

# FPC-3500

Robust Vehicle Computer with Intel® Atom™ D525 Platform



## Features

- Ultra Low Power and Fanless Design
- 2 x RS-232 and 2 x RS-232/422/485 Serial ports with 12V Power Output
- Smarter Ignition Power On/Off, Delay-time and Low Voltage Protection
- Over-voltage and Reversed Power Input Protection
- Isolated Digital I/O with +12/+5V Power Output
- Multiple Wireless Communication Module (3.75G, GSM/GPRS, WLAN)
- Wide Range DC Power Input (6~32V)
- Multiple Expansion (1 x PCIe x1, 1 x CF, 1 x SD, 1 x SIM)
- Rugged Design for Shock/Vibration Protection
- Easy Installation/Maintenance

## System

<b>CPU</b>	Soldered onboard Intel® Atom™ D525 1.8GHz CPU
<b>Memory</b>	2 x 204-pin Dual channel DDR3 SO-DIMM sockets up to 4GB at 800MHz
<b>Chipset</b>	Intel® Atom™ D525 + ICH8M
<b>Graphics</b>	Integrated Intel® GMA3150
<b>SATA</b>	2 x Serial ATA ports with 300MB/s HDD transfer rate
<b>Connectivity</b>	GPS module (SiRF Star III solution) (optional) 802.11 b/g/n Wireless Mini-card (optional) HSUPA (3.75G) Mini-card (optional)

**Watchdog Timer** 1~255 levels reset

## I/O

<b>Serial Port</b>	2 x RS-232 and 2 x RS-232/422/485 ports
<b>USB Port</b>	6 x USB2.0 ports (2 x waterproof LTE connectors for 4 USB 2.0 ports)
<b>LAN</b>	1 x RJ-45 for Gigabit Ethernet
<b>Video Port</b>	2 x DB-15 female connectors for Analog RGB (Clone mode) 1 x DB-26 male connector for single/dual channel 18/24-bit LVDS output
<b>Digital I/O</b>	1 x 16-bit digital I/O (8 in/8 out) 1 x DB-26 female connector for 8-in/ 8-out isolated I/O and +12/+5V power output (rating 1A, PTC FUSE 2~2.5A) 4 x SMA-Female connectors with cap for external antennas, two for WiFi, one for mobile wireless (HSUPA), one for GPS
<b>Antenna</b>	
<b>Audio</b>	Mic-in/Line-out (6W pre-amplified)
<b>Expansion Bus</b>	1 x PCIe x1 slot 1 x Mini-card slot 1 x Mini-card slot interconnect with SIM card socket for HSUPA module 1 x SIM card socket (outside accessible)

## Environmental

<b>Operating Temp.</b>	-25 ~ 55°C (-13 ~ 131°F), ambient w/ air flow
<b>Storage Temp.</b>	-40 ~ 85°C (-40 ~ 185°F)
<b>Relative Humidity</b>	10 ~ 95% @ 40°C (non-condensing)
<b>Vibration</b>	EN50155-T1 and EN61373: 1999 Class B standard compliant
<b>Shock &amp; Crash</b>	EN50155-T1 and EN61373: 1999 Class B standard compliant

## Qualification

<b>Certification</b>	CE, FCC, e1 Mark
----------------------	------------------

## Power Requirement

<b>Power Input</b>	DC input 6~32V w/ 3-pin terminal block
<b>Power Output</b>	2 x 1-pin lockable jack for 12V/1A power output
<b>FUSE</b>	1 x FUSE receptacle w/ cover (outside accessible)
<b>Power Consumption</b>	25W with 15 Amp.

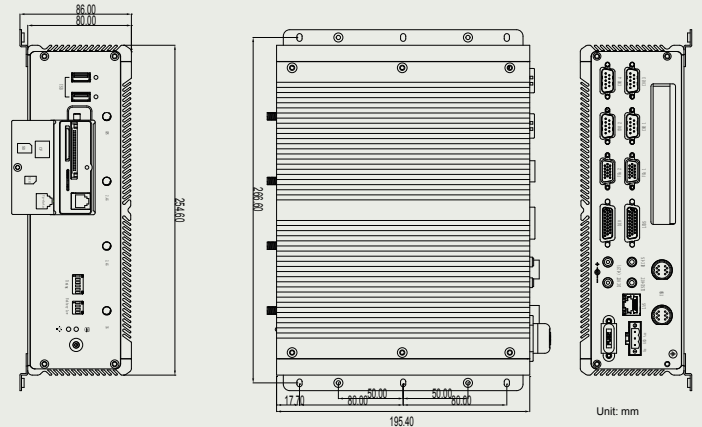
## Storage

<b>Type</b>	1 x 2.5" drive bay for HDD/SSD 1 x CompactFlash Type II Socket (outside accessible) 1 x SD socket (outside accessible)
-------------	--

## Mechanical

<b>Construction</b>	Aluminum alloy
<b>Mounting</b>	Support wall-mounting
<b>Weight</b>	3.72 kg (8.2lb)
<b>Dimensions (W x D x H)</b>	254 x 195 x 80 mm (10" x 7.68" x 3.15")

## Drawing



## Ordering Information

<b>FPC-3500B</b>	Vehicle BOX Barebone w/o memory & storage
<b>FPC-3500A</b>	Vehicle Advanced Barebone with HSUPA, GPS, WiFi module
<b>WMK-5000</b>	Wall-mount kit
<b>FK-35G</b>	GPS kit, w/ module, antenna, cable
<b>FK-35F</b>	WiFi kit, w/ module, antenna, cable
<b>FK-35H</b>	HSUPA kit, w/ module, antenna, cable
<b>SSD-25080</b>	Intel® 2.5" 80GB SATAII SSD kit

All specifications are subject to change without notice.