

**INPUT CHARACTERISTICS:****ARD / I – 2/4/6400F**

- VOLTAGE: 90 – 132 VAC / 180 ~ 264 VAC SWITCHABLE
- FREQUENCY : 47 ~ 63 Hz
- INPUT CURRENT: 5.0 / 2.5A FOR 115 / 230 VAC PER POWER MODULE ( PARALLEL )
- INRUSH CURRENT: 50A / 100A MAX. FOR 115 / 230 VAC

**OUTPUT CHARACTERISTICS:**

OUTPUT VOLTAGE	OUTPUT CURRENT			REGULATION		OUTPUT RIPPLE & NOISE MAX. [P-P]
	MIN.[A]	MAX.[A]	PEAK(A)	LOAD	LINE	
5V**	7.0	20~36	40	± 5%	± 1%	60mV
12V**	2.5	17	20	± 8%	± 1%	120mV
-5V***	0	0.8	1	±10%	± 1%	120mV
-12V***	0	0.8	1	-10%~+10%	± 1%	150mV
3.3V*	3.0	0~25	30	± 5%	± 1%	60mV
+5VSB	0	1.0	1.2	± 5%	± 1%	50mV

\* MANUFACTURER SET AT 3.45 V

\*TOTAL OUTPUT OF +5V AND + 3.3V NOT EXCEED 180 W

\*\* For ARD/I / H – 2400F ; \*\*&amp;\*\*\* For ARD/ I / H – 4400F

Total output max:400W

- TEMPERATURE RANGE: OPERATING 0 --- 40
- HOLD UP TIME: 16 ms MINIMUM AT FULL LOAD & NORMAL INPUT VOLTAGE
- DIELECTRIC WITHSTAND: INPUT / OUTPUT 1500 VAC FOR 1 SECOND  
INPUT TO FRAME GROUND 1500 VAC FOR 1 SECOND
- EFFICIENCY: 65% TYPICAL, AT FULL LOAD
- POWER GOOD SIGNAL: ON DELAY 100 ms TO 500 ms, OFF DELAY 1 ms
- OVER LOAD PROTECTION: 130 +/- 20%
- OVER VOLTAGE PROTECTION:  
**+5V → 6.0V ~ 7V, 3.3V → 4.0 ~ 4.5V, ( EACH POWER MODULE )**
- OVER CURRENT PROTECTION : SHORT CIRCUIT
- EMI NOISE FILTER: FCC CLASS B, CISPR22 CLASS B
- SAFETY: UL 1950, CSA 22.2 NO/ 950, TÜV IEC 950
- REMOTE ON / OFF CONTROL  
THE UNIT SHALL ACCEPT A LOGIC OPEN COLLECTOR LEVEL WHICH WILL DISABLE / ENABLE ALL THE OUTPUT VOLTAGE (EXCLUDE +5V STANDBY), AS LOGIC LEVEL IS LOW, OUTPUTS VOLTAGE WERE ENABLE, AS LOGIC LEVEL IS HIGH, OUTPUTS VOLTAGE WERE DISABLE.
- HOT-SWAPPABLE / HOT-PLUGGABLE REDUNDANCY FUNCTION
- BALANCE LOAD SHARING DESIGN
- REMOTE SENSING DESIGN
- ISOLATION: BUILT-IN IN THE POWER MODULE
- PASSIVE BACKPLANE DESIGN
- DIMENSION: **ARD: 153(W) x 212(H) x 190(D); ARI: 167(W) x 189(H) x 190 (D);**
- CONNECTION: 48 PINS CONNECTOR (EPT PART NO. 109-40064 OR EQUIVALENT)  
6 PINS CONNECTOR (POSITRONIC PART NO. PLB06M8000 OR EQUIVALENT) OPTIONAL FOR INPUT SOURCE FROM REAR SIDE
- I<sup>2</sup>C COMMUNICATION ABILITY (OPTIONAL)

1

2

3

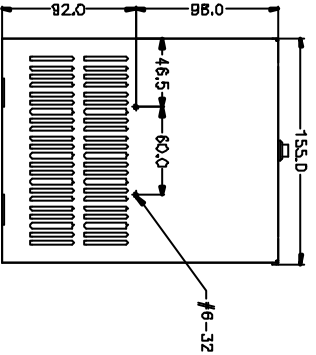
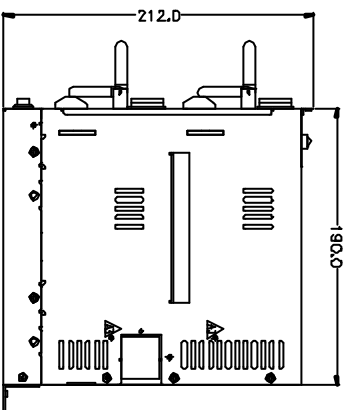
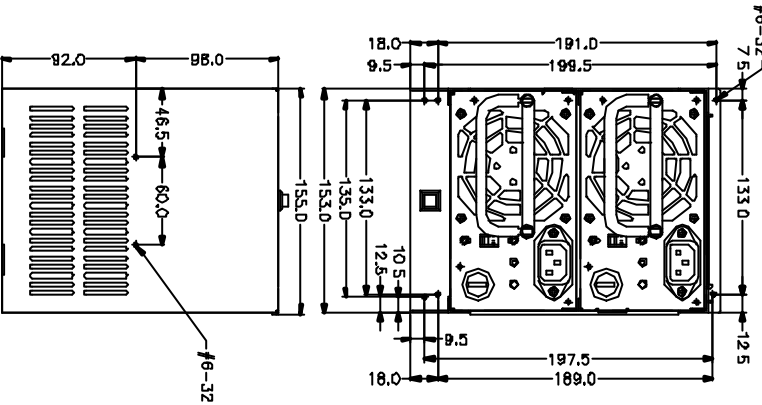
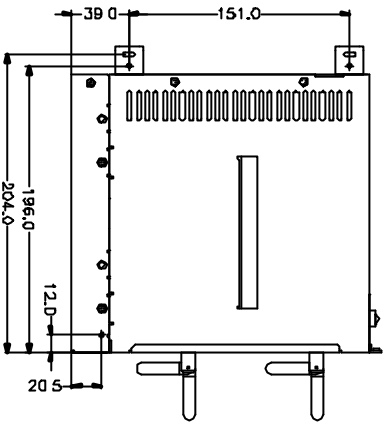
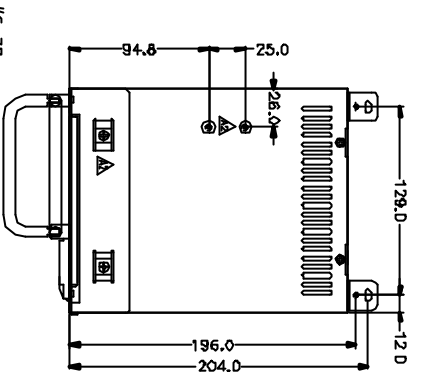
4

5

6

7

REV	DESCRIPTION	DATE
A2	增加2孔,修改固定架	99-7-1
A3	增加垫片抽牙孔	99-8-1



公差: TOLERANCES:	XXX ± 0.25 XX ± 100 X ± 250
倒角: FILLET:	R3
投影视: PROJECTION:	第三角法

材料规格: MATERIAL:	
批准者: APPROVE BY:	
检查者: CHECK BY:	
日期: DATE:	

品名: MODEL NO:	ARD 外觀尺寸圖
零件: PART NO:	
圖號: DRAWING NO:	ARD0MA00
圖號: DRAWING NO:	ARD0MA00
單位: UNITS:	mm
圖號: DRAWING NO:	A3
圖號: DRAWING NO:	A0
圖號: DRAWING NO:	OF


**新巨企業股份有限公司**  
 ZIPPY TECHNOLOGY CORP.  
 POWER DIVISION