

# PSII Type 1+1 Mini Redundant Power Supply

ATX12V

## EPR-2301

**300+300 watts Output power**  
**1+1 Redundant Configuration**  
**PSII Mini Redundant Power**  
**Meet 4U Rackmount Application**



Dimensions: 150(W) x 86(H) x 175(D) mm

### Features:

- ⦿ Universal Power Input
- ⦿ Front panel LED to Indicate Power Status
- ⦿ Available for Dual AC Input Type
- ⦿ Remote DC Sense on +5V and +3.3V
- ⦿ Power Fault Alarm Signals
- ⦿ Over Voltage Protection
- ⦿ Over Current Protection
- ⦿ Over Power Protection
- ⦿ Short Circuit Protection
- ⦿ MTBF >100,000 Hours

### General Specifications:

- ⦿ Input Range: 115 / 230 VAC,
- ⦿ Power Factor: 0.95 minimum
- ⦿ Efficiency: 65% minimum, at full load
- ⦿ Hold up Time: 20mS minimum, at full load
- ⦿ PSON (Remote ON/OFF): TTL compatible signal
- ⦿ Power Good: 100 to 500 ms, TTL compatible signal
- ⦿ Cooling Fan: 60x60x20 mm
- ⦿ Operating Temperature: 0 to 45 °C
- ⦿ Operating Humidity: 20 to 90 %

### Electrical Specifications:

#### Regulation, Ripple & Noise:

Output	+5V	+3.3V	+12V	-5V	-12V	5Vsb
Load Regulation	± 5%	± 5%	± 5%	± 10%	± 10%	± 5%
Cross Regulation	± 5%	± 5%	± 5%	± 10%	± 10%	± 5%
Line Regulation	± 1%	± 1%	± 1%	± 1%	± 1%	± 1%
Ripple & Noise	50mV	50mV	120mV	100mV	120mV	50mV

#### Input and Output Ratings:

Voltage	Input		Watt	Load	Output					
	Frequency	Current			+5V	+3.3V	+12V	-5V	-12V	5Vsb
115/230 VAC	50/60 Hz	6/3 A max	300W	Max Load	36A	16A	14A	0.5A	1.0A	2A
				Min Load	3A	0A	1A	0A	0A	0A

Note: 1. The +5 & +3.3 Volt combine total output shall not exceed 36A.

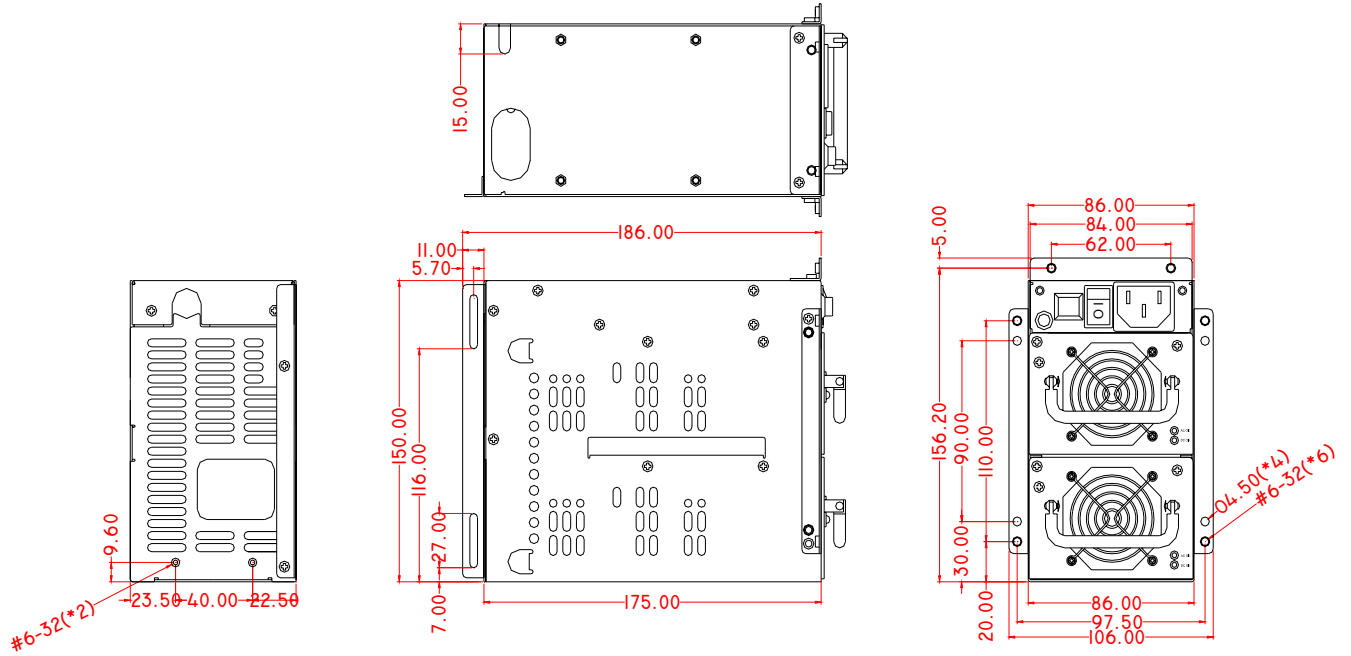
2. The +5, +3.3 and +12 Volt combine total output shall not exceed 280W.

3: Noise bandwidth is from DC to 20 MHz.

**PSII Type 1+1 Mini Redundant Power Supply**

**EPR-2301**

**Dimensions (Unit: mm):**



Rev: 1.3 June.16, 03