



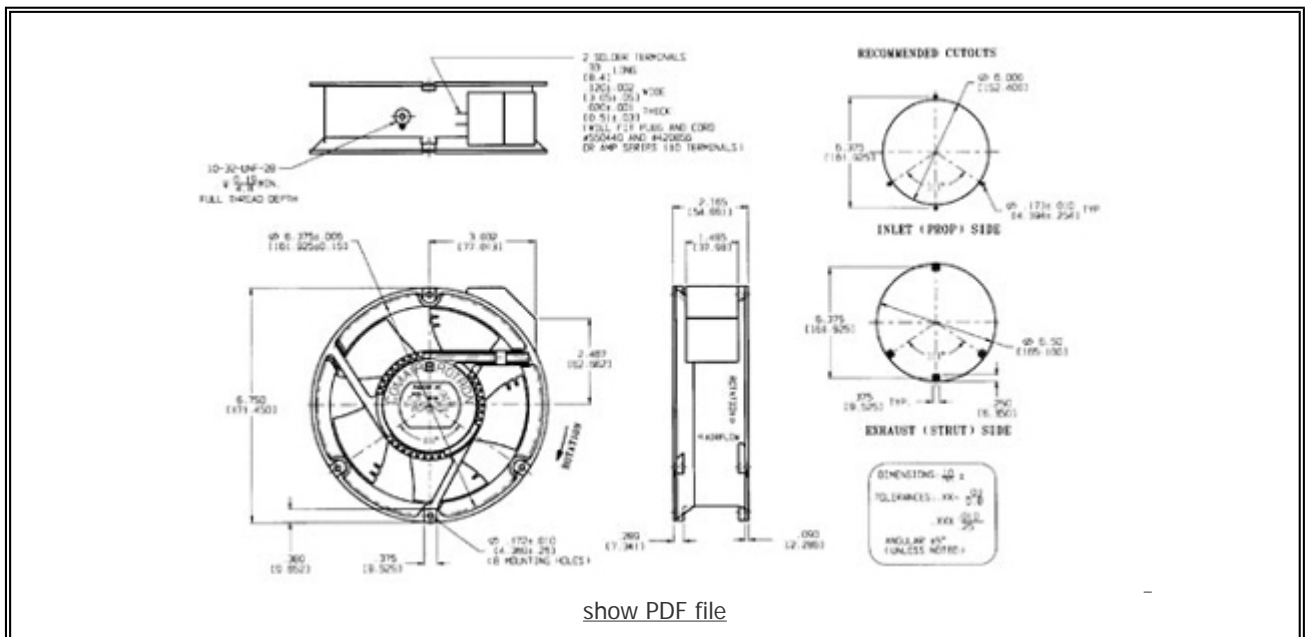
Falcon AC (AC Fan)

COMAIR ROTRON PART NUMBER: **031660**
 COMAIR ROTRON MODEL NUMBER: **FA77B3**

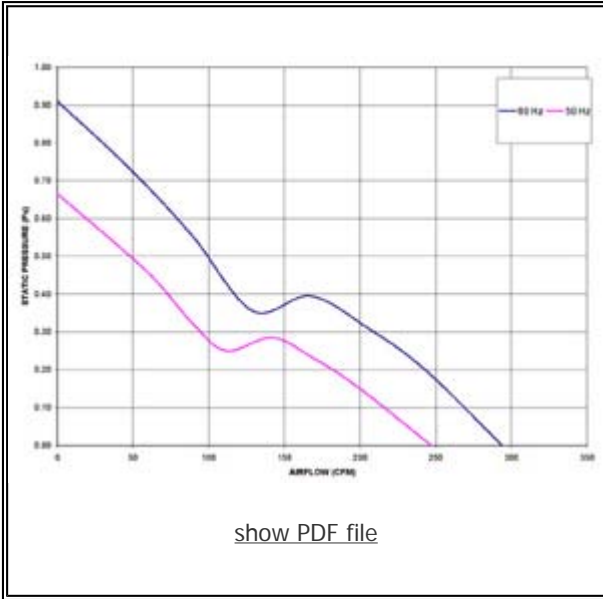


MOTOR	
Rated Voltage:	220/230
Operating Voltage Range:	
Running Current: 50Hz 60Hz (amps)	0.18 0
Locked Rotor Current: (amps)	0.36
Rated Power: 50Hz 60Hz (watts)	0 0
Nominal Speed: 50Hz 60Hz (rpm)	3350 0

MECHANICAL	
Dimensions:	172mm x 55mm (6.75in x 2.165in)
Bearing Type:	Ball
Motor Base:	Metal
Propeller:	Polycarbonate



NOTES



PERFORMANCE CHARACTERISTICS

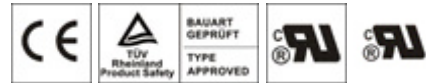
Air Flow: (CFM) 250/300

Static Pressure: .665/.910

TERMINATION

Leadwires: Terminals

SAFETY



All product names are used under license and are trademarks or registered trademarks of Comair Rotron, Inc.

[New Search](#)

