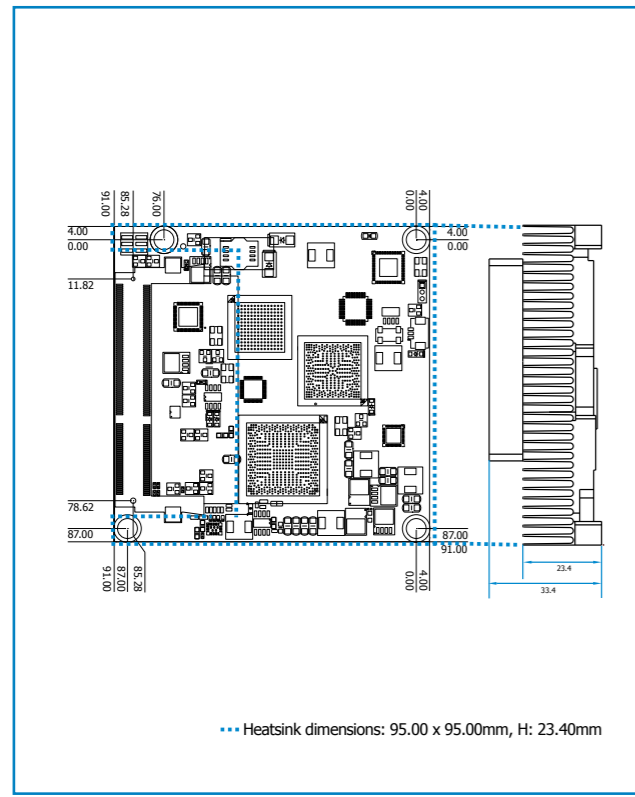


Features	
CHIPSET	Intel® NM10
CPU	Intel® Atom™ D2700 (-B2700) Intel® Atom™ N2800 (-B2800) Intel® Atom™ N2600 (-B2600)
MEMORY	1 DDR3 SODIMM up to 2GB
EXPANSION	4 PCIe x1, 4 PCI, 8 USB, 8-bit DIO, 1 IDE
GRAPHICS	1 VGA, 1 LVDS
LAN	1 Gigabit LAN
DIMENSIONS	95mm x 95mm (3.74" x 3.74")

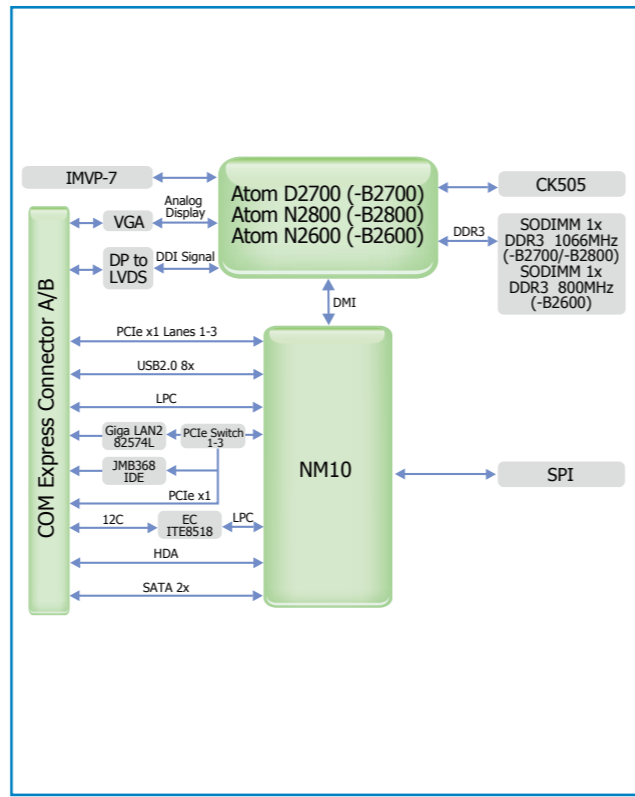
Specifications

- PROCESSOR**
- CD905-B2700:
 - Intel® Atom™ D2700, 2.13GHz, 2x 512K L2, 10W TDP, dual-core
 - Cooling option: heatsink with cooling fan
 - CD905-B2800:
 - Intel® Atom™ N2800, 1.86GHz, 2x 512K L2, 6.5W TDP, dual-core
 - Cooling option: heatsink (fanless solution)
 - CD905-B2600:
 - Intel® Atom™ N2600, 1.6GHz, 2x 512K L2, 3.5W TDP, dual-core
 - Cooling option: heatsink (fanless solution)
- CHIPSET**
- Intel® NM10 Express chipset
- SYSTEM MEMORY**
- One 204-pin DDR3 SODIMM socket
 - Supports DDR3 1066MHz (Intel® Atom™ D2700/N2800)
 - Supports DDR3 800MHz (Intel® Atom™ N2600)
 - Supports single channel memory interface
 - Supports up to 2GB system memory
 - DRAM device technologies: 1Gb, 2Gb and 4Gb DDR3 DRAM technologies are supported for x8 and x16 devices, unbuffered, non-ECC
- ONBOARD GRAPHICS FEATURES**
- Intel® GMA 3650 (Intel® Atom™ D2700/N2800)
 - Intel® GMA 3600 (Intel® Atom™ N2600)
 - Supports LVDS and VGA interfaces
 - LVDS: Chrontel CH7511B, 24-bit, dual channel
 - VGA display resolution up to 1920x1200
 - Supports Hardware H.264/AVC, MPEG-2 video decoder, VC-1, DirectX 9, 1080p decoder
- ONBOARD AUDIO FEATURES**
- Supports High Definition Audio interface
- ONBOARD LAN FEATURES**
- Intel® 82574 Gigabit Ethernet Controller
 - Integrated 10/100/1000 transceiver
 - Fully compliant with IEEE 802.3, IEEE 802.3u, IEEE 802.3ab
 - Supports wire management
- SERIAL ATA (SATA) INTERFACE**
- Supports 2 Serial ATA interfaces
 - SATA 2.0 with data transfer rate up to 3Gb/s
 - Integrated Advanced Host Controller Interface (AHCI) controller
- WATCHDOG TIMER (optional)**
- Watchdog timeout programmable via software from 1 to 256 seconds
- EXPANSION INTERFACES**
- Supports 8 USB 2.0 ports
 - Supports 4 PCIe x1 interfaces
 - Supports 4 PCI interfaces
 - Supports 8-bit Digital I/O
 - Supports 1 IDE interface
- DAMAGE FREE INTELLIGENCE**
- Monitors CPU temperature and overheat alarm
 - Monitors CPU fan speed and failure alarm
 - Monitors V_{core}/V_{gfx}/1.5V voltages and failure alarm
 - Watchdog timer function
- BIOS**
- 16Mbit SPI BIOS
- TEMPERATURE**
- Operating: 0°C to 60°C
 - Storage: -20°C to 85°C
- HUMIDITY**
- 10% to 90%
- POWER INPUT**
- 12V, 5VSB, VCC_RTC (ATX mode)
 - 12V, VCC_RTC (AT mode)
- REGULATORY**
- EMC: CE, FCC Part 15 Class B
- PCB**
- Dimensions
 - COM Express Compact
 - 95mm (3.74") x 95mm (3.74")
 - Compliance
 - PICMG COM Express R2.0, Type 2

Mechanical Drawing



Block Diagram



Packing List

- 1 CD905-B board
- 1 Heat sink
- 1 DVD
- 1 QR (Quick Reference)

Optional Items

- COM330-B carrier board kit
- Cable kit for carrier board