

SRM-KIT 05A/07A/09A

12.1", 15", 17" Sun Readable LCD Kit

First-class integrated solution for outdoors application!!



Ship with auto dimming kit for system integrated application



Ship with VGA cable and power adapter



SRM-KIT05A



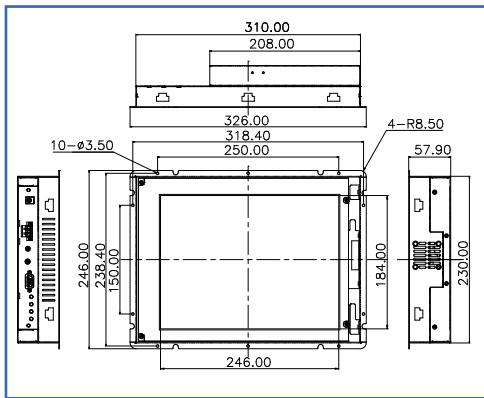
SRM-KIT07A



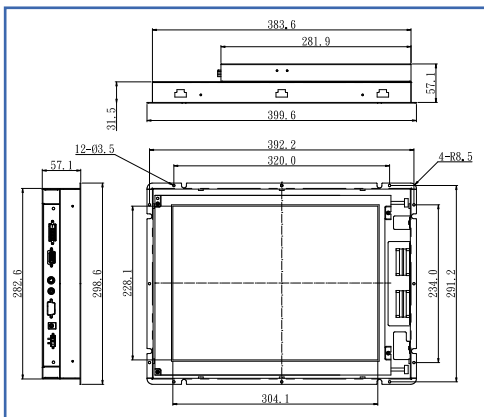
SRM-KIT-09A-R2



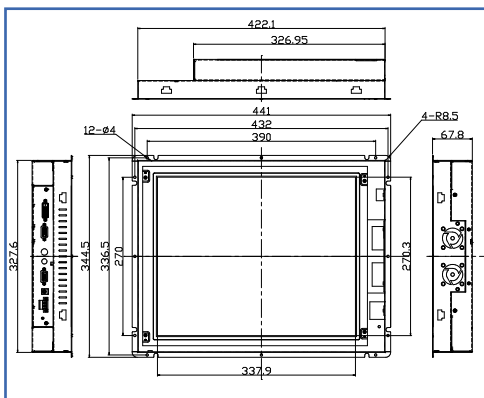
Dimensions:SRM-KIT05A



Dimensions:SRM-KIT07A



Dimensions:SRM-KIT09A-R2



SPECIFICATIONS

- ◆ SRM LCD Display Kits are with the Sun-Readable Ultra High Brightness LCD which is best suitable outdoor use.
- ◆ Side cabling design reduces the LCD kit's total thickness.
- ◆ Ship with Power Adapter for 90V~264V AC input
SRM-KIT05A/ 07A: 60W Power adapter (+12V@5A)
SRM-KIT09A-R2: 80W Power adapter (+12V@6.66A)
- ◆ OSD control keys to adjust the best display quality (on the rear side)
- ◆ VGA signal input with convert board
- ◆ Ship with auto-dimming kit, display brightness could be adjusted to light source automatically .

Model	SRM-KIT05A	SRM-KIT07A	SRM-KIT09A-R2
LCD Type	12.1" TFT	15" TFT	17" TFT
Resolution	800x600	1024 x 768	1280x1024
Max. Colors	262K	262K	16.7M
Brightness	1308cd/m ²	1750cd/m ²	1000cd/m ²
LCD MTBF	50,000 hrs	50,000 hrs	50,000 hrs
Backlight MTBF	25,000 hrs	25,000 hrs	25,000 hrs
VGA Input Interface	VGA	VGA+DVI	VGA+DVI
Storage temperature	-20~60°C	-20~60°C	-20~60°C
Operation temperature	0~40°C	0~40°C	0~40°C
Net/GW (kg)	3/7	4/8.2	7/11
Video Input I/F	DB15	DB15, DVI-I	DB15, DVI-I
Power Input Rating	12V DC	12V DC/24V DC	12V DC/24V DC

ORDERING INFORMATION

- SRM-KIT05A VGA Input 12.1" Sun Readable LCD kit
- SRM-KIT07A VGA Input 15" Sun Readable LCD kit
- SRM-KIT09A-R2 VGA Input 17" Sun Readable LCD kit

Option:

- STAND-100 LCD Monitor stand for 3~8kg
- CB-DVI-D DVI-D (M) to DVI-D (M) single link cable for 15", 17" SRM Kit model

Note: Contact supplier for video input function