

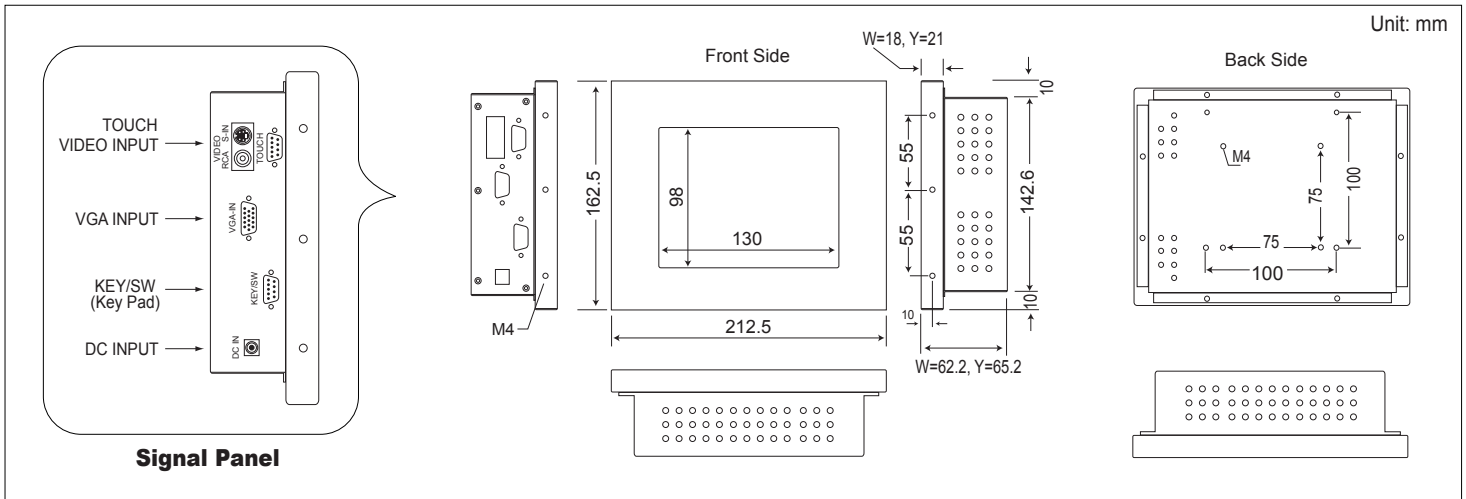
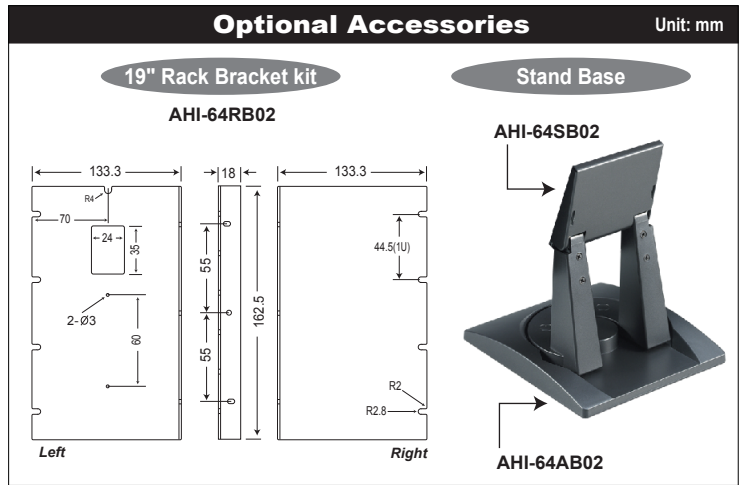
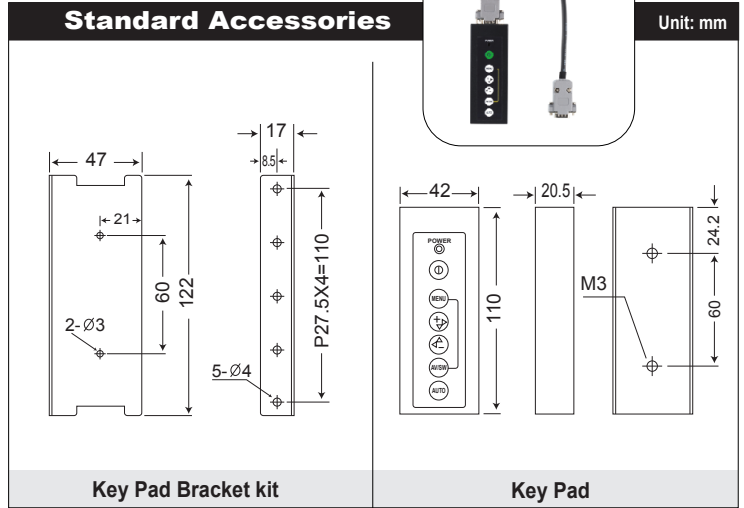
The Versatile 6.4" TFT LCD Color Monitor



IO Net



MODEL NO.	HI-64W12P	HI-64Y12P
Viewing area	6.4"	
Touch Panel	NO	YES(ELO)
Pixel Pitch	0.203 X 0.203 mm	
Resolution	640 X 480 VGA	
Effective display area	129.6 X 97.44mm	
Color	262,144	
Response time(tr/tf)	30/50ms	
Contrast ratio	120:1	
Brightness	300 cd/m ²	
View angle	T:15° B:35° L:55° R:55°	
Backlight	2CCFL	
Lamp Life	20000hrs	
Input Signal	Analog VGA & Video	
Input Connector	D-Sub 15Pin, RCA Jack, S-VHS Din Type	
Scan frequency	H:31.5~37.5KHz / V:60~72Hz	
Control	OSD	
Power adaptor input	Universal AC 100~240 V, 50/60Hz	
Adaptor output	DC 12V	
Power Management	VESA DPMS Standard	
Consumption	16W / Stand by 2.5 w	
Operating Temperature/Humidity	0 ~ 40°C / 10 ~ 85%RH	
Storage Temperature/Humidity	-20 ~ 60°C / 10 ~ 90%RH	
Sync Signal	TTL Level +/- Polarity	
Scanning	Non-Interlace	
Dimension (mm)(WxHxD)	212.5 x 162.5 x 62.2	212.5 x 162.5 x 65.2
Net Weight(Kg)	1.5	1.8
Safety & EMI	CE	
Vibration	10Hz / One-way 1m/m	
Pixel (MHz)	31.5 MHz	
Content	LCD Monitor, Key Pad, Power Adaptor, VGA Cable	



Specification subject to change without notice.