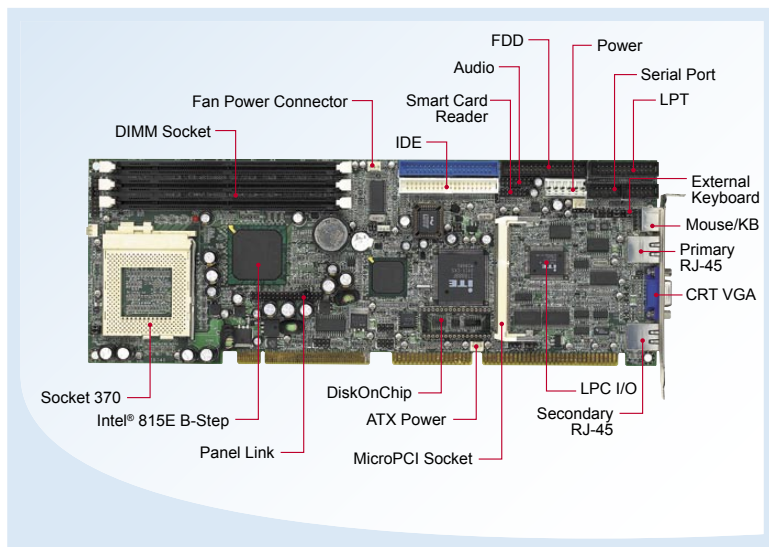


CPU Cards

IB745

Socket 370 Full-Size CPU Card w/ Intel® 815EB Chipset

Pentium® III-Based



>> Features

- Supports Pentium® III / Celeron® processors
Up to 1.4GHz, 66/100/133MHz FSB
- SDR DIMM x 3, Max. 512MB
- Chipset integrated VGA, shared memory
- ICH2 integrated 10/100 BaseT Ethernet
- 4 x USB 1.1, ISA High Drive, Watchdog timer
- DiskOnChip®, 1 x MicroPCI socket

System

CPU	Socket 370 for Pentium® III / Celeron®, up to 1.4GHz
System Memory	SDR DIMM x 3, Max. 512MB
System Chipset	Intel® 815EB, 66/100/133MHz FSB
BIOS	Award 2Mbit
Watchdog Timer	256 levels
SSD	DiskOnChip®
H/W Monitor	Yes
Expansion Slot	One MicroPCI socket

Graphics

VGA Controller	GMCH VGA for CRT
VGA Memory	Shared memory 4MB display cache (optional)
LCD Interface	via optional MicroPCI card, optional TMDS

Ethernet

LAN Controller	ICH2 integrated LAN, 10/100Mbps Optional 2nd LAN via MicroPCI
Connector	2 RJ-45 on board

Multi I/O

Chipset	ITE8712 2x IDE (UDMA33/66/100), 1x FDD, 1x KB, 1x Mouse, 1x RS-232, 1x RS-232/422/485, 1x LPT
USB	Pin header for 4 ports (USB 1.1)
Audio	Optional AC97
Others	IrDA

Mechanical and Environmental

Dimensions	338mm x 122mm (13.31" x 4.8")
Max. Power Requirement	+5V: 15A +/- 12V: 200mA
Operating Temperature	0°C~60°C (32°F~140°F)
Storage Temperature	-20°C~80°C (-68°F~176°F)
Relative Humidity	10%~90% (non-condensing)

Ordering Information

IB745	Socket 370 Full-Size Intel® 815EB CPU card w/ VGA and Ethernet *
IB745A	Socket 370 Full-Size Intel® 815EB CPU card w/ IBD741A audio card
IB745D	Socket 370 Full-Size Intel® 815EB CPU card w/ 4MB display cache
IB745F	Socket 370 Full-Size Intel® 815EB CPU card w/ 4MB display cache, IBD741 audio/TMDS card

* Remarks: Optional MicroPCI interface cards are available.