



EasyBoard-733E

Intel® Atom™ N270 3.5" Compact Board



Features

- **Fanless Design**
- Soldered Onboard Intel® Atom™ N270 Processor
- Dual Gigabit Ethernet Ports
- Dual Channels 24-bit LVDS, TV-out, and Analog RGB
- Support Dual Independent Displays
- **Wide Range Operating Temp.: -40 ~ 85°C**

System

CPU	Intel® Atom™ N270 1.6GHz processor with 533MHz FSB
Memory	1 x 200-pin DDR2 SO-DIMM Socket, supporting 533MHz SDRAM up to 2GB
Chipset	Intel® 945GSE + ICH7M
BIOS	AMI PnP Flash BIOS
Watchdog Timer	1~255 levels reset

I/O

I/O Chip	Winbond W83627HG
Serial Port	2 x COM ports (1 x RS-232, 1 x RS-232/422/485 selectable)
Parallel Port	SPP/EPP/ECP mode selectable
USB Port	6 x USB 2.0 ports
KB/MS	6-pin wafer connector for keyboard and mouse (PS/2 standard via Y-cable)
Digital I/O	8-bit programmable Digital I/O
Expansion Bus	1 x Mini-PCI socket LPC (Low Pin Count) connector

Storage

1 x Ultra ATA, supporting 2 IDE devices

2 x Serial ATA ports with 150MB/s HDD transfer rate

Ethernet Chipset

2 x Realtek RTL8111 PCIe Gigabit Ethernet controllers

Audio Interface

Realtek ALC655 6 Channel AC97 Audio CODEC, Mic-in/ Line-in/Line-out

Display

Graphics Chipset Integrated Intel® Graphics Media Accelerator 950

Analog RGB: up to 2048 x 1536 @60Hz

LCD: Dual channels 24-bit LVDS, up to 1600 x 1200

Graphics Interface

TV-out: NTSC/PAL up to 1024 x 768

Support Dual Independent Displays

Mechanical & Environmental

Power Requirement +12V input

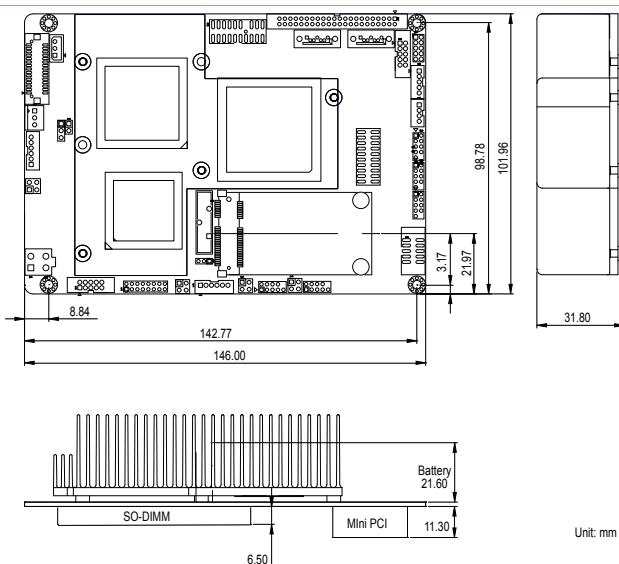
Power Consumption 1.12A@+12V (Typical)

Operating Temp. -40 ~ 85°C (-40 ~ 185°F)

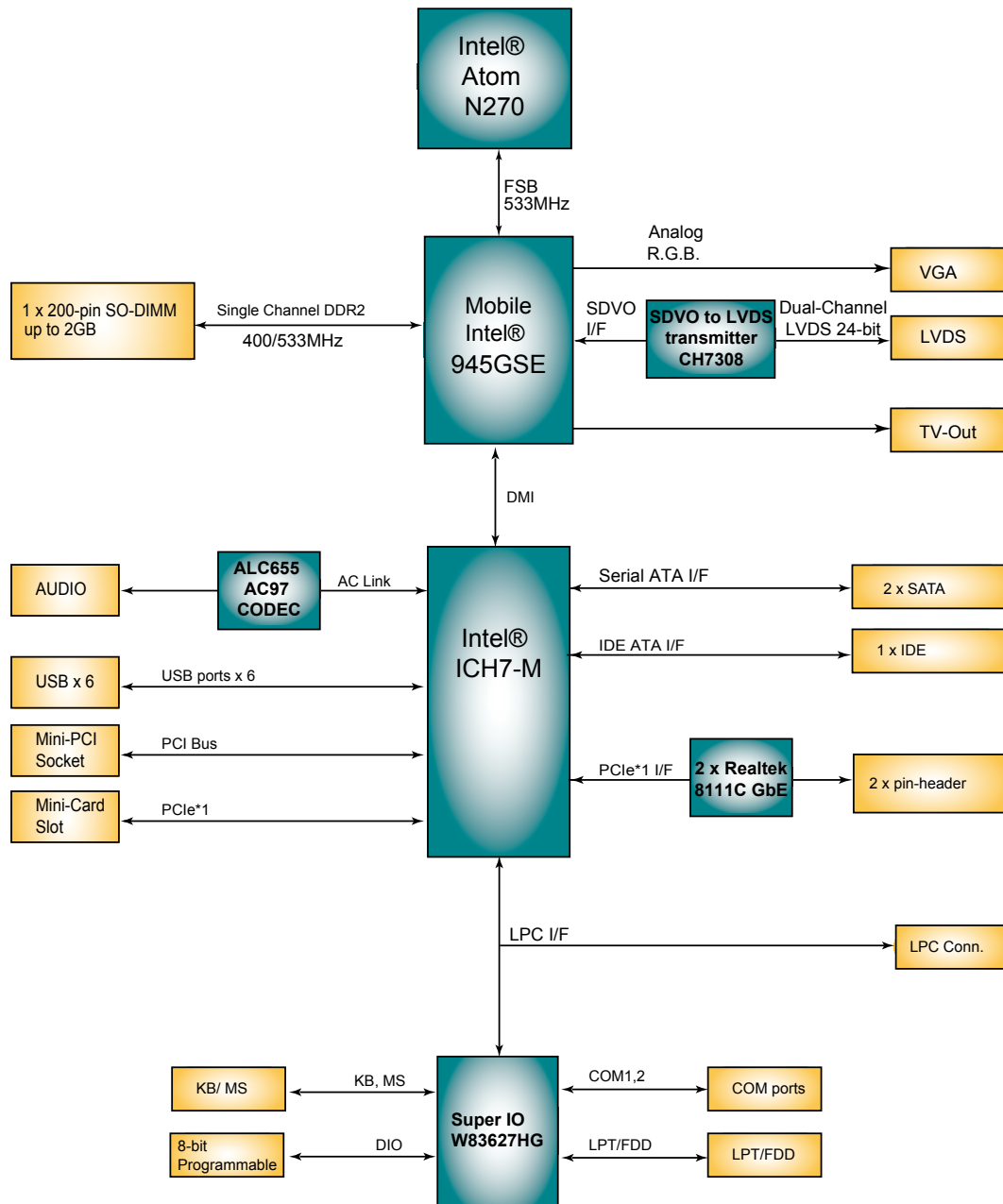
Operating Humidity 0 ~ 90% (non-condensing)

Dimension (L x W) 146 x 102 mm (5.7" x 4.0")

Dimensions



Block Diagram



Ordering Information

EasyBoard-733E

Intel® Atom™ N270 1.6GHz 3.5" compact board

FCDB-1293

4 x COM ports, 8-bit Digital I/O daughterboard

See Appendix

CBK-11-2709-00

Cable kit

- 1 x Audio cable
- 2 x COM port cables
- 1 x IDE cable
- 1 x KB & MS cable
- 2 x LAN cables
- 1 x LPT to FDD cable
- 1 x Parallel Port cable
- 2 x SATA cables
- 1 x TV-out cable
- 3 x USB cables
- 1 x VGA cable