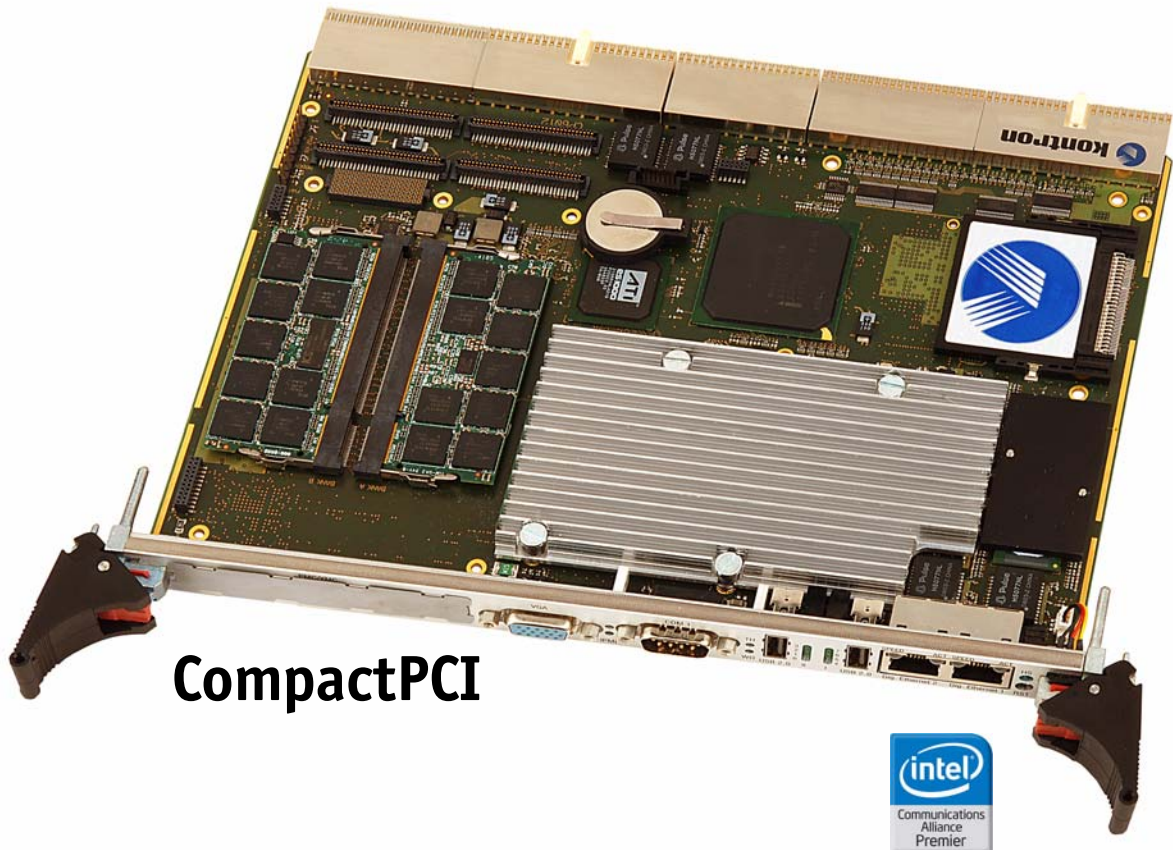




# CP6012<sup>64</sup>

6U Intel® Core™2 Duo Processor PICMG 2.16 Blade



**CompactPCI**



➤ **Highest Performance / Watt**

Intel® Core™2 Duo processor, 2.16 GHz, T7400

➤ **Highest Memory Density**

Up to 4 GByte dual-channel, DDR2, 400 MHz memory

➤ **Highest Versatility**

Comprehensive I/O capabilities: GigEthernet, PMC/XMC, USB, VGA, SATA, CompactFlash ...

# ➤ The Power of Intel® Core™2 Duo

## Boost to the next level of processing power ...

Explore the power and the potential of two cores in one processor with Kontron's CP6012<sup>64</sup> based on the 64-bit Intel® Core™2 Duo processor.

The CP6012<sup>64</sup>, a 6U CompactPCI CPU board with a 64-bit Intel® Core™2 Duo processor, meets the highest performance demands. Combined with the E7520 and 6300ESB chipset, it handles server-like data throughput and provides next generation bandwidth capabilities.

### Greater Performance / Watt

Compared to previous processor designs the dual-core technology allows approximately twice the performance at similar power consumption.

The PICMG 2.16-compliant Kontron CP6012<sup>64</sup> offers up to 4 GB dual-channel 400 MHz DDR2 registered ECC SDRAM (via two 200-pin SODIMM sockets), providing up to 6.4 GB/sec data throughput. The CP6012<sup>64</sup> is designed for bandwidth-

intensive applications and thanks to hot-swap support and IPMI (PICMG 2.9-compliant Intelligent Platform Management Interface) the CPU board meets the highest demands for the management of high-availability applications. Many of these are data and tele-communications applications, but also include highly sensitive, security-related solutions as well as image processing systems in medical technology and other vertical industries.

### Unique Versatility

The highly integrated CP6012<sup>64</sup> features a XMC site according to XMC.3 supporting x8 PCI Express (alternatively a 64/66 PCI PMC site), an onboard 2.5-inch SATA hard disk and CompactFlash - all usable at the same time in a single slot.

The Intel 6300ESB I/O Controller Hub provides advanced I/O technology including USB 2.0 and Serial ATA150. Four Gigabit Ethernet ports (2x ports at the front and 2x for full PICMG 2.16

support) provide comprehensive connectivity capabilities, enabling innovative applications today by offering enough headroom for the emerging next generation requirements.

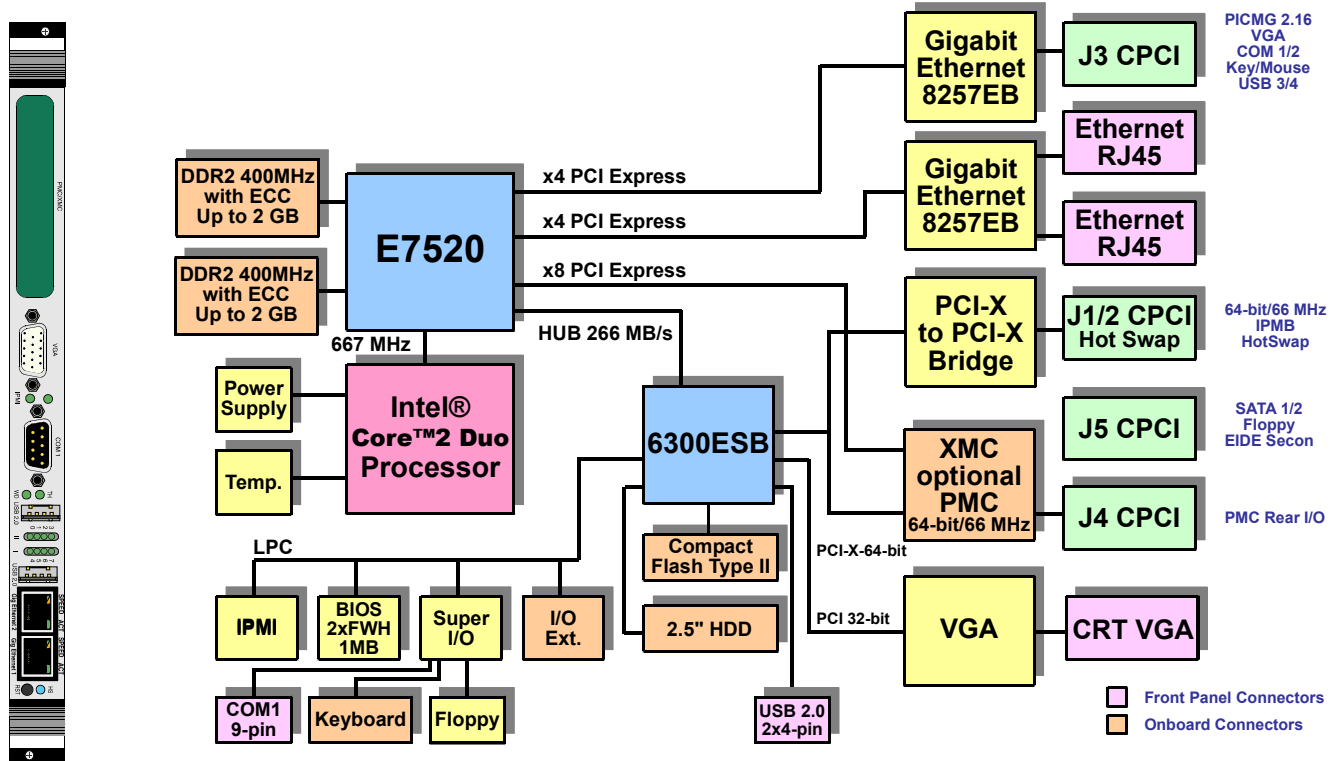
Highly versatile, the CP6012<sup>64</sup> can be used in a system or peripheral slot. A rich set of LEDs at the front panel for debug and diagnose, as well as full rear I/O connectivity completes the CP6012<sup>64</sup>.

### Longterm Availability

Delivering a stable product based on Intel's embedded product line, the CP6012<sup>64</sup> ensures long term availability. This eliminates the risk of unplanned design changes and unexpected expensive application modification.

While minimizing deployment risks, the CP6012<sup>64</sup> provides a broad range of software support to ease the process of product integration and maximize the competitive advantage of meeting the time-to-market window.

## ➤ Front Panel      ➤ Functional Block Diagram



# ➤ Specification

## ... and achieve unprecedented versatility

### Processor

Intel® Core™2 Duo processor in micro-FCBGA package (65nm manufacturing process)

- T7400: 2.16 GHz, 667 MHz FSB, 4 MB L2, FCBGA
- L7400: LV 1.5 GHz, 667 MHz FSB, 4 MB L2, FCBGA

All board versions are provided with a passive heatsink within 4HP height. Forced air cooling at a specific flow rate is required.

### Memory Controller

Intel® E7520 supporting various RASUM features

### Memory

- Up to 4 GB DDR2 400 MHz dual channel registered SDRAM w/ ECC via two 200-pin SODIMM sockets for max. 6.4 GByte/sec data throughput
- 2 redundant 1 MB Firmware Hubs (FWH) for BIOS
- 8 kB for storing CMOS data when operating without battery

### I/O

- Four 10/100/1000 MB/s Gigabit Ethernet ports based on two Intel 82571EB dual Gigabit Ethernet PCI Express bus controllers (two copper ports are routed to the front and two copper ports are routed to PICMG 2.16 rear pins)
- Four USB 2.0 interfaces with up to 480 Mbit/sec, two front, two rear
- VGA Video Controller ATI ES1000 2D-engine, PCI 32-bit/ 33 MHz, external memory 64MB
- Two 16C550 compatible UARTs (COM1/2)
- Keyboard on rear and onboard connector
- Mouse interface on rear
- Floppy disk controller on rear

### Front Panel Functions

COM1:	9-pin D-Sub (RS232)
VGA:	15-pin D-Sub SVGA connector
Ethernet:	2x RJ-45
USB:	2x 4-pin connectors
PMC/XMC:	opening for PMC/XMC front panel
LEDs:	2x LAN activity (yellow) and speed (green) one blue control LED for hot swap 2x for IPMI, 1x watchdog, 1x thermal control 8-LED-field for BIOS POST code or general purpose
Reset:	reset button, guarded
Micro switch:	for hot swap

### Onboard Interfaces

- One SATA connection for an onboard 2.5" SATA HDD
- CompactFlash type II socket
- 22-pin connector with all LPC signals
- PS/2 keyboard connector
- 2x 200-pin SODIMM connectors
- 4x 64-pin PMC interface
- 1x 114-pin XMC connector

### I/O Table Summary

Description	Front I/O	Rear I/O	Onboard Connector	Total
Video	1	1	-	1
USB	2	2	-	4
Serial	1	2	-	2
PS/2 Mouse	-	1	-	1
PS/2 Keyboard	-	1	1	1
Ethernet	2	2	-	4
ATA100	-	1	-	1
SATA150	-	2	1	2
CompactFlash	-	-	1	1
PMC or XMC	1	via J4	4/1	1
Floppy	-	1	-	1

### CompactPCI Bus Interface

- PICMG 2.0 Rev. 3.0 compatible, 64-bit / 66 MHz.
- 5V or 3.3V signalling, REQ/GNT for 7 slots
- Operating in system slot as system master and in peripheral slot in PCI passive mode (no communication to CompactPCI bus)

### PMC/XMC Slot

- One 64-bit / 66MHz PMC slot, Pn1-Pn4, rear I/O Pn3 to J4, 3.3 V PCI-voltage
- Alternatively one XMC slot via P15, supporting XMC.3 x8 PCIExpress

### Supervisory Functions, Clock/Calendar

- Watchdog, software configurable, 125 msec to 256 sec, generates IRQ, NMI or hardware reset.
- Hardware monitor for thermal control, fan speed, and all onboard voltages
- RTC (integrated in 6300ESB) and CMOS RAM with backup, battery replaceable

### Rear I/O via J3/J4/J5

- J3: PICMG 2.16, VGA, COM 1/2, keyboard, mouse, USB 3/4
- J4: PMC rear I/O
- J5: SATA 1/2, IDE (secondary)

### IPMI

IPMI 1.5-compliant for IPMI based management and CompactPCI System Management PICMG 2.9 R1.0

### Compliance

- CompactPCI Core Specification PICMG 2.0 Rev. 3.0
- CompactPCI Hot Swap Specification PICMG 2.1 R2.0
- CompactPCI System Management PICMG 2.9 R1.0
- CompactPCI Packet Switching Backplane PICMG 2.16 R1.0

Designed to meet or exceed:

- Safety: UL 1950, UL 94, CSA 22.2 No 950, EN 60950, IEC 950
- EMI/EMC: EN 55022 / EN 55024, EN 50081-1 / EN 6100-6-2

### General

Dimensions:	233 x 160 x 20.5 mm, 6U, 4HP
Weight:	400g
MTBF:	157,696h @ 30°C / 86°F (Bellcore Issue 6)

### Software Support

- AMI BIOS with POST codes, setup console redirection to serial port (VT100 mode) with CMOS setup access, BIOS parameters saved in EEPROM, diskless, keyboardless, videoless operation
- LAN boot support
- Board identification number accessible via EEPROM
- Support for Windows® XP, XP Embedded, Windows® Server 2003, Linux®, VxWorks (other OSs may be possible, please contact us for information)

### Power Consumption

CP6012<sup>64</sup> equipped with 2GB memory:

- LV 1.5 GHz: max 39 W
- 2.16 GHz: max 56 W

### Environmental

Operating temp.:	0°C to +60°C standard with LV 1.66 GHz (with forced airflow)
Storage temp.:	- 55°C to + 85°C (without battery or HDD)
Climatic Humidity:	93% RH at 40°C, non condensing (acc. to IEC 60068-2-78)
Altitude:	50,000 ft (15,240 m)

## ➤ Ordering Information

Product	Description	Order Number
<b>CPU Boards</b>		
CP6012 <sup>64</sup>	Intel Core2 Duo L7400 LV 1.5 GHz, 2xGigEthernet on FP, 2xGigEthernet on PICMG2.16/RIO, 5V I/O	35328
CP6012 <sup>64</sup>	Intel Core2 Duo T7400 2.16 GHz, 2xGigEthernet on FP, 2xGigEthernet on PICMG2.16/RIO, 5V I/O	1021-9631
CP6012 <sup>64</sup>	Intel Core2 Duo T7400 2.16 GHz, 2xGigEthernet on FP, 2xGigEthernet on PICMG2.16/RIO, 3.3V I/O	1021-9635
<b>Memory Modules</b>		
SODIMM-DDR2-512-ECC	512MB, SODIMM, DDR2 SDRAM, PC400, 200-pin, registered ECC	33473
SODIMM-DDR2-1G-ECC	1GB, SODIMM, DDR2 SDRAM, PC400, 200-pin, registered ECC	33474
SODIMM-DDR2-2G-ECC	2GB, SODIMM, DDR2 SDRAM, PC400, 200-pin, registered ECC	34847
<b>Services</b>		
CP6-RIO-216	Assembly of connectors J4/J5 and rear IO configuration for CP6012	27829
CP6-RIO-216-NOJ4	Assembly of connector J5 ( <b>no J4</b> ) and rear IO configuration for CP6012	27830
CP6012-MK2.5SATA <sup>1)</sup>	Mounting kit for 2,5" SATA-HDD onboard, mounting within 4HP	33477
<b>Rear Transition Modules</b>		
CP-CTM80-3	Various 4HP versions available	
<b>Software Support</b>		
KIT-CP6012 <sup>2)</sup>	Documentation and Windows driver kit on CD-ROM	33475
LIN-BSP-CP6012 <sup>2)</sup>	Linux BSP CP6012 for Suse and RedHat	33476
VXW-BSP-CP6012	VxWorks 6.4 BSP CP6012 with single core support	36157
VXW-BSP-CP6012-SMP	VxWorks 6.6 BSP CP6012 with SMP support	1021-9791

1) HDD must be ordered separately

2) Free of charge, downloadable from the Internet

Please contact your local sales representative for other configuration options.

## ➤ Corporate Offices

### Europe, Middle East and Africa

Kontron AG  
Oskar-von-Miller-Str. 1  
85386 Eching/Munich Germany

Tel. +49 (0)8165-77 777  
Fax +49 (0)8165-77 219

sales@kontron-emea.com

### North America

Kontron America Corporate Office  
14118 Stowe Drive  
Poway, CA 92064-7147

Tel. +1-888-294 4558  
Fax +1-858-677 0898

sales@us.kontron.com

### Asia Pacific

Asia Pacific  
4F, No. 415, Ti-Ding Blvd.,  
Sec.2, NeiHu District  
Taipei, Taiwan 114

Tel. +886-2-2799-2789  
Fax +886-2-2799-7399

sales@kontron.com.tw

### Kontron Modular Computers GmbH

Kontron Modular Computers GmbH  
Sudetenstr. 7  
D-87600 Kaufbeuren

Tel. +49 (0)8341 - 803 0  
Fax +49 (0)8341 - 803 499

sales@kontron-emea.com