

**INPUT CHARACTERISTICS:****ARD / I – 2/4/6300F**

- VOLTAGE: 90 – 132 VAC / 180 ~ 264 VAC SWITCHABLE
- FREQUENCY : 47 ~ 63 Hz
- INPUT CURRENT: 5.0 / 2.5A FOR 115 / 230 VAC PER POWER MODULE ( PARALLEL )
- INRUSH CURRENT: 50A / 100A MAX. FOR 115 / 230 VAC

**OUTPUT CHARACTERISTICS:**

| OUTPUT VOLTAGE | OUTPUT CURRENT |         |         | REGULATION |      | OUTPUT RIPPLE & NOISE MAX. [P-P] |
|----------------|----------------|---------|---------|------------|------|----------------------------------|
|                | MIN.[A]        | MAX.[A] | PEAK(A) | LOAD       | LINE |                                  |
| 5V**           | 7.0            | 20~36   | 40      | ± 5%       | ± 1% | 60mV                             |
| 12V**          | 2.5            | 17      | 20      | ± 8%       | ± 1% | 120mV                            |
| -5V***         | 0              | 0.8     | 1       | ±10%       | ± 1% | 120mV                            |
| -12V***        | 0              | 0.8     | 1       | -10%~+10%  | ± 1% | 150mV                            |
| 3.3V*          | 3.0            | 0~25    | 30      | ± 5%       | ± 1% | 60mV                             |
| +5VSB          | 0              | 1.0     | 1.2     | ± 5%       | ± 1% | 50mV                             |

\* MANUFACTURER SET AT 3.45 V

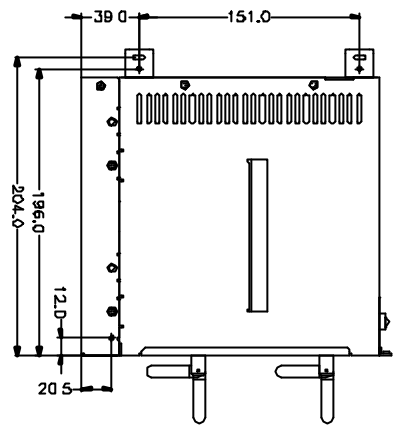
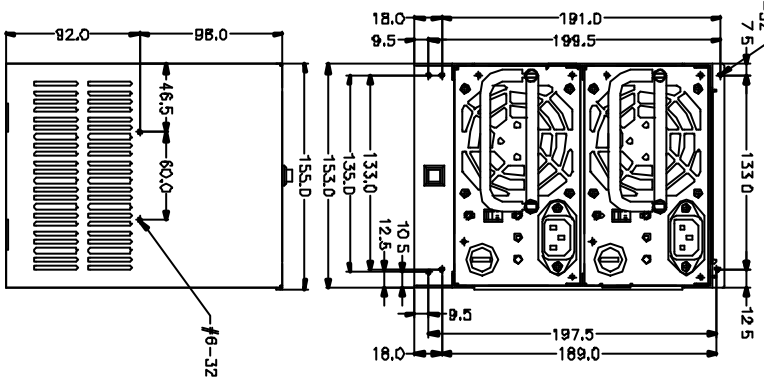
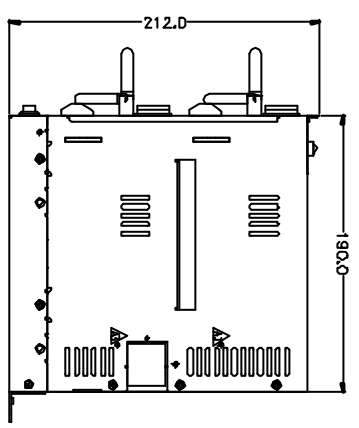
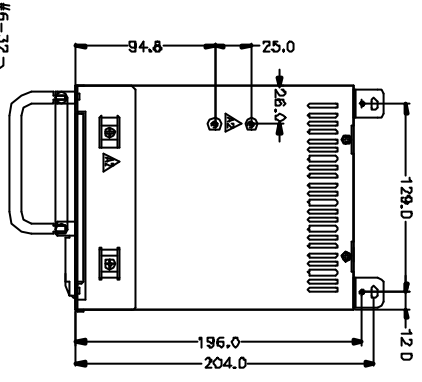
\*TOTAL OUTPUT OF +5V AND + 3.3V NOT EXCEED 180 W

\*\* For ARD/I / H – 2300F ; \*\*&amp;\*\*\* For ARD/ I / H – 4300F

Total output max:300W

- TEMPERATURE RANGE: OPERATING 0 --- 40
- HOLD UP TIME: 16 ms MINIMUM AT FULL LOAD & NORMAL INPUT VOLTAGE
- DIELECTRIC WITHSTAND: INPUT / OUTPUT 1500 VAC FOR 1 SECOND  
INPUT TO FRAME GROUND 1500 VAC FOR 1 SECOND
- EFFICIENCY: 65% TYPICAL, AT FULL LOAD
- POWER GOOD SIGNAL: ON DELAY 100 ms TO 500 ms, OFF DELAY 1 ms
- OVER LOAD PROTECTION: 130 +/- 20%
- OVER VOLTAGE PROTECTION:  
**+5V → 6.0V ~ 7V, 3.3V → 4.0 ~ 4.5V, ( EACH POWER MODULE )**
- OVER CURRENT PROTECTION : SHORT CIRCUIT
- EMI NOISE FILTER: FCC CLASS B, CISPR22 CLASS B
- SAFETY: UL 1950, CSA 22.2 NO/ 950, TÜV IEC 950
- REMOTE ON / OFF CONTROL  
THE UNIT SHALL ACCEPT A LOGIC OPEN COLLECTOR LEVEL WHICH WILL DISABLE / ENABLE ALL THE OUTPUT VOLTAGE (EXCLUDE +5V STANDBY), AS LOGIC LEVEL IS LOW, OUTPUTS VOLTAGE WERE ENABLE, AS LOGIC LEVEL IS HIGH, OUTPUTS VOLTAGE WERE DISABLE.
- HOT-SWAPPABLE / HOT-PLUGGABLE REDUNDANCY FUNCTION
- BALANCE LOAD SHARING DESIGN
- REMOTE SENSING DESIGN
- ISOLATION: BUILT-IN IN THE POWER MODULE
- PASSIVE BACKPLANE DESIGN
- DIMENSION: **ARD: 153(W) x 212(H) x 190(D); ARI: 167(W) x 189(H) x 190 (D);**
- CONNECTION: 48 PINS CONNECTOR (EPT PART NO. 109-40064 OR EQUIVALENT)  
6 PINS CONNECTOR (POSITRONIC PART NO. PLB06M8000 OR EQUIVALENT) OPTIONAL FOR INPUT SOURCE FROM REAR SIDE
- I<sup>2</sup>C COMMUNICATION ABILITY (OPTIONAL)

| REV | DESCRIPTION | DATE   |
|-----|-------------|--------|
| A2  | 增加2孔,修改固定架  | 99-7-1 |
| A3  | 增加垫片抽牙孔     | 99-8-1 |



|                      |                                  |
|----------------------|----------------------------------|
| 容差公差:<br>TOLERANCES: | XXX ±0.25<br>XX ±1.00<br>X ±2.50 |
| 投影法:<br>PROJECTION:  | 第三角法                             |

|                     |  |
|---------------------|--|
| 材料規格:<br>MATERIAL:  |  |
| 核准者:<br>APPROVE BY: |  |
| 日期:<br>DATE:        |  |
| 檢閱者:<br>CHECK BY:   |  |
| 日期:<br>DATE:        |  |

|                    |          |
|--------------------|----------|
| 品名:<br>MODEL NO:   | ARD      |
| 圖號:<br>PART NO:    | ARD0MA00 |
| 圖號:<br>DRAWING NO: | ARD0MA00 |
| 單位:<br>UNITS:      | mm       |
| 圖號:<br>REV. NO:    | A3       |
| 圖號:<br>SPEC. NO:   | AO       |
| 圖號:<br>SHEET:      | 0F       |


**新巨企業股份有限公司**  
**ZIPPY TECHNOLOGY CORP.**  
 POWER DIVISION

**ARD 外觀尺寸圖**