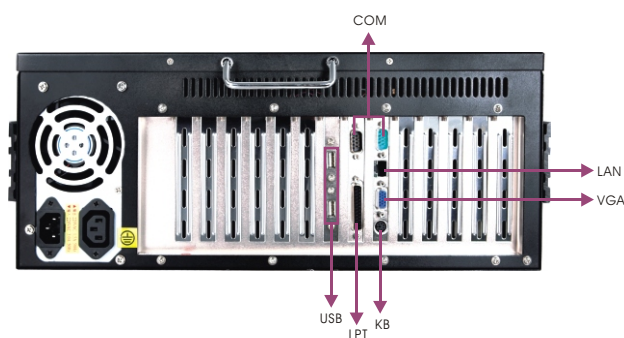


IPC-2402

Standard 19" 4U Rackmount Industrial PC



Specifications

System

Construction	Heavy Duty Metal
Backplane	Compatible with all series of full-size CPU cards
Motherboard	Supports up to 14-slot backplane
Power Supply	250W/300W/350W power supply(optional)
Drive Bays	Provides 1 x 5.25 CD-ROM driver and 3 x 3.5 HDD
Ventilation	Provides 1 x 8cm and 1 x 12cm ball bearing air intake fan, 1 x power supply air outtake fan, and good cross-ventilation design
Indicators	Provides 1 x 3.3 LCD to real-time monitor the temperature of the chassis inside , 1 x Power LED, 1 x Hard disk LED, 1 x Key lock LED (only for FSC-1713 series CPU cards)
Front Panel	2 x USB2.0, 1 x Power switch
Others	Lockable door to protect interior components; KB ports both on the front and rear; two anti-vibration bars

Mechanical and Environmental

Dimensions	482.6mm(W) x 461.4mm (D) x 177.0mm(H)
Reliability	MTBF ≥ 30000h; MTTR ≤ 0.5h
Safety	Gb4943
Operating Temperature	-5°C ~ 55°C
Storage Temperature	-40°C ~ 60°C
Operating Humidity	5%~95%, 40°C non-condensing

Operating System

Windows OS	Windows 2000/Windows Server 2003/Windows XP
Embedded OS	Linux/XP Embedded

Test

Vibration	5-19Hz/1.2mm amplitude; 19-200Hz/1.2g acceleration
Shock	15g peak acceleration(11ms duration)
EMC/EMI	GB9254-1998 Class A

Features

- Good performance in heat-dispersion and real-time temperature monitoring
- Special industrial design for appearance
- It can be configured with various backplane and full-size CPU cards
- Supports the latest Intel® Core™ 2 Duo CPU, HDMI port, and UPS function
- Supports EPI bus and connection mode of EVOG

Related Products

Full-size CPU Card

FSC-1713VNA(B)	PICMG1.0 Socket 478 P4 CPU Card with VGA/LAN/Audio
FSC-1719VNA	PICMG 1.3 LGA775 CPU Card with PCI-E /VGA/LAN
FSC-1811V2NA	PICMG 1.3 Dual-core LGA775 CPU Card with VGA/2LAN/Audio
EPI-1711VNA	EPI Bus LGA775 CPU Card with VGA/LAN/Audio

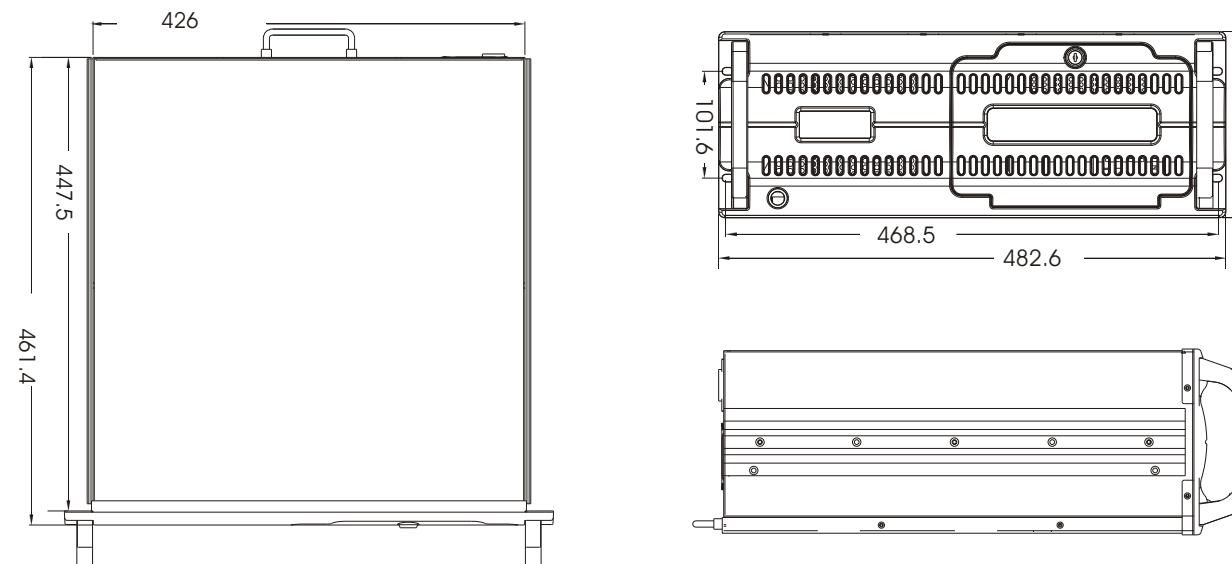
Backplane

IPC-6113LP4	13 slots: 2 x PICMG1.0 Interface, 7 x ISA Interface, 4 x PCI Interface
PCI-6110E5	10 slots: 1 x PICMG1.3 Interface, 4 x PCI Interface, 4 x PCI-E x1 Interface, 1 x PCI-E x4 Interface
EPI-6113LP4	13 slots: 1 x EPI Interface, 7 x ISA Interface, 4 x PCI Interface

Power Supply

PS-7270	250W /AC-DC/ ATX
PS-7271	250W /AC-DC/ AT
PS-7360	350W /AC-DC/ ATX

Dimensions



Available Accessories

Part Number	Name	Description	Qty.
2360-003671	AC power cable/RoHS	Length: 1500mm/USA standard/821	1
2391-000471	Screw/RoHS	Countersunk head M3x5/thickness 1.5mm/GB-T819-1985	6
2391-000651	Screw/RoHS	Truss head M3x5/MPW3x5-NI/GB9074.1-88	4
2360-005031	Y-cable for keyboard and mouse/RoHS	One minDIN port to two PS/2 ports, length: 250mm/RoHS	1
2401-000201	Accessories box/RoHS	370x155x40/250g+w9	1
2330-000041	Jumper/RoHS	2.54mm pitch, blue	1
2100-051881	Keyboard/RoHS	104-key PS2/S/corpius-R25/EVOG/4-level waterproof/black	1
0080-000221	Mouse/RoHS	3D opto-electric EVOG silver black mouse	1
2372-003201	Rubber spring pad/RoHS	Φ15x30.5/notched	4
2372-003731	Rubber spring pad/RoHS	Φ15x17.1mm/notched/please refer to the drawings for details	4
2372-001181	Rubber spring pad/RoHS	30x15x17/square	4
2372-001141	Rubber pad/RoHS	20x20/3M adhesive-backed	4
	User's Manual/RoHS	IPC-2402/Long March series	1
	Setup Guide/RoHS	AMI/BIOS Setup Guide (for Core/8)	1
	Driver CD/Protective film/RoHS	IPC-2402/Long March series	1

Order Information

Part Number	Model Number	Description
0010-001541	IPC-2402-02/Al-alloy panel	Complete PC/RoHS: P4 2.8G/512M/160G/250W/FSC-1717VN/IPC-6113LP4
0010-001551	IPC-2402-03/Al-alloy panel	Complete PC/RoHS: P4 3.4G/1G/160G/250W/FSC-1719VNA/IPC-6110E5
0010-001581	IPC-2402-5/Al-alloy panel	Complete PC/RoHS: Core2 DUO E4300 1.8G/1G/160G/300W/FSC-1811V2NA/PCI-6110E5
0010-001591	IPC-2402-6/Al-alloy panel	Complete PC/RoHS: P4 3.4G/512M/160G/300W/FSC-1719VNA/PCI-6110E5
0010-001601	IPC-2402-07/Al-alloy panel	Complete PC/RoHS: P4 3.0G/512M/160G/250W/EPI-1711VNA/EPI-6113LP4
0010-001571	IPC-2402-UPS/Al-alloy panel	Complete PC/RoHS: P4-631 3.0G/512/80G/250W/FSC-1714VNA/IPC-6113LP4
0010-001521	IPC-2402/sheet metal panel	Complete PC/RoHS: P4 2.8G/512M/160G/250W/FSC-1713VNA/IPC-6113LP4
0020-031341	IPC-2402-1/-2/-4/no power supply/no backplane/Al-alloy panel	Empty chassis/RoHS: Al-alloy panel
0020-000921	IPC-2402-05/no power supply/no backplane	Empty chassis/RoHS: IPC-2402-3
0020-000911	IPC-2402-07/Al-alloy panel/no power supply/no backplane	Empty chassis/RoHS: IPC-2402-07
0020-031351	IPC-2402-UPS/no power supply/no backplane/Al-alloy panel	Empty chassis/RoHS: IPC-2402-UPS
0020-035871	IPC-2402-(08/09/10)/no power supply/no backplane	Empty chassis/RoHS