



**Host Bus Transfer Rate:** 64-bit bus master DMA maximum burst data transfers up to 264 Mbyte/s (PCI - 64/33 MHz)

**Host Bus Signaling:** Supports 5 or 3 V signaling

**On-Board RAM:** 128 Kbyte static RAM

**PHYSICAL/ENVIRONMENTAL**

**Temperature Range:** 0 to 50 °C, operating -40 to 70 °C, storage

**Relative Humidity:** 20 to 80 percent, noncondensing

**Power Requirements:** 1 A (maximum) 5 VDC

**Network Connections:**

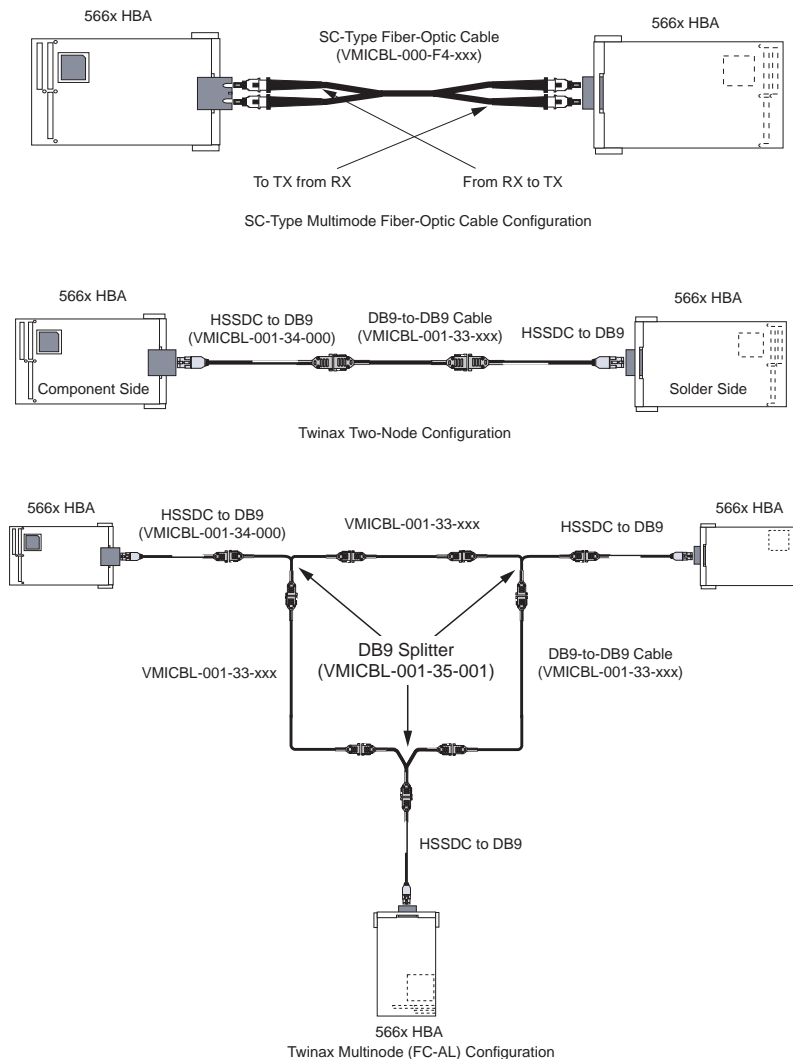
Twinax with HSSDC connector (maximum distance - 30 m)

Fiber optic (multimode) with SC-type connectors (maximum distance - 500 m)

Fiber optic (single-mode) with SC-type connectors (maximum distance - 10 km)

**TRADEMARKS**

The VMIC logo is a registered trademark of VMIC. Windows NT is a registered trademark of Microsoft Corporation. Other registered trademarks are the property of their respective owners.



**Figure 1. Fibre Channel Topology/Cable Configuration Guide**