

Super-mini Signal Conditioners Mini-M Series

CURRENT LOOP SUPPLY

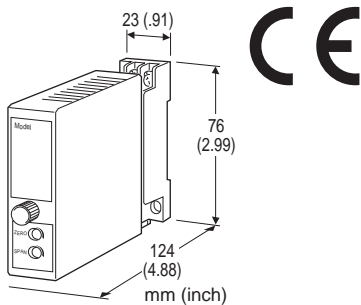
(applicable to HART signal)

Functions & Features

- Powers a 4 - 20 mA DC current loop
- Isolates and relays HART signals
- Shortcircuit protection
- Opencircuit detection
- Applicable to smart transmitters
- CE marking

Typical Applications

- 2-wire HART transmitters



MODEL: M2DYH2-24A-[1][2]

ORDERING INFORMATION

- Code number: M2DYH2-24A-[1][2]
Specify a code from below for [1] and [2].
(e.g. M2DYH2-24A-M2/B/CE/Q)
- Specify the specification for option code /Q
(e.g. /C01/S01)

SUPPLY OUTPUT

24: 24 V DC

INPUT

Current

4 - 20 mA DC (Input resistance approx. 250 Ω)

OUTPUT

Current

A: 4 - 20 mA DC (Load resistance 600 Ω max.)
250 Ω ±10 % for HART communication

[1] POWER INPUT

AC Power

M2: 100 - 240 V AC (Operational voltage range 85 - 264 V,

47 - 66 Hz)

DC Power

R: 24 V DC

(Operational voltage range 24 V ±10 %, ripple 10 %p-p max.)

R2: 11 - 27 V DC

(Operational voltage range 11 - 27 V, ripple 10 %p-p max.)

(Select '/N' for 'Standards & Approvals' code.)

P: 110 V DC

(Operational voltage range 85 - 150 V, ripple 10 %p-p max.)

[2] OPTIONS (multiple selections)

Opencircuit detection

blank: none

/B: Opencircuit detector

STANDARDS & APPROVALS (must be specified)

/N: Without CE

/CE: CE marking

OTHER OPTIONS

blank: none

/Q: Option other than the above (specify the specification)

SPECIFICATIONS OF OPTION: Q (multiple selections)

COATING (For the detail, refer to M-System's web site.)

/C01: Silicone coating

/C02: Polyurethane coating

/C03: Rubber coating

TERMINAL SCREW MATERIAL

/S01: Stainless steel

GENERAL SPECIFICATIONS

Construction: Plug-in

Connection: M3 screw terminals (torque 0.8 N·m)

Housing material: Flame-resistant resin (black)

Isolation: Input to output to power

Overrange output: Approx. -10 to +110 %

Zero adjustment: -5 to +5 % (front)

Span adjustment: 95 to 105 % (front)

Opencircuit detection: Input current 0 mA when the output loop is open.

Photo MOS Relay ON Resistance; 3 Ω max.

SUPPLY OUTPUT

(across the terminals 1 - 5)

Output voltage: 24 - 28 V DC with no load

18 V DC min. at 20 mA

Current rating: ≤ 22 mA DC

• **Shortcircuit Protection**

Current limited: 30 mA max.

Protected time duration: No limit

INPUT SPECIFICATIONS

- **DC Current:** Input resistor incorporated
Input current: 0 mA min.

HART COMMUNICATION

Transmission gain: Approx. -3 dB (within 1 k - 3 kHz)
measured with 250 Ω at output
Communication directions: Bidirectional

INSTALLATION

Power Consumption

- **AC Power input:**
Approx. 4 VA at 100 V
Approx. 6 VA at 200 V
Approx. 7 VA at 264 V
- **DC Power input:** Approx. 3 W

Operating temperature: -5 to +55°C (23 to 131°F)

Operating humidity: 30 to 90 %RH (non-condensing)

Mounting: Surface or DIN rail

Weight: 150 g (0.33 lbs)

PERFORMANCE in percentage of span

Accuracy: ± 0.1 %

Temp. coefficient: ± 0.015 %/°C (± 0.008 %/°F)

Response time: ≤ 0.5 sec. (0 - 90 %)

Line voltage effect

Supply output: ± 3 % over voltage range

Output signal: ± 0.1 % over voltage range

Insulation resistance: ≥ 100 M Ω with 500 V DC

Dielectric strength: 2000 V AC @1 minute (input to output to power to ground)

STANDARDS & APPROVALS

CE conformity:

EMC Directive (2004/108/EC)

EN 61000-6-4 (EMI)

EN 61000-6-2 (EMS)

Low Voltage Directive (2006/95/EC)

EN 61010-1

Installation Category II

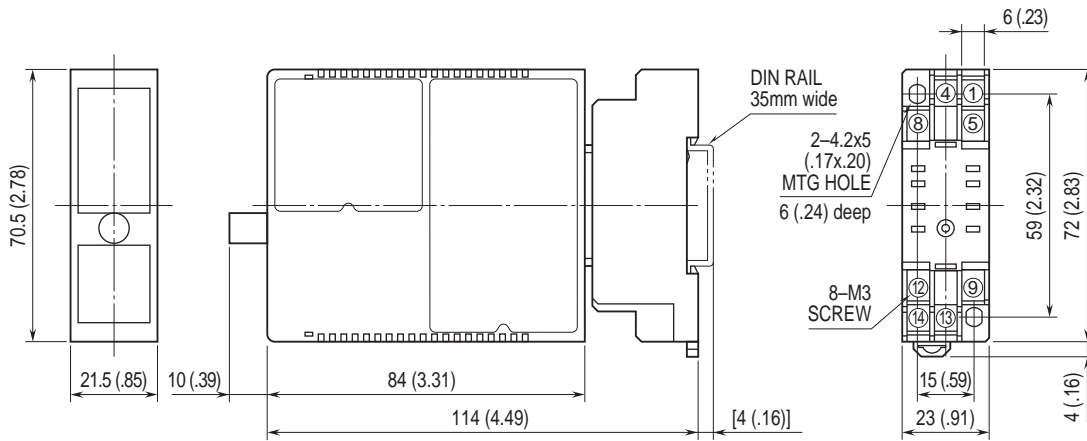
Pollution Degree 2

Max. operating voltage 300 V

Input or output to power: Reinforced insulation

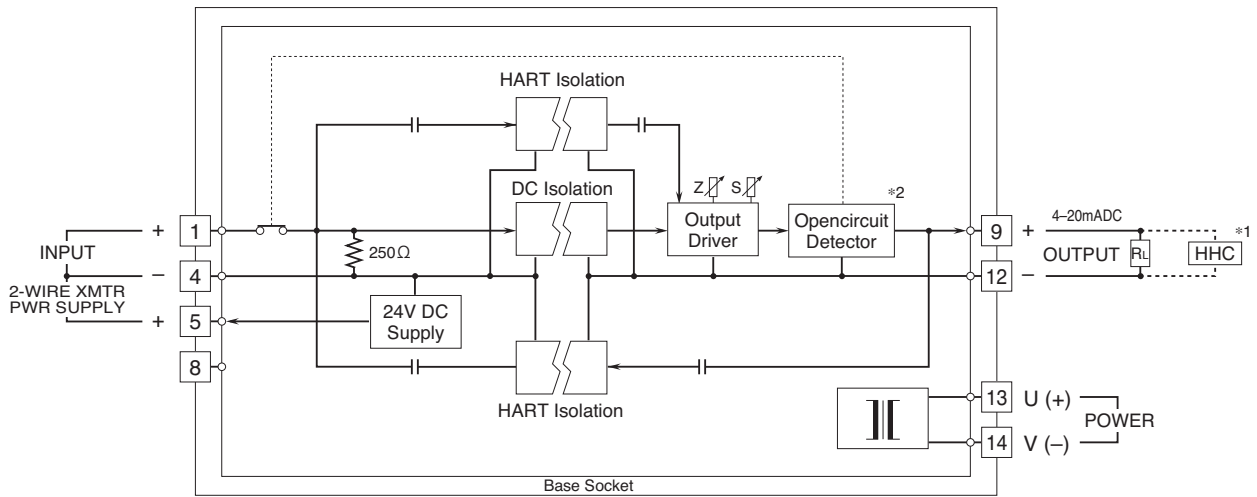
Input to output: Basic insulation

DIMENSIONS unit: mm (inch)



• When mounting, no extra space is needed between units.

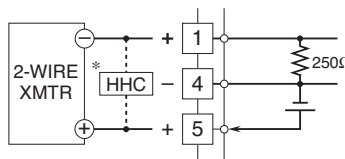
SCHEMATIC CIRCUITRY & CONNECTION DIAGRAM



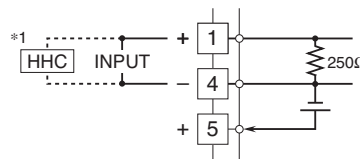
*1. Hand-held communicator

*2. Only for opencircuit detector (code /B)

■ When Used as DC Supply



■ When Used as Isolator



Specifications are subject to change without notice.