

# Distribution Frame Accessories

## Mounting Bars

Connector mounting bars are required on conventional and universal-type distributing frames to support central office connectors on the vertical side. They are zinc plated and dichromate dipped to assure a low resistance connection to ground the connector assembly.

### Mounting Arrangements

The connector mounting hole arrangement on the mounting bar has drilled and tapped holes to mount the R399 connector. The frame mounting side has a universal mounting slot to fit various distribution frames.

### Mounting Bar Connector Capacity

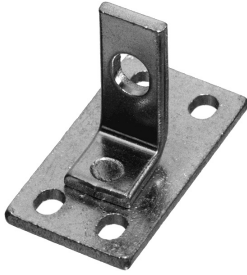
Connector Type	— Frame Height —			
	7-ft.	8-ft.	9-ft.	11-ft. 6-in.
R399, stub up	700 pair	900 pair	1000 pair	1400 pair
R399, stub down	800 pair	1000 pair	1100 pair	1400 pair

### Mounting Bars - R366, R399, AR399 and R399C

Catalog Number	Maximum Capacity	Overall Length	Mounting Arrangement	Minimum Frame Height
P48271	100 pair	8.4 in.	(wall mount)	—
P44036	800 pair	67.66 in.	Universal	7 ft.
P44037	900 pair	76.12 in.	Universal	8 ft.
P44038	1000 pair*	84.59 in.	Universal	9 ft.
P44039	1100 pair	93.15 in.	Universal	9 ft.
P44040	1400 pair	110.05 in.	Universal	11 ft. 6 in.

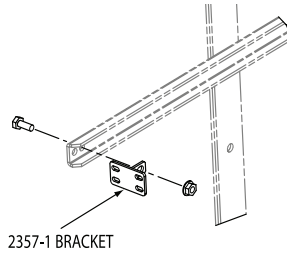
\* Capacity is 900-pair in stub-up configuration.

# Distribution Frame Accessories

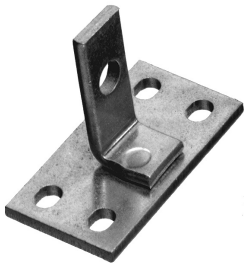
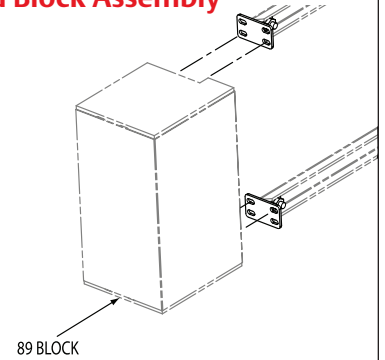


**2357-1**  
Vertical Mounting Bracket

## Vertical Mounting Bracket Assembly

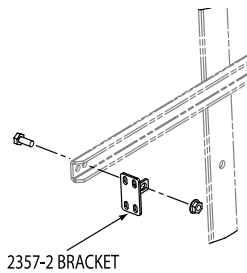


## Vertical Mounting Brackets and Block Assembly

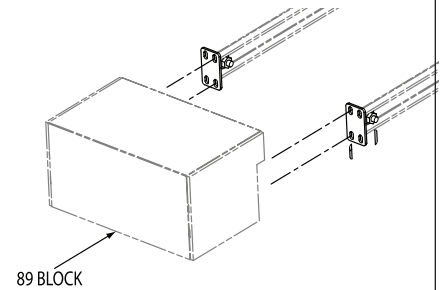


**2357-2**  
Horizontal Mounting Bracket

## Horizontal Mounting Bracket Assembly



## Horizontal Mounting Brackets and Block Assembly



**23602**  
MDF Test Jack

## Accessories

Catalog Number	Part Number	Description
23571	F150645	Terminal block mounting brackets for vertical mounting
23572	F150646	Terminal block mounting brackets for horizontal mounting
23602	F151186	MDF Test Jack is a 2-pair test jack

### Emerson Network Power.

The global leader in enabling *Business-Critical Continuity™*.

- AC Power
- Embedded Power
- Precision Cooling
- Connectivity
- Infrastructure Management & Monitoring
- Racks & Integrated Cabinets
- DC Power
- **Outside Plant**
- Services
- Embedded Computing
- Power Switching & Controls
- Surge Protection

Emerson Network Power  
Energy Systems

4350 Weaver Parkway, Warrenville, IL 60555  
Toll Free: 800-800-1280 (USA and Canada)  
Telephone: 440-246-6999 Fax: 440-246-4876  
Web: EmersonNetworkPower.com/OSP

© 2010 Emerson Network Power Energy Systems,  
North America, Inc. All rights reserved.

Emerson®, Emerson Network Power™, *Business-Critical Continuity™*,  
NetReach™, NetSpan™ and NetXtend™ are trademarks of  
Emerson Electric Co. and/or one of its subsidiaries.

Printed in USA

