

BBS-2020-J

Fanless, Box PC with Atom™ N270, 4 COM, 3 USB, 12V DC Adapter

Bare Bone



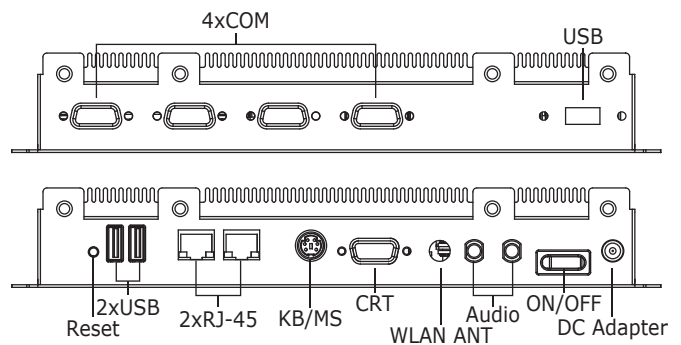
Features

- » Fanless, box PC design
- » Intel® Atom™ N270 processor
- » VGA, dual Gigabit Ethernet, Audio port
- » 1 x 2.5" HDD space
- » 1 x CF, 1 x mini PCI socket
- » 4 x COM port, 3 x USB2.0 port
- » 12V DC adapter
- » Option for Wireless LAN module

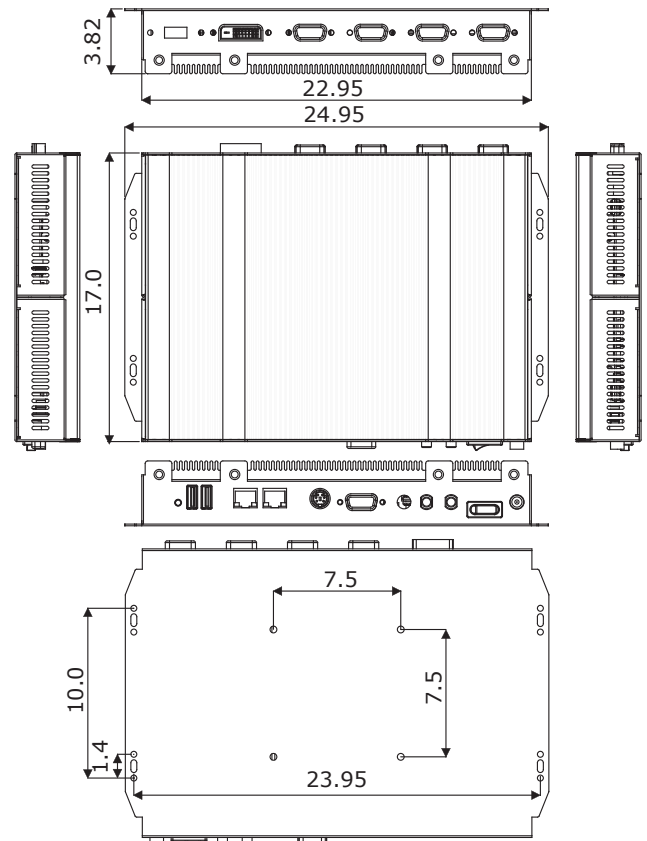
System

- SBC**
HS-2627
- CPU**
Intel® Atom™ N270 processor 1.6GHz
- System Chipset**
Intel® 945GSE/ICH7-M
- System Memory**
1 x 200-pin SO-DIMM, DDR2 533MHz, Max. 2GB
- Display Interface:**
1 x D-SUB 15-pin
- Audio Interface**
Audio jack for MIC In, Line Out
- Ethernet Interface**
2 x RJ-45 for Gigabit Ethernet
1 x mini PCI wireless LAN module (option)
- Storage**
1 x 2.5" HDD space
1 x Type II CF socket
- Expansion Interface**
1 x Type III mini PCI socket
- Watchdog Timer**
Software programmable time-out intervals from 1~255 sec. or 1~255 min.
- H/W Status Monitor**
Monitoring temperatures, voltages status
- Power**
12V 60W DC adapter
- Operating/Storage Temperature**
0~45°C/-20~+70°C
- Certification**
FCC/CE Class A compliance
- Dimensions**
24.95(L) x 3.82(H) x 17.0(W) cm

I/O Interface



Dimensions (unit:cm)



Ordering Information

BBS-2021-J
Fanless, Box PC w/Atom™ 1.6GHz CPU, 4 COM, 3 USB, 12V DC Adapter

Accessory Options
Memory Module, CF Module, Wireless LAN Module, 2.5" HDD