

Class 58 Drum Controllers start, stop and change the speed and/or rotating direction of reversible AC and DC electric motors. Most Controllers are available in NEMA 1 or NEMA 4 enclosures. The Compact A Series of controllers offers Reversing, Two Speed and Two Speed Reversing controls in NEMA 1 enclosures for applications where space may be restricted. NEMA 3R available.

Note: To prevent unintentional operation, OSHA regulations and local installation codes may require guarding of handles. Consult these requirements prior to selecting a drum switch or handle.

The simple yet rugged construction of Hubbell drum controllers make these ideal for applications such as:

- Boat Hoists
- Doors
- Metal and Woodworking Machinery
- Conveyors

Auxiliary Equipment

A variety of handle styles are available as Field Modifications. The Compact A Series offers modifications to accommodate flush and surface mounting.

Standard Features include:

- Rated to 10 HP 600V
- Easy Terminal Access
- Heavy Duty Contacts
- Choice of Handle Kits
- Variety of Mounting Accessories
- Variety of Enclosures NEMA 1, NEMA 3R & NEMA 4
- UL Listed E10590
- CSA Certified LR6535

Models:



J5
NEMA 1 Enclosure



WJ5 2 Speed
NEMA 4 Enclosure



58R44
NEMA 1 Enclosure



A14D
NEMA 3R Enclosure

Ordering Information

- Dimensions see page 4
- Wiring Diagram see pages 5-6
- **Reference the Internal Connections Diagram in the Wiring Diagrams Section to insure the selected switch will work with the motor being used**
- Field Replacement Handles and Parts Kits see page 3
- Application Data see page 1

Drum Controller, 1 Phase and 3 Phase - Class 58

DISCOUNT CODE FP

Type/Purpose	Max HP						Wiring Diagram Figure	Enclosure			
	1 Phase Volt AC			3 Phase Volts AC		Volt DC		NEMA 1 General Purpose		NEMA 4 Watertight	
	120V	240V	480V	240V	480-600V	120-240V		Model Number	Price	Model Number	Price
Reversing/Maintaining	1½	2	-	2	1	¼	1	58R327T ¹	\$175	WR327A ¹	\$300
Reversing/Maintaining	1½	2	-	2	2	¼	2	58R44 ²	\$175	WR44 ¹	\$300
Reversing/Maintaining	1½	2	3	3	3	1	2	J2 ²	\$250	WJ2 ²	\$375
Reversing/Maintaining	2	3	-	5	7½	2	2	J5 ²	\$325	WJ5 ²	\$450
Reversing/Maintaining	2	5	7½	7½	7½	2	2	T3F (T3) ²	\$670	-	-
Reversing/Maintaining	3	7½	10	10	10	3	2	TT3 ²	\$870	-	-
Reversing/Maintaining Forward/Momentary-Rev	1½	2	-	2	1	¼	1	58R327R	\$175	-	-
Reversing/Maintaining Forward/Momentary-Rev	1½	2	-	2	2	¼	2	58R44R	\$175	-	-

Drum Controller, 1 Phase and 3 Phase, Compact A Series - Class 58

Type/Purpose	Max HP					Wiring Diagram Figure	Enclosure			
	1 Phase Volt AC			3 Phase Volts AC	Volt DC		NEMA 1 General Purpose		NEMA 3R Watertight	
	120V	240V	480V	240V	120-240V		Model Number	Price	Model Number	Price
Reversing	1	1	1	1	¼	3	A14	\$87	-	-
Reversing Maintained	1	1	1	1	¼	3	-	-	A14D	\$116
Reversing Momentary	1	1	1	1	¼	3	-	-	A14Y	\$144

Drum Controller, Two Speed, Non-Reversing - Class 58

Type/Purpose	Max HP				Wiring Diagram Figure	Enclosure			
	1 Winding		2 Winding			NEMA 1 General Purpose		NEMA 4 Watertight	
	Constant or Variable Torque 240-260V	Constant HP 240-600V	240-600V	Model Number		Price	Model Number	Price	
Two Speed/Non-Reversing	3	-	-	5	JV2	\$360	WJV2	\$485	
Two Speed/Non-Reversing	5	-	-	5	JV5	\$590	WJV5	\$715	

Drum Controller, Two Speed, Reversing - Class 58

Type/Purpose	Max HP				Wiring Diagram Figure	Enclosure			
	1 Winding		2 Winding			NEMA 1 General Purpose			
	Constant or Variable Torque 240-260V	Constant HP 240-600V	240-600V	Model Number		Price \$			
Two Speed/ Reversing	-	3	-	11	JEH4	\$975			
Two Speed/ Reversing	-	-	3	10	JED4	\$750			

Special Applications, 1 Phase and 3 Phase - Class 58

Type/Purpose	Max HP				Wiring Diagram Figure	Enclosure				
	1 Winding					3 Phase Volts AC		Volts DC	NEMA 1 General Purpose	
	120V	240V	240V	480-600V		120V-240V	Model No.	Price		
Maintained with Limit Switch Selection	1	1	-	-	-	R2453	\$250			
Maintained Magnetic Chuck	-	-	-	-	1500W	J2166A	\$325			

¹ The WR327A, WR44 and 58R327T are maintained only. To order momentary controllers use catalog numbers 58R44M, WR327AR, WR44R and 58R327S respectively.

² Switch is shipped maintained customer adjustable to momentary. Remove handle, turn rotor 180° (1/2 revolution), replace handle.

Prices subject to change without notice.



DISCOUNT CODE FS

Controller Prefix	Description	Field Replacement Model Number ¹	List Price
A	Radial	75D55711001	\$59
R	Radial	75D55711001	\$59
	Radial	75D32963009	\$59
J	Radial	75D55711001	\$59
	Angle - Red	75D50620002	\$59
WJ	Radial	75D32963025	\$59
WR	Radial	75D32963007	\$59
58R	Angle - Chrome	75D56597001	\$86
	Radial	75D55711001	\$59
	Radial	75D32963009	\$59

¹ For exact replacement ONLY (not all handles are interchangeable). Handles available as field kits only.

Handles



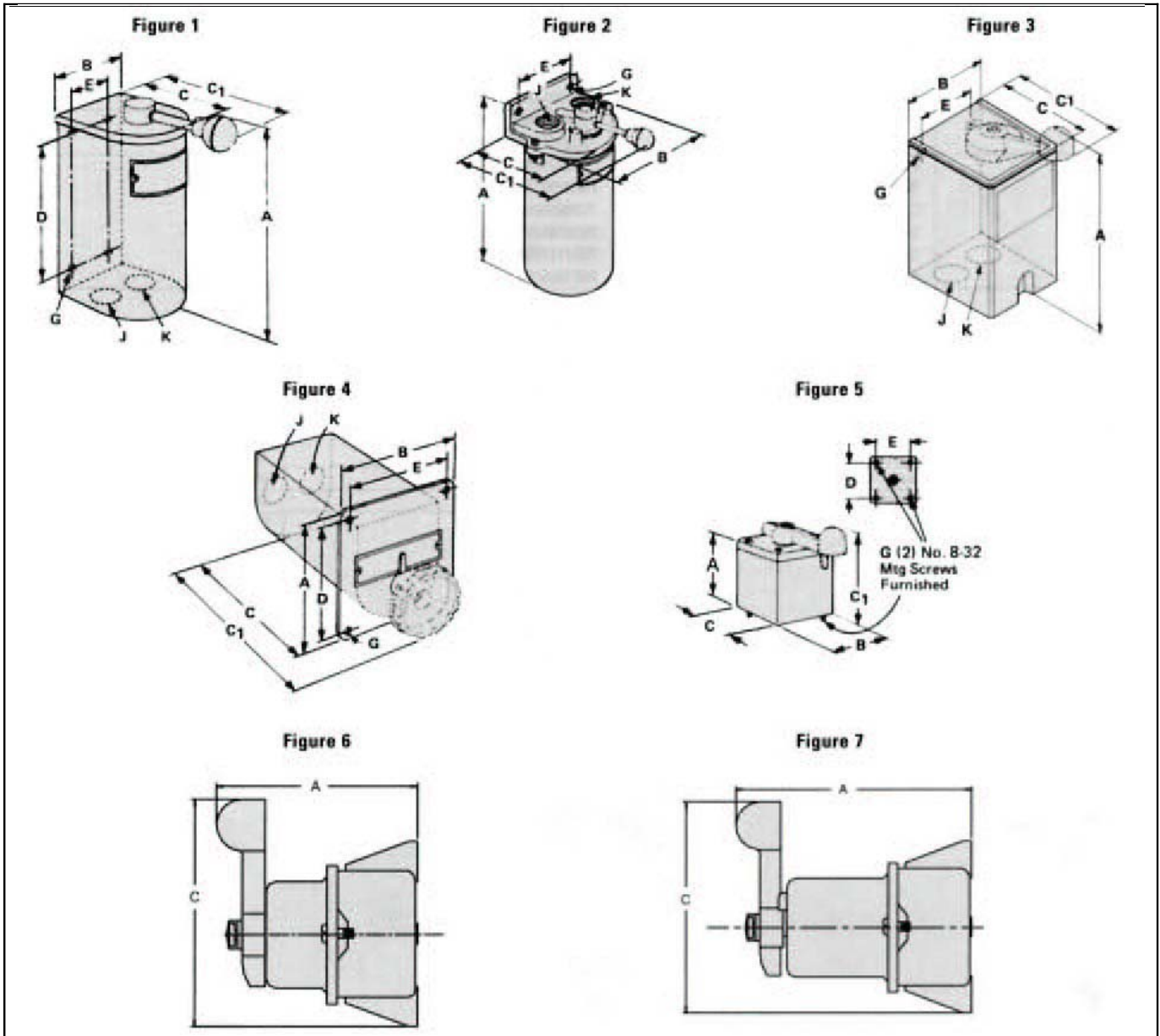
DISCOUNT CODE FS

Drum Controller Number	Model Number	List Price
WR44, WR44R	PK4	\$140
J1944, J2, JP2, JT2513, WJ2, WJP2, WJT2	PK20	\$125
EJ5, J1999, J5, JP5, JT2513, JT5, WJ1999, WJ5, WJT5, WJP5	PK21	\$150
JH2, JV2, WJH2, WJV2	PK22	\$175
T3	PK40	\$275
TT3	PK41	\$300

Prices subject to change without notice.



Wiring



Catalog Number	Figure	Outline Dimensions				Mtg. Dimensions		Mtg. Screw	Conduit Size		Approx. Ship Wt Lbs. (Kg)
		A	B	C	C1	D	E	G	J	K	
A14, A15, A17	5	2.20 (56)	2.38 (60)	2.38 (60)	3.20 (81)	1 ¹¹ / ₁₆ (43)	1 ¹¹ / ₁₆ (43)	8	-	-	2 (1)
A14D	6	3.89 (99)	-	4.40 (112)	-	-	-	-	-	-	2 (1)
A14Y	7	4.93 (125)	-	4.40 (112)	-	-	-	-	-	-	2 (1)
58R44, 58R327	3	5.25 (133)	2.50 (64)	2.75 (70)	4.38 (111)	-	1 ⁵ / ₈ (41)	1/4	1/2	1/2	2 (1)
JED4	1	10.50 (267)	3.19 (81)	3.63 (92)	4.69 (119)	7 ¹³ / ₁₆ (198)	2 (51)	1/4	3/4	1/2	6 (3)
JEH4	1	12.31 (313)	3.19 (81)	3.63 (92)	4.69 (119)	9 ⁹ / ₈ (244)	2 (51)	1/4	3/4	1/2	7 (3)
J2, J5, J2166A	1	4.75 (121)	3.19 (81)	3.63 (92)	4.69 (119)	3 ¹³ / ₁₆ (97)	2 (51)	1/4	1/2	1/2	3 (1)
JV2, JV5	1	7.94 (202)	3.19 (81)	3.19 (81)	4.69 (119)	5 ¹⁵ / ₁₆ (151)	2 (51)	1/4	3/4	1/2	4 (2)
R2453	1	4.38 (111)	2.31 (59)	2.94 (75)	4.56 (116)	-	1 ⁵ / ₈ (41)	1/4	1/2	1/2	2 (1)
TT3	1	9.53 (242)	4.81 (122)	5.53 (141)	6.47 (164)	5 ⁵ / ₈ (143)	3 ³ / ₄ (95)	1/4	1 1/4	1	8 (4)
T3	1	7.56 (218)	4.81 (122)	5.53 (141)	6.47 (164)	5 ⁵ / ₈ (137)	3 ³ / ₄ (95)	1/4	1	1	7 (3)
WJ2, WJ5	2	7.63 (194)	5.13 (130)	4.25 (108)	6.13 (156)	-	3 ⁷ / ₁₆ (87)	3/8	3/4	3/4	7 (3)
WJ2V, 2J5V	2	9.00 (229)	5.13 (130)	4.25 (108)	6.13 (156)	-	3 ⁷ / ₁₆ (87)	5/16	3/4	3/4	7 (3)
WR44, WR44R WR327A, WR327AR	2	5.19 (132)	4.63 (117)	3.75 (95)	5.44 (138)	-	3 1/2 (89)	1/4	1/2	1/2	5 (2)

Note: Dimensions for reference, not for construction. Dimensions are in inches (mm).



Wiring

Figure 1

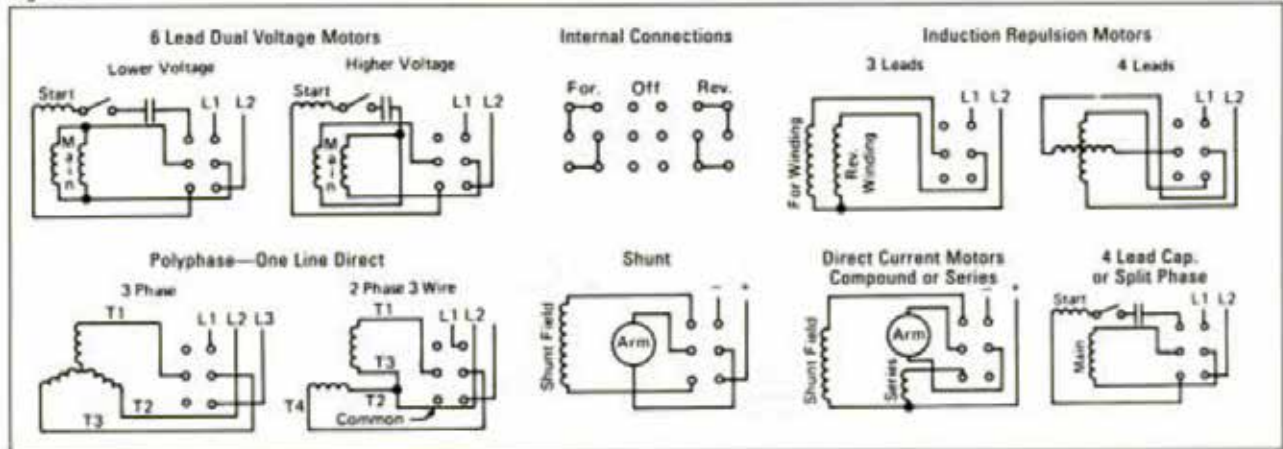


Figure 2

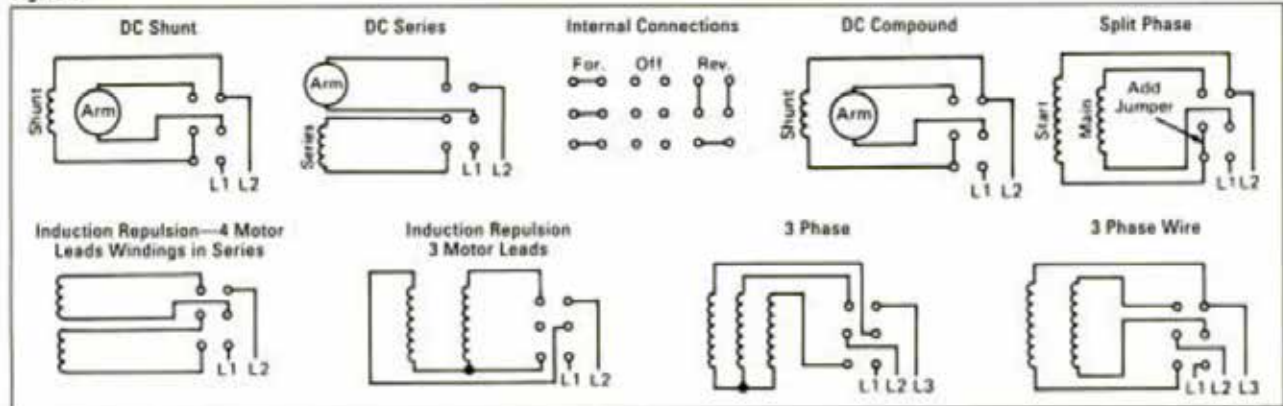
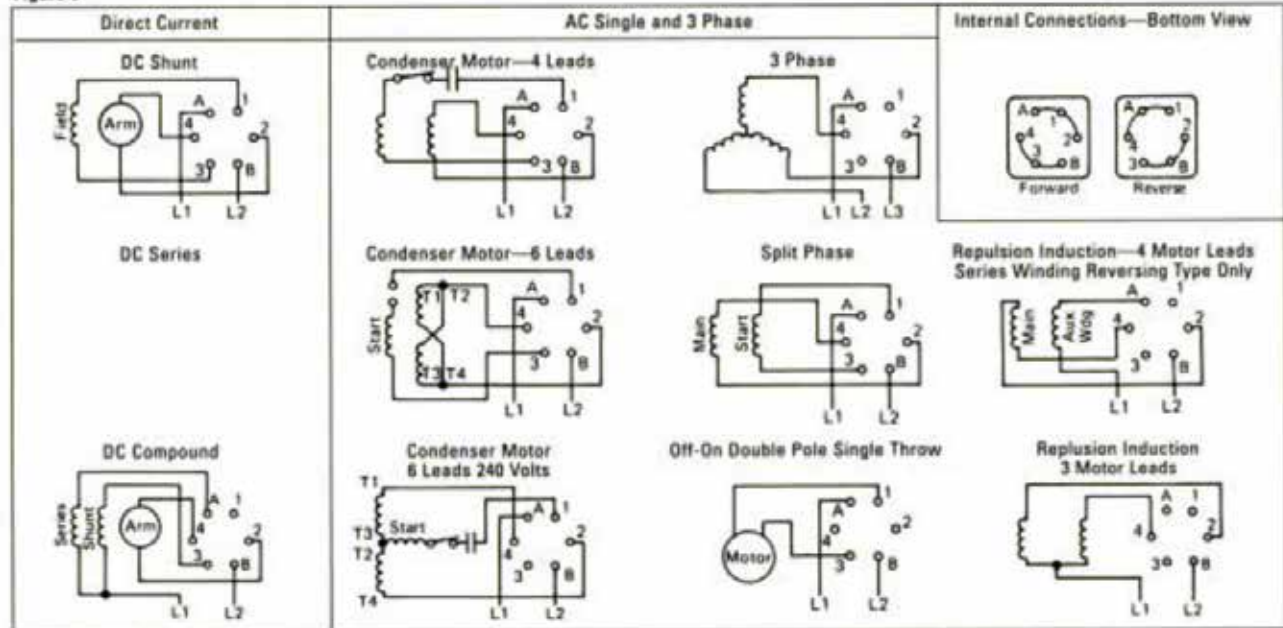


Figure 3



Wiring

Figure 4

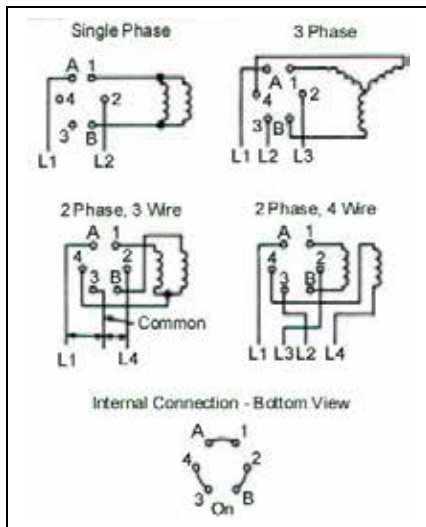


Figure 5

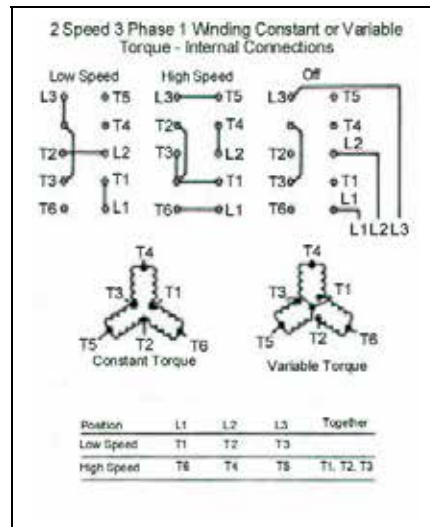


Figure 6

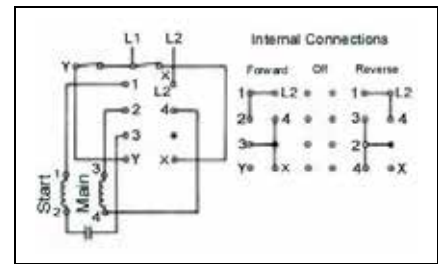


Figure 7

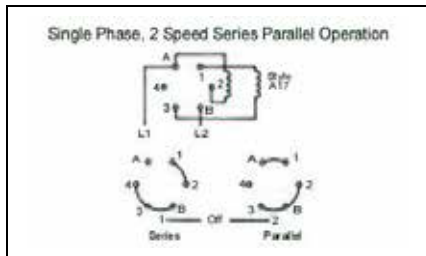


Figure 8

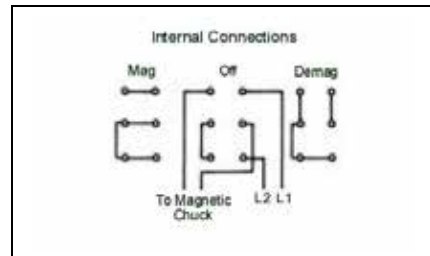


Figure 9 JET4

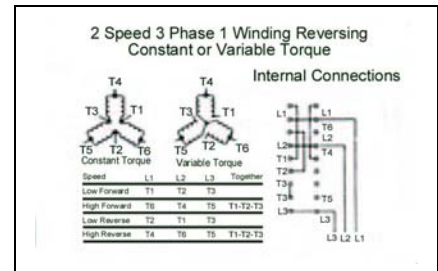


Figure 10 JED4

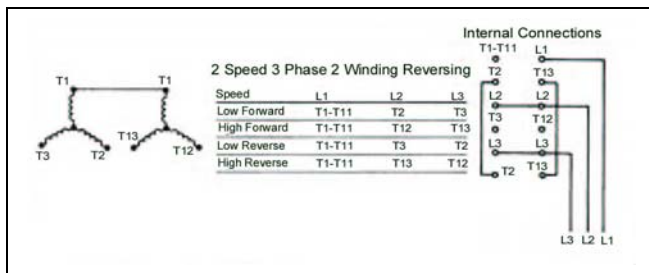
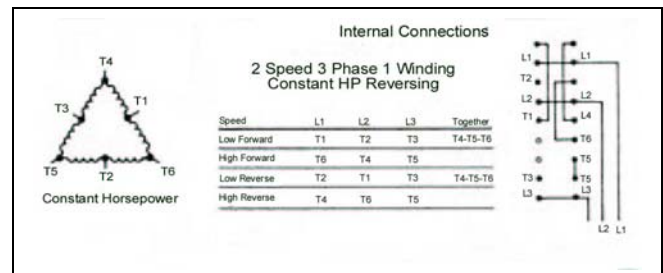


Figure 11 JEH4



Hubbell Industrial Controls, Inc.

a subsidiary of Hubbell Incorporated

4301 Cheyenne Drive, Archdale, NC 27263

Phone (336) 434-2800 | Fax (336) 434-2801

www.hubbell-icd.com

sales@hubbell-icd.com