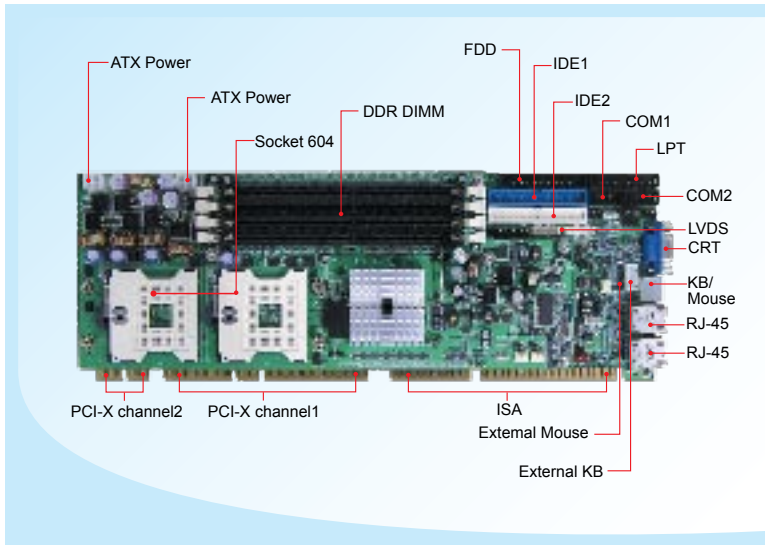


CPU Cards

IB910

Dual Socket 604 PCI-X Full-Size CPU Card w/ Intel® E7501 Chipset

Xeon™-Based



>> Features

- Supports dual Intel® Xeon™ or LV Xeon™ processors
Up to 3.06GHz, 400/533MHz FSB
- DDR DIMM x 4, max. 8GB DDR,
Dual Channel, Reg. ECC
- ATI M7 VGA, 32MB embedded, supports CRT
and LVDS
- Dual Intel® 82546EB Gigabit LAN
- PCI-X slots, 4 x SATA ports

CPU Cards

System

CPU	Dual mPGA604 ZIF socket for Intel® Xeon™ / LV Xeon™, up to 3.06GHz
System Memory	DDR DIMM x 4, Max. 8GB, Dual Channel, Reg. ECC
System Chipset	Intel® E7501 + ICH3-S + 82870P2 (P64H2), 400/533MHz FSB
BIOS	Award
Watchdog Timer	256 levels
SSD	N/A
H/W Monitor	Yes
Expansion Slot	N/A

Graphics

VGA Controller	ATI Mobility M7
VGA Memory	32MB DDR embedded
LCD Interface	24-bit LVDS (dual channel)

Ethernet

LAN Controller	Intel® 82546EB Gigabit LAN for 2 ports PCI-X 133MHz 64-bit
Connector	2 RJ-45 on board

Multi I/O

Chipset	Winbond W83627HF 2x IDE (UDMA33/66/100), 1x FDD, 1x KB, 1x Mouse, 1x RS-232, 1x RS-232/422/485, 1x LPT, 4x SATA
USB	Pin header for 4 ports (USB 1.1)
Audio	N/A

Mechanical and Environmental

Dimensions	338mm x 122mm (13.31" x 4.8")
Max. Power Requirement	Pentium® 4 2.2GHz w/ 512MB DDR +5V: 6.4A +12V: 6.3A
Operating Temperature	0°C~55°C (32°F~131°F)
Storage Temperature	-20°C~80°C (-68°F~176°F)
Relative Humidity	10%~90% (non-condensing)

Ordering Information

IB910	Dual Socket 604 PCI-X E7501 CPU card w/ ATI M7 VGA and dual Gigabit Ethernet (Non RoHS compliant)
-------	---------------------------------------------------------------------------------------------------------

Remarks:

* Specifications are subject to change without prior notice.

For user's manual & datasheet download, visit www.ibase.com.tw