

# SPECIFICATIONS

RoHS Compliant

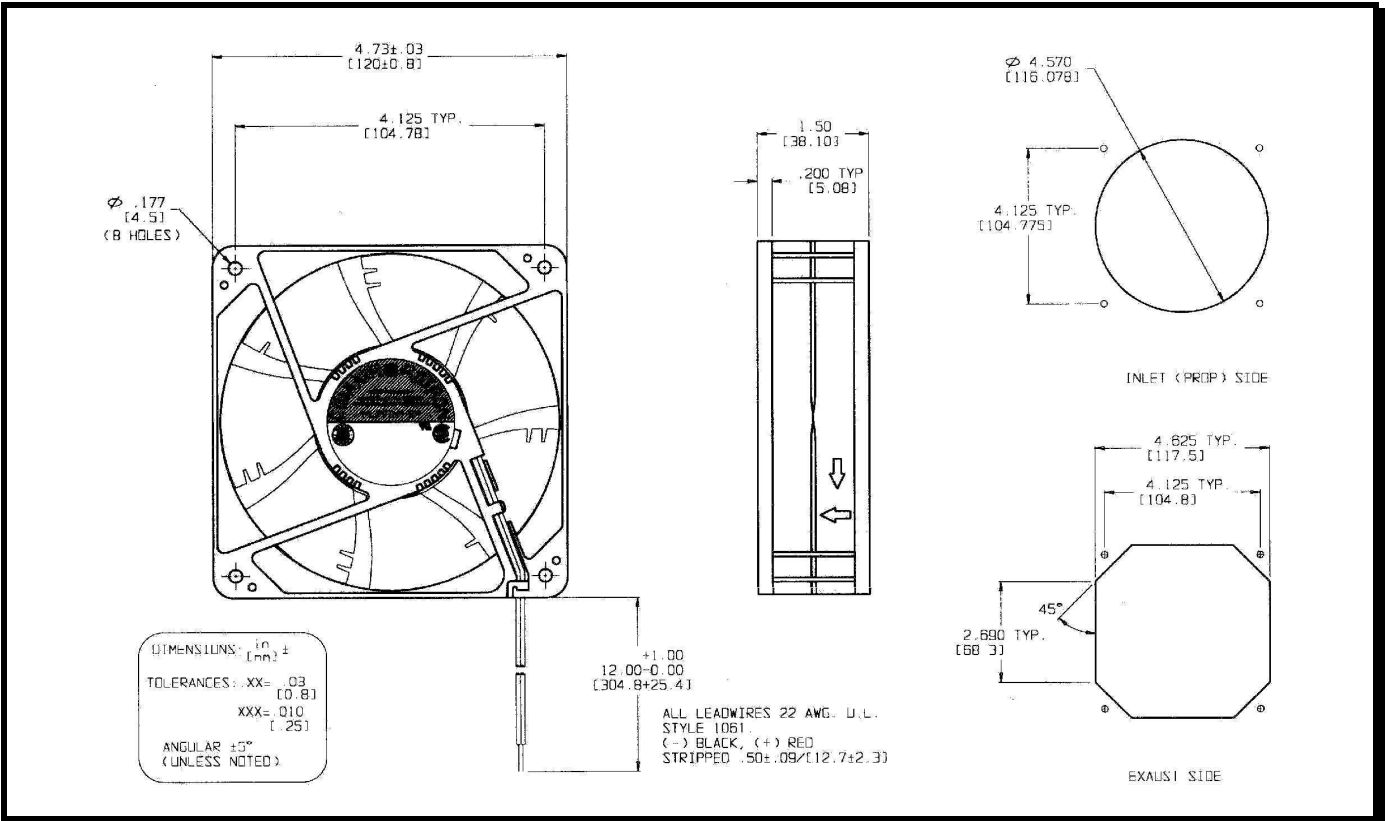


**Model Number:** MS12S7HX

**Part Number:** 032855

May 16, 2012

## Mechanical Drawing:



### Motor (full speed):

Nominal Voltage	= 12 vdc
Operating Voltage Range	= 6 - 14 vdc
Running Current	= 0.58 amps
Max. Locked Rotor Current	= 1.45 amps
Running Power	= 7.0 watts
Speed	= 2900 RPM
Bearings	= Ball
Air Flow	= 110 CFM
Acoustic	= 49.1 dBA

### Construction:

Venturi: Plastic, Black, UL 94V-0  
Propeller: Plastic, Black, UL 94V-0

### Agency Approvals:

UL, cUL

### Life Expectancy:

This fan is designed for continuous duty life of 85,000 hours at 40°C.

### Additional Features:

Brushless DC Motor  
Electronic Locked Rotor Protection  
Automatic Restart Capability  
Polarity Protected  
Thermal Speed Control – PTC in hub of Fan

### Tachometer:

Output: 5 volt TTL  
I<sub>c</sub>: 10mA Max.  
Pulses per Revolution: 2  
Isolated: No

### Termination:

12" Lead wires, 22 AWG, UL 1061  
Red – Power  
Black – Return  
Blue/White - Tachometer