

PDC-170

17" Medical Panel Display Console

NEW



Features

- Medical Panel Display for eHealthcare/Medical Applications
- 17" LCD display
- Spill and dust resistant
- Trim Knob Hotkey(optional)
- USB 2.0 Hub function
- UL2601-1/EN60601-1, CE & FCC Class B certified

Introduction

PDC-170 is a 17" medical grade LCD display that has been approved for EN60601-1 and UL60601-1 to limit power leakage and EMI. The front side of PDC-170 is also dust and water resistant with its IPX1, which ensures that PDC-170 works reliably in medical environments. PDC-170 has been designed with medical applications in mind. Brightness, resolution and contrast ratio are all higher than standard LCD displays, so that it can effectively display applications common in medical treatment such as: CT diagnosis, electrical X-ray, PACS and DICOM. Besides, PDC-170 provides a DVI port for medical images. This port can prevent signal distortion during transmissions. The trim knob and touch screen on the PDC-170 work like a convenient interface that let medical professionals access and control software easily. The front side pad adjusts the display configurations (OSD) to the preferred settings. To extend PDC-170, there is also a USB 2.0 hub function for peripheral connections. PDC-170 works great as a display solution in medical environments, both for patients and medical practitioners.

Specifications

General

- **Front Panel** IP65/NEMA compliant
- **Dimension (W x H x D)** 437 x 377 x 84 mm (17.20" x 14.84" x 3.4")
- **Weight** 6.5 kg (13.3 lb)
- **I/O Port** VGA, DVI, Audio Line in, USB type A x1, USB type B x 2, DC Power input, Power switch, RS-232 port (Touch Screen model only), 1W speaker x2
- **OSD Adjustment** Front side pad control
- **Trim Knob** Up, Down and enter functions via USB port (Optional)
- **Power** External 45W power adapter
- **Max. Power Consumption** 45 Watts
- **Input Voltage** 90 ~ 264 V_{AC}, 1.35 A max @ 50 ~ 60 Hz
- **Output Voltages** +11~+13 V_{DC} @ 4.00 ~ 3.46 A

LCD

- **Display Type** 17" SXGA TFT LCD
- **Max. Resolution** 1280 x 1024
- **Colors** 262 K (6 bits/color)
- **Dot Size (mm)** 0.264 x 0.264
- **Viewing Angle** 140°
- **Luminance** 260 cd/m²
- **Contrast Ratio** 400 : 1
- **Backlight Lifetime** 40,000 hours

Touch Screen

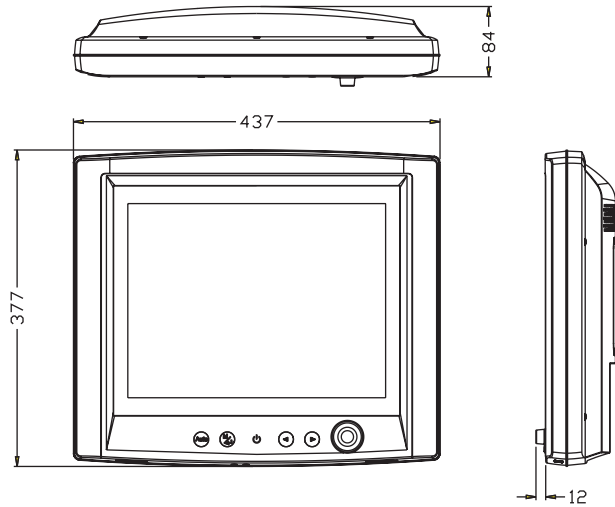
- **Type** Analog Resistive
- **Resolution** Continuous
- **Light Transmission** 75%
- **Controller** RS-232 interface
- **Power Consumption** +5 V @ 200 mA
- **Lifespan** 35 million touches

Environmental

- **Operating Temperature** 0° ~ 50°
- **Storage Temperature** -20° ~ 60°
- **Storage Humidity** 5% ~ 95% non-condensing
- **Vibration (operating)** 20 ~ 500 Hz, 2.0 G Sinusoidal Vibration
- **Shock** 50 G peak acceleration (11 msec duration)
- **Power MTBF** 100,000 hrs
- **Certification** CE, FCC, VCCI, BSMI, UL60950, UL60601-1, EN60950, EN60601-1 approved

Dimensions

Unit: mm



Ordering Information

- PDC-170 17" LCD Panel display console
- PDC-170-K 17" LCD Panel display console with Trim Knob

Optional Accessories

Trim Knob for PDC-170 via USB

Mounting

- VESA 75 x 75 mm, 100 x 100 mm

