



Flight II 80 - FE24B3 - 031163 - Yes
 (Family) (Model) (Part #) (In Stock)

Electrical Specifications

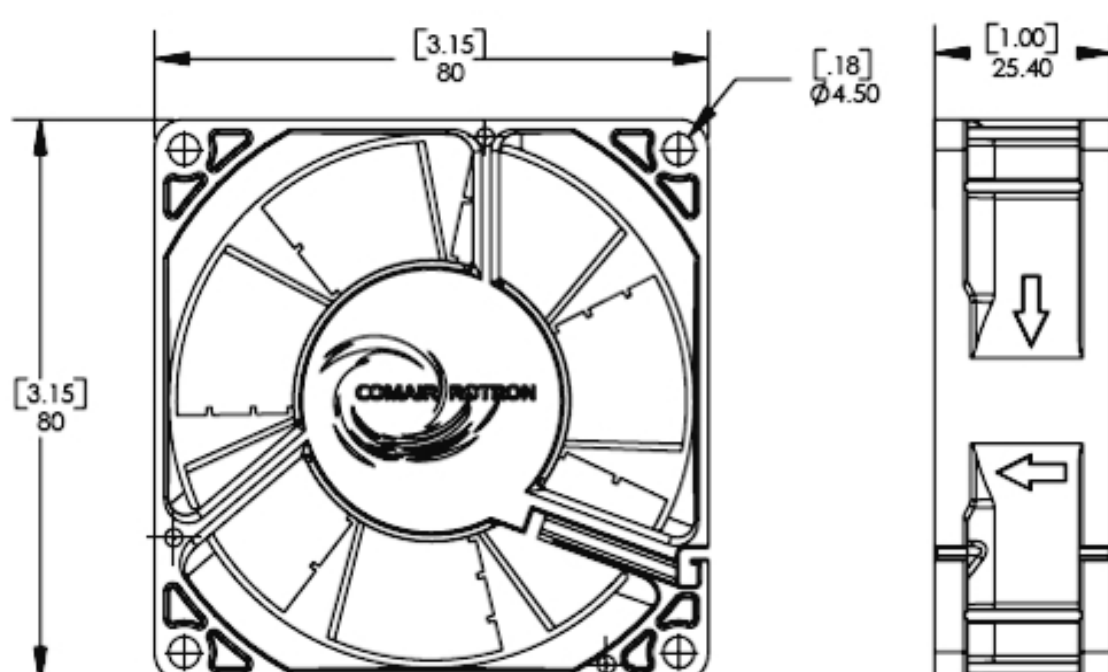
Operating Voltage:	24 Volts
Voltage Range:	12 - 28 Volts
Power Supply:	2.0 Watts
Line Current:	0.09 Amps
Locked Rotor Current	0.32 Amps
Nominal Speed:	3628 RPM

Mechanical Specifications

Dimensions:	3.1 x 3.1 x 1.0 in
Weight	4.6 oz
Max Airflow @ 0 in H ₂ O	37.0 CFM
Max Pressure @ 0 CFM	0.233 in H ₂ O
Noise	36.2 dBA



Mechanical Drawing



Comair Rotron, Inc.
 Phone: 858.348.6200
 FAX: 858.566.4577
 sales@comairrotron.com

ThermaFlo, Inc.
 Phone: 972.312.8609
 FAX: 972.312.8617
 info@thermaflo.com

Comair Rotron Europe, Ltd.
 Phone: +44.1527.520525
 FAX: +44.1527.520565
 saleseurope@comairrotron.com

Comair Rotron Fan Company Ltd.
 Phone: +86.21.52260581
 FAX: +86.21.52260597
 salesasia@comairrotron.com

Print Date: Saturday, August 18, 2007 at 23:50:26 - DC Fan Datasheet - Web Version 1.0 Rev. B



Fan Performance Curve

Fan Configuration Options

Flight II 80 (Family)	FE24B3 / 031163 (Model) (Part #)	Yes (In Stock)	305 mm [12 inch] Leads (Features)
Fan Speed:	3628 RPM	Fan Bearings:	Ball Bearings
Fan Airflow Direction:	Flow R (CCW Rotation)	Fan Termination:	Leads
Fan Monitoring Options:	No Fan Monitoring Options Selected		
Fan Speed Control Option:	No ThermaPro -V Fan Speed Control Options Selected		
Environmental Protection Options:	No Enviroshield Options Selected		

Comair Rotron, Inc.
 Phone: 858.348.6200
 FAX: 858.566.4577
 sales@comairrotron.com

ThermaFlo, Inc.
 Phone: 972.312.8609
 FAX: 972.312.8617
 info@thermaflo.com

Comair Rotron Europe, Ltd.
 Phone: +44.1527.520525
 FAX: +44.1527.520565
 saleseurope@comairrotron.com

Comair Rotron Fan Company Ltd.
 Phone: +86.21.52260581
 FAX: +86.21.52260597
 salesasia@comairrotron.com

Print Date: Saturday, August 18, 2007 at 23:50:26 - DC Fan Datasheet - Web Version 1.0 Rev. B



Accessories (Click on part number for detailed drawing.)

554141
 Filter Guard Assembly

550648
 Finger Guard

476143
 Finger Guard

Comair Rotron, Inc.
 Phone: 858.348.6200
 FAX: 858.566.4577
 sales@comairrotron.com

ThermaFlo, Inc.
 Phone: 972.312.8609
 FAX: 972.312.8617
 info@thermaflo.com

Comair Rotron Europe, Ltd.
 Phone: +44.1527.520525
 FAX: +44.1527.520565
 saleseurope@comairrotron.com

Comair Rotron Fan Company Ltd.
 Phone: +86.21.52260581
 FAX: +86.21.52260597
 salesasia@comairrotron.com

Print Date: Saturday, August 18, 2007 at 23:50:26 - DC Fan Datasheet - Web Version 1.0 Rev. B