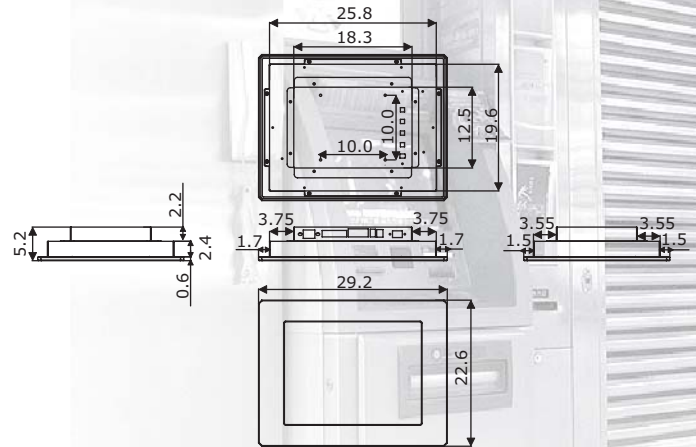


BPD-9210

10.4" Panel Display Module



System

LCD Technology

Active matrix TFT color LCD
10.4" diagonal screen size
800 x 600 addressable pixels
0.264 mm x 0.264 mm Pixel Pitch
230 cd/m²(typ.) Brightness
500:1 (typ.) Contrast Ratio
Tr+Tf: 25ms (typ.)
(U)55 (D)65 (L)70 (R)70 Viewing Angle

Display Resolution

800 pixels (H) x 600 lines (V)

Touch Panel

5W Resistive Type with USB interface connector

Active Display Area

211.2 (H) x 158.4 (V) mm

Displayable Color

26.2K colors

Horizontal Scan

31.5kHz to 60kHz

Vertical Refresh

56Hz to 75Hz

Pixel Frequency

50MHz

Compatibility

IBM & VESA VGA: 640 x 350, 70Hz, 640 x 400, 70Hz,
720 x 400, 70Hz, 640 x 480, 60Hz
VESA VGA: 640 x 480, 72/75Hz
VESA SVGA: 800 x 600, 56/60/72/75Hz

Input Signal

Analog RGB 0.7 Vp-p

Auto-Adjustment

Yes

I/O Connectors

DC power in
VGA in D-sub 15 pin DVI (option)
USB Connect

User Controls

Power On/Off Button
External Auto-Adjustment
OSD Control items: Auto Tune, Auto Contrast, Brightness,
Contrast, H Position, V Position, Detail Adjust, Color
Temperate, OSD Setup, Image Setting, Recall

Power Saving

VESA DPMS standard (4 mode)

Power Consumption

12 watt (max.), < 3 watt (stand by mode)

Environmental Operating Temperature

0°~50°C

Humidity

80% maximum

Storage

Temperature: -20°~60°C/-4°~140°F

Humidity: 90% maximum

Dimension (LxHxW)

29.2 x 22.6 x 5.2 cm

Cut Out Size (LxH)

26.2 x 20.0 cm

Ordering Guide

BPD-9210

10.4" Panel Display Module w/TFT Panel, Touch Screen,
12V DC Adapter

OPD-9210

10.4" Open Frame Panel Display Module w/TFT Panel,
Touch Screen, 12V DC Adapter

● Panel PC

● Bare Bone

● SBC

● Chassis

● Power Supply

● Backplane