



Muffin AC - MU2A4 - 027301
 (Family) (Model) (Part Number)

Electrical Specifications

Rated Voltage:	115 VAC
AC Frequency:	60 Hz
Power Supply:	14.0 Watts
Line Current:	0.16 Amps
Locked Rotor Current	0.25 Amps
Nominal Speed:	3100 RPM



Mechanical Specifications

Dimensions:	4.72in x 1.50in
Weight	17.2 oz
Max Airflow @ 0 in H ₂ O	102.0 CFM
Max Pressure @ 0 CFM	0.296 in H ₂ O
Noise	45.1 dBA

Comair Rotron, Inc.
 Phone: 858.348.6200
 FAX: 858.566.4577
 sales@comairrotron.com

ThermaFlo, Inc.
 Phone: 972.312.8609
 FAX: 972.312.8617
 info@thermaflo.com

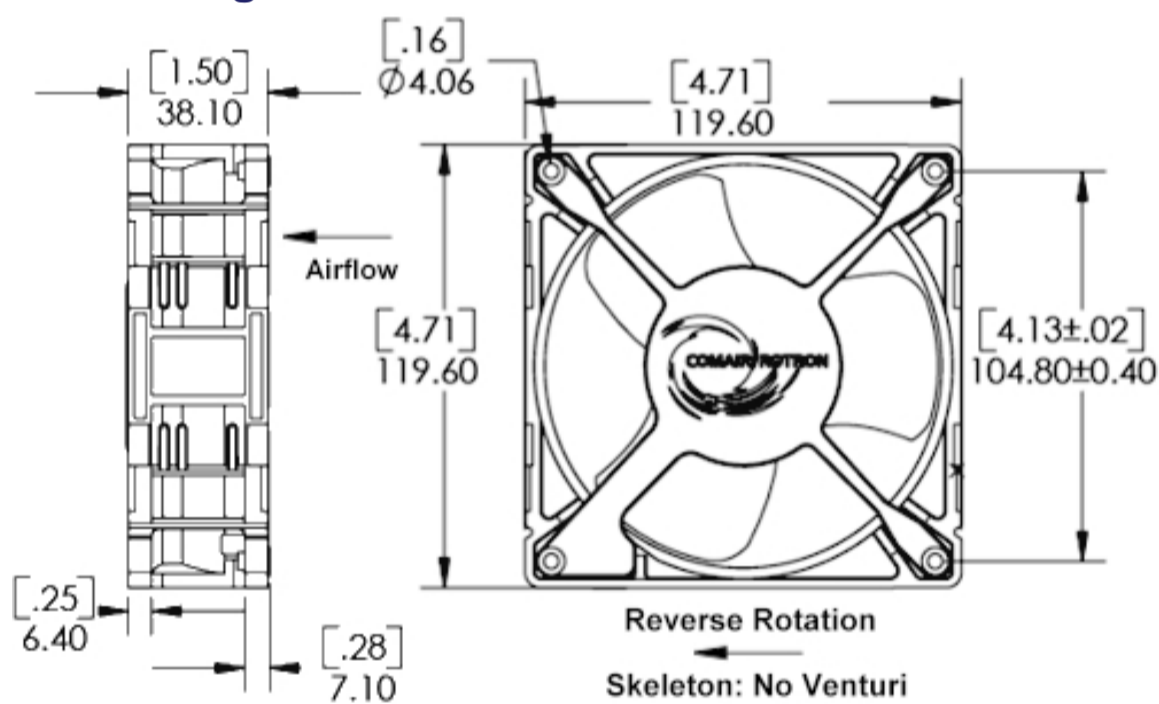
Comair Rotron Europe, Ltd.
 Phone: +44.1527.520525
 FAX: +44.1527.520565
 saleseurope@comairrotron.com

Comair Rotron Fan Company Ltd.
 Phone: +86.21.52260581
 FAX: +86.21.52260597
 salesasia@comairrotron.com

Print Date: Saturday, August 18, 2007 at 23:31:04 - AC Fan Datasheet - Web Version 1.0 Rev. A



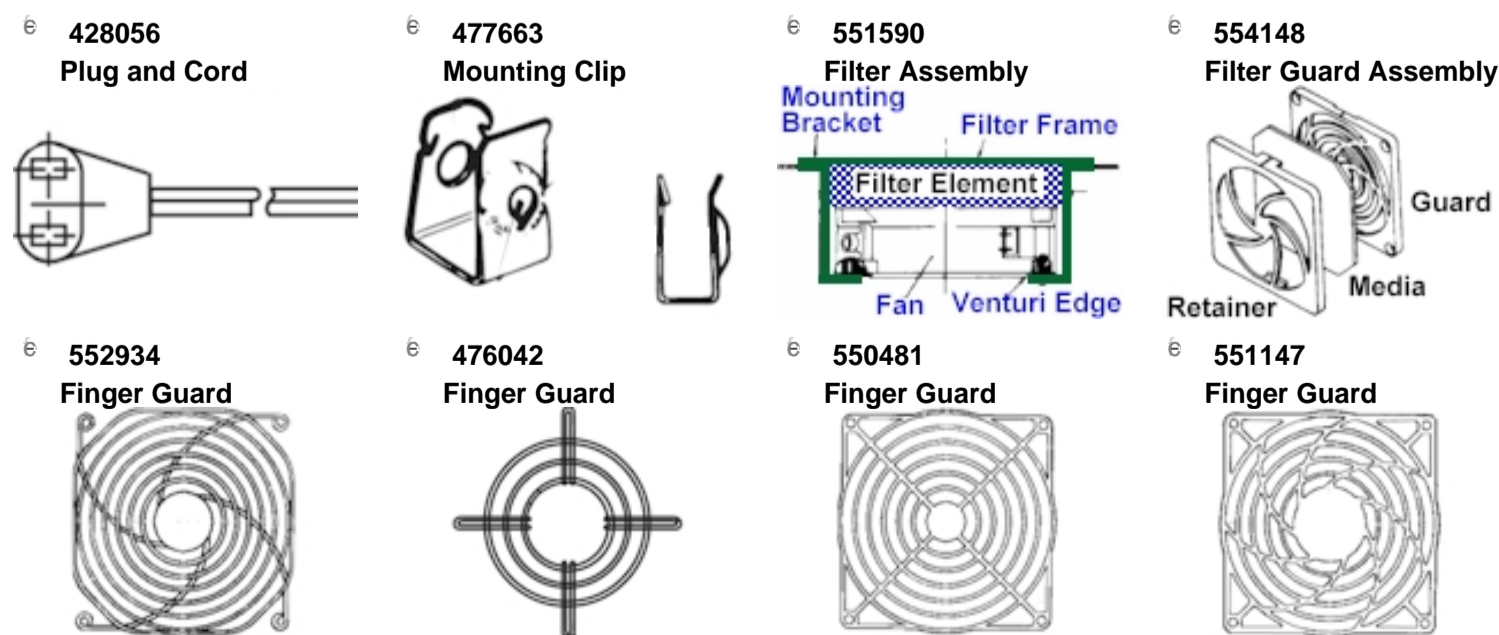
Mechanical Drawing



Options

Part Number	Model Number	Bearing Type	Fan Rotation	Termination	In-Stock (Click 'Yes' for current stock)
028027	MU2B1	Ball	Normal	Terminals	Yes
028028	MU2B2	Ball	Normal	Terminals, No Venturi	No
039666	MU2B4	Ball	Reverse	Terminals, No Venturi	No
028021	MU2A1	Sleeve	Normal	Terminals	Yes
028022	MU2A2	Sleeve	Normal	Terminals, No Venturi	No
027300	MU2A3	Sleeve	Reverse	Terminals	No
027301	MU2A4	Sleeve	Reverse	Terminals, No Venturi	No

Accessories (Click on part number for detailed drawing.)



Comair Rotron, Inc.
 Phone: 858.348.6200
 FAX: 858.566.4577
 sales@comairrotron.com

ThermaFlo, Inc.
 Phone: 972.312.8609
 FAX: 972.312.8617
 info@thermaflo.com

Comair Rotron Europe, Ltd.
 Phone: +44.1527.520525
 FAX: +44.1527.520565
 saleseurope@comairrotron.com

Comair Rotron Fan Company Ltd.
 Phone: +86.21.52260581
 FAX: +86.21.52260597
 salesasia@comairrotron.com

Print Date: Saturday, August 18, 2007 at 23:31:04 - AC Fan Datasheet - Web Version 1.0 Rev. A