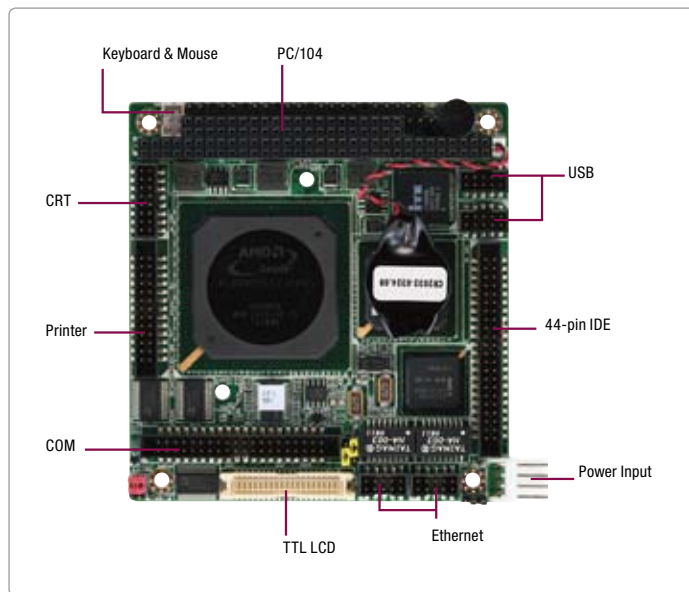


PFM-5411

PC/104 Module with Onboard AMD Geode™ LX800 Processor

04

PC/104 Modules



Features

- Onboard AMD Geode™ LX800 Processor
- AMD Geode™ LX800 + CS5536
- Onboard DDR333 Memory 256 MB
- 10/100Base-TX Ethernet x 2
- CRT & Up To 24-bit TTL LCD Support
- EIDE x 1, CompactFlash™ x 1
- USB2.0 x 4, COM x 4, Parallel x 1
- PC/104 Expansion
- +5V Only Operation, AT Power Type

Specifications

System	
Form Factor	PC/104
Processor	Onboard AMD Geode™ LX800 (500 MHz) Processor
System Memory	Onboard DDR333 Memory – 256 MB
Chipset	AMD Geode™ LX series + CS5536
I/O Chipset	SMSC SCH3114-Nu
Ethernet	Intel® 82551ER, 10/100Base-TX x 2
BIOS	Award Plug & Play BIOS - 1 MB ROM
Wake on LAN	—
Watchdog Timer	Generates a time-out system reset
H/W Status Monitoring	Supports power supply voltages and temperature monitoring
Expansion Interface	PC/104
Battery	Lithium battery
Power Requirement	+5V/AT
Power Consumption (Typical)	AMD Geode™ LX800 500 MHz, DDR400 256 MB 1.83A@+5V
Board Size	3.55" (L) x 3.77" (W) (90mm x 96mm)
Gross Weight	1.2 lb (0.5kg)
Operating Temperature	32°F ~ 140°F (0°C ~ 60°C), -40°F ~ 176°F (-40°C ~ 80°C) for WiTAS2
Storage Temperature	-40°F ~ 176°F (-40°C ~ 80°C)
Operating Humidity	0% ~ 90% relative humidity, non-condensing
MTBF (Hours)	90,000
Display	
Chipset	AMD Geode™ LX series + CS5536
Memory	Shared system memory up to 254MB
Resolutions	Up to 1600 x 1200 @ 32bpp colors for CRT Up to 1024 x 768 for LCD
LCD Interface	18/24-bit TTL TFT LCD
I/O	
Storage	EIDE x 1 (UDMA-33 for one device), Type 1 CompactFlash™ x 1
Serial Port	RS-232 x 3, RS-232/422/485 x 1
Parallel Port	SPP/EPP/ECP mode
USB	USB2.0 x 4
PS/2 Port	Keyboard + Mouse x 1



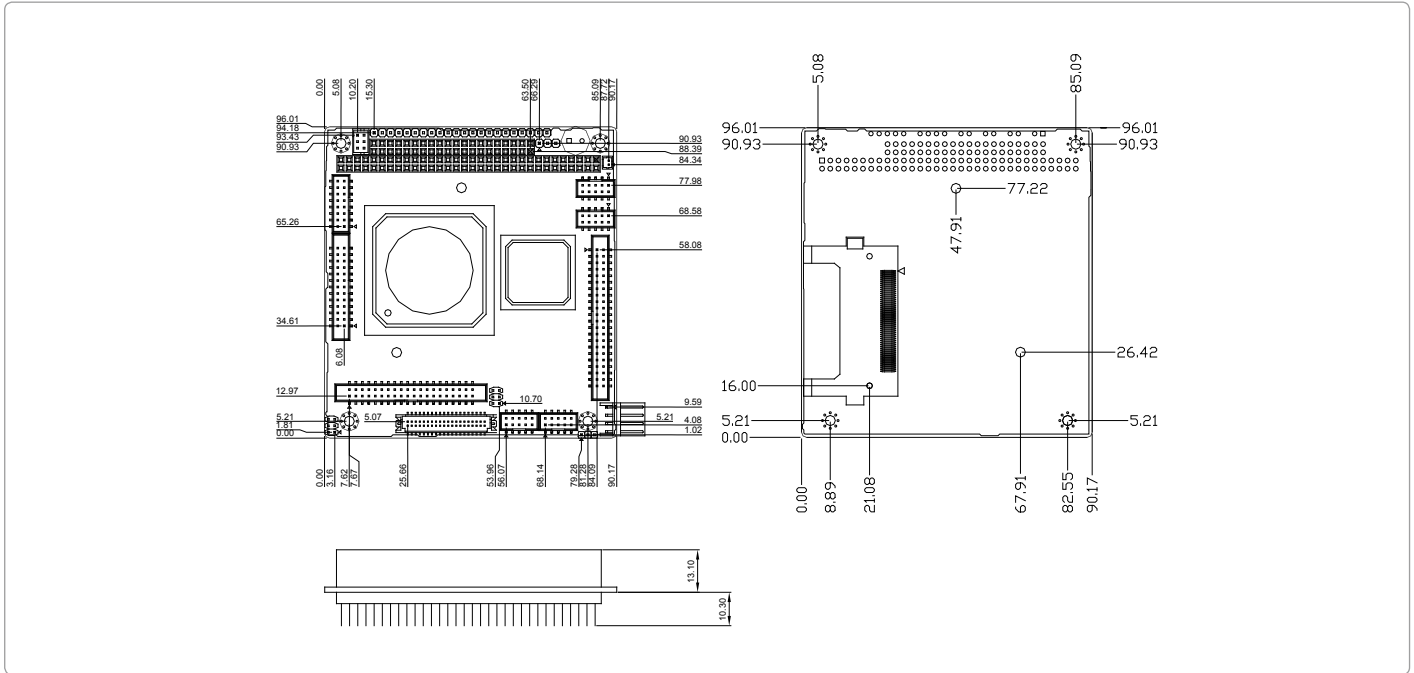
Packing List

- Cable Kit
- Product CD
- PFM-5411 with Heatsink

PFM-5411

Dimension

Unit: mm



Ordering Information

Part Number	CPU	RAM	Fan/ Fanless	Storage	Display	LVDS	LAN	USB	RS-232	RS-232/422/485	Parallel	Expansion Slot	Power	Temp.
TF-PFM-5411-A10	AMD Geode™ LX800	256MB	Fanless	EIDE x 1, CompactFlash™ x 1	CRT + TTL	18/24b, 1CH	FE x 2	4	3	1	1	PC/104	+5W/AT	0°C ~ 60°C
TF-PFM-5411W2-A10	AMD Geode™ LX800	256MB	Fanless	EIDE x 1, CompactFlash™ x 1	CRT + TTL	18/24b, 1CH	FE x 2	4	3	1	1	PC/104	+5W/AT	WITAS 2 (-40°C ~ 80°C)

Optional Accessories

- **PFM-P13DW2-A10**
PC/104 Board Power Supply Module with +5V & +12V Output PC/104, Rev. A1.0 WITAS 2
- **PCM-3538T-A10**
TTL to LVDS Transmitter Module Rev. A1.0
- **1709100201**
USB Cable, Length 20cm
- **1701260201**
Printer Port Cable, Length 20cm
- **1700100200**
LAN Cable, Length 20cm
- **1701400205**
COM Cable, Length 20cm