

# Gladius G1056

10.4" AMD™ Embedded G-series T56N Rugged Tablet PC



## Features

- 10.4" AFFS+ TFT Active Matrix with Resistive and Digitizer Touch Screen
- AMD™ Fusion G-T56N Accelerated Processing Unit
- Integrated 4GB DDR3-1333 Memory and 32GB 1.8" SATA SSD Drive
- Multi Connectivity (HSUPA 3.75G, WLAN, Gigabit Ethernet, Bluetooth)
- Intergrated 2.0 Megapixel Auto Focus CMOS Camera and RFID
- Two Hot-swappable Batteries with 5 Hours Battery Life
- CE/FCC Class B, VCCI Certified

## System

<b>CPU</b>	AMD™ APU G-T56N 1.6GHz processor
<b>Graphics Controller</b>	AMD® Radeon™ HD 6320
<b>Memory</b>	4GB DDR3-1333 SDRAM installed
<b>Chipset</b>	AMD® Platform Control Hub A50M
<b>BIOS</b>	AMI Aptio® UEFI BIOS
	1 x Integrated microphone
<b>Audio</b>	2 x Integrated 2W speakers
	1 x Earphone jack
<b>Storage</b>	1 x 32GB 1.8" SATA SSD

## Peripherals and Devices

<b>Serial Port</b>	1 x RS-232 port
<b>Camera</b>	1 x 2.0 megapixels Auto Focus CMOS camera (optional)
<b>USB Port</b>	4 x USB 2.0 ports
<b>Ethernet</b>	1 x Realtek Gigabit Ethernet controller
<b>RFID</b>	Integrated 13.56MHz, ISO 15693/14443A/14443B RFID Reader (distance: 3~5cm; speed: 5 cards/sec) (optional)
<b>Wi-Fi</b>	Integrated WLAN 802.11 b/g/n
<b>Bluetooth</b>	Integrated Bluetooth 2.1 + EDR (optional)
<b>GSM/UMTS</b>	Gobi 3000 HSUPA module (3.75G) for GSM/GPRS/EDGE, EV-DO networks (optional)
<b>Expansion</b>	1 x 35-pin pogo connector for connection with vehicle cradle
<b>Video Port</b>	1 x VGA, 1 x mini Displayport

## Button & Indicator

<b>Function Key</b>	1 x 5-way function key
<b>Power Button</b>	1 x Power on/off button
<b>LED</b>	4 x LEDs (Power, Battery Status, Wi-Fi/RFID, Bluetooth)
<b>Camera</b>	1 x 2.0 MP Auto Focus CMOS camera

## LCD Display

<b>Size/Type</b>	10.4" AFFS+ TFT Active Matrix Panel
<b>Max. Resolution</b>	1024 (H) x 768 (V)
<b>Luminance</b>	340 cd/m <sup>2</sup>
<b>Contrast Ratio</b>	600:1
<b>Viewing Angle</b>	178° (H) / 178° (V)
<b>Backlight Type</b>	LED

## Touch Screen

<b>Type</b>	5-wire Analog Resistive Touch
<b>Controller Interface</b>	USB Interface
<b>Digitizer</b>	Battery-free tablet digitizer with battery-free pen

## Power Supply

<b>Adapter Input</b>	100 ~ 240VAC (Full Range)
<b>Adapter Output</b>	19VDC, 4.74A, 90W
<b>Battery Type</b>	Li-battery pack
<b>Battery Capacity</b>	2 x 2500mAh 3-cell
<b>Battery Operating Time</b>	5 hours

## Mechanical & Environmental

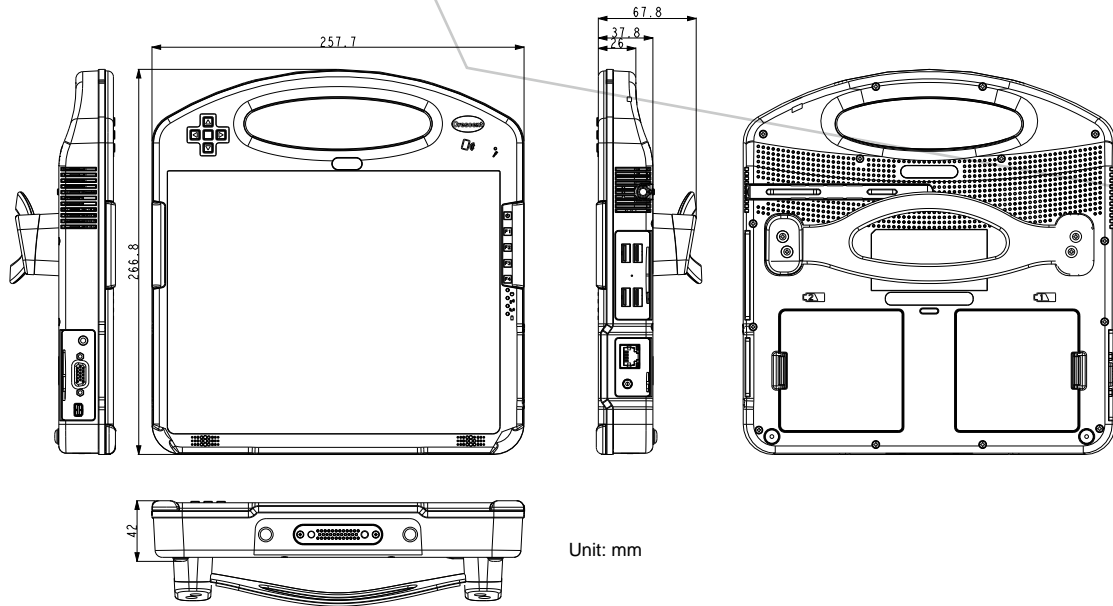
<b>Operating Temp.</b>	-20 ~ 40°C (-4 ~ 104°F)
<b>Charging Temp.</b>	0 ~ 40°C (32 ~ 104°F)
<b>Storage Temp.</b>	-20 ~ 60°C (-4 ~ 140°F)
<b>Storage Humidity</b>	5 to 25% (non-condensing)
<b>Dimensions (W x D x H)</b>	266.8 x 257.7 x 67.7 mm (10.5" x 10.1" x 2.7")
<b>Gross Weight</b>	1.8 kg (3.9 lb)
<b>Vibration</b>	3 Grms/ 5 ~ 500Hz/ random operation
<b>Shock</b>	40G peak acceleration (11 ms duration)
<b>Transit Drop</b>	90cm (3 feet), except the front side
<b>IP Rating</b>	IP54 (Front panel only)
<b>Regulatory</b>	CE/FCC Class B, VCCI certified

## Ordering Information

<b>G1056</b>	10.4" AMD™ APU G-T56N rugged tablet PC with WiFi, Bluetooth, Camera, RFID, HSUPA
<b>G1056-Lite</b>	10.4" AMD™ APU G-T56N rugged tablet PC with WiFi

All specifications are subject to change without notice.

## Dimensions



Unit: mm

## Standard Accessories

### Power Adapter

19VDC, 4.74A, 90W AC/DC Adapter Kit



### Digitizer Pen

Used for Touch Screen



### External Battery

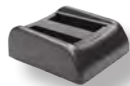
2 x 2500mAh External Battery Kit



## Optional Accessories

### CHR-1056

Battery Charger for G1056



### eBAT-1056

2500mAh External Battery Kit



### PEN-1056

Battery-free Digitizer Pen Kit



## Optional Configuration (CTOS\* Kit)

### CAM-1056

2.0M CMOS Camera Kit



### RFID-1056

13.56MHz RFID Kit



### HSUPA-1056

3.75G HSUPA Wireless Kit



### BT-1056

Bluetooth 2.1 + EDR Kit



\*CTOS means Configure to Order Service.

