



## PRODUCTS FOR OTHER POWER/ CONTROL APPLICATIONS

### Control Connectors

Poles	Face View Male	Wiring Code	AWG Cable Size	Rating 600V 60°C	Lead Length ft.	Male Plugs	Female Plugs	Male Recept. With Screw Termination	Female Recept. With Screw Termination
3		1-Green 2-Black 3-White 4-No Connection	#12	25A	6	32902	32905	32911	32901
					12	32903	32906		
4		1-Green 2-Black 3-White 4-Red 5-No Connection	#12	20A	6	33204	33206	33202	33201
					12	33203	33207		
5		1-Green 2-Orange 3-Black 4-White 5-Red	#12	16A	6	33504	33509	33505	33501
					12	33502	33510		
6		1-Green 2-Orange 3-Blue 4-Black 5-White 6-Red	#12	16A	6	33804	33809	33806	33801
					12	33802	33810		
			#14	12A	6	33807	33812		
					12	33805	33813		
7		1-Green 2-Orange 3-Blue 4-Wht. w/Blk. Tr. 5-Black 6-White 7-Red	#12	16A	6	34109	34119	34110	34101
					12	34106	34120		
			#14	12A	6	34111	34122		
					12	34132	34123		
8		1-Green 2-Orange 3-Blue 4-Wht. w/Blk. Tr. 5-Red w/Blk. Tr. 6-Black 7-White 8-Red	#12	14A	6	34404	34415	34421	34401
					12	34405	34416		
			#14	11A	6	34406	34418		
					12	34407	34416		
9		1-Green 2-Orange 3-Blue 4-Wht. w/Blk. Tr. 5-Red w/Blk. Tr. 6-Green w/Blk. Tr. 7-Black 8-White 9-Red	#12	14A	6	34714	34725	34716	34701
					12	34713	34726		
			#14	11A	6	34717	34428		
					12	34718	34729		
10		1-Green 2-Orange 3-Blue 4-Wht. w/Blk. Tr. 5-Red w/Blk. Tr. 6-Green w/Blk. Tr. 7-Org. w/Blk. Tr. 8-Black 9-White 10-Red	#12	14A	6	65005	65015	65014	65001
					12	65003	65017		
			#14	11A	6	65006	65018		
					12	65004	65019		
11		1-Green 2-Orange 3-Blue 4-Wht. w/Blk. Tr. 5-Red w/Blk. Tr. 6-Green w/Blk. Tr. 7-Org. w/Blk. Tr. 8-Blue w/Blk. Tr. 9-White 10-Black 11-Red	#12	10A	6	65303	65315	65308	65301
					12	65302	65316		
			#14	7A	6	65305	65318		
					12	65306	65319		
12		1-Green 2-Orange 3-Blue 4-Wht. w/Blk. Tr. 5-Red w/Blk. Tr. 6-Green w/Blk. Tr. 7-Org. w/Blk. Tr. 8-Blue w/Blk. Tr. 9-White 10-Black 11-Red 12-Blk. w/Blk. Tr.	#12	10A	6	35622	35629	35620	35601
					12	35610	35630		
			#14	7A	6	35653	35632		
					12	35654	35633		



**CALL YOUR WOODHEAD  
REPRESENTATIVE TODAY!**

SEE PAGES 2-7



## PRODUCTS FOR OTHER POWER/ CONTROL APPLICATIONS



In heavy-duty industrial applications such as: press controls, control circuit instrument panels, die blocks, and safety fences and gates, Brad Harrison® products are the industry standard. Control Connector plugs and receptacles are available in 3-12 pole configurations, insulated with durable, impact-resistant Neoprene™ rubber. Brad Harrison® Safety Plugs provide electrical lockout during maintenance. Dual Round Connectors feature a unique plug and receptacle design that prevents mismatching.

### SAFETY PLUGS

Face View of Males			
Rated @ 25A, 600VAC	Yellow	Red	Orange
Shorting Plug with 1ft. Chain	<b>22803</b>	<b>22904</b>	<b>43302</b>
Shorting Plug with 2ft. Chain	<b>22804</b>	<b>22905</b>	<b>43303</b>
Shorting Plug with 3ft. Chain	<b>22805</b>	<b>22906</b>	<b>43304</b>
Rubber Angle Receptacle	<b>22801</b>	<b>22903</b>	<b>43301</b>
Cast Receptacle Assembly <sup>1</sup>	<b>22806</b>	<b>22902</b>	<b>43305</b>
Insert for Cast Receptacle Assembly	<b>22802</b>	<b>22901</b>	<b>43306</b>
Insert with Mounting Shell	<b>22807</b>	<b>22907</b>	<b>43308</b>
Mounting Shell	<b>50-0081</b>	<b>50-0081</b>	<b>50-0081</b>
Mounting/Wiring Box	<b>65-0040</b>	<b>65-0040</b>	<b>65-0040</b>

<sup>1</sup> Includes insert, mounting shell and wiring box



**CALL YOUR WOODHEAD REPRESENTATIVE TODAY!**

SEE PAGES 2-7



## CONTROL CONNECTORS

### Product Specifications — Plugs

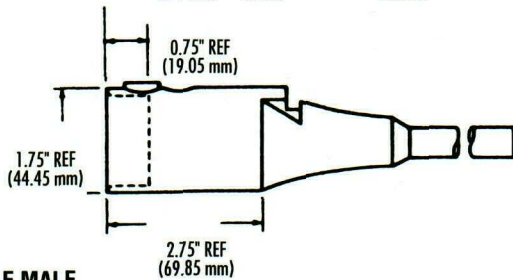
<b>MECHANICAL</b>			
PLUG:	MOLDED HEAD: NEOPRENE (BLACK)		
SHROUD MATERIAL:	(MALE ONLY): BLACK POLYCARBONATE		
CONTACT MATERIAL:	BRASS		
CABLE:	JACKET MATERIAL — NEOPRENE (BLACK)		
	CONDUCTOR INSULATION MATERIAL — SYNTHETIC RUBBER		
STRANDING:	#14 AWG - 41 X #30		
	#12 AWG - 65 X #30		
CABLE DIAMETERS:	# POLE	#14 AWG	#12 AWG
	3 POLE	N/A	.62IN.
	4 POLE	N/A	.68IN.
	5 POLE	N/A	.74IN.
	6 POLE	.72IN.	.81IN.
	7 POLE	.74IN.	.84IN.
	8 POLE	.78IN.	.86IN.
	9 POLE	.85IN.	1.02IN.
	10 POLE	.91IN.	1.02IN.
	11 POLE	.93IN.	1.05IN.
	12 POLE	.93IN.	1.05IN.

<b>MECHANICAL</b>	
RECEPTACLE	
HOUSING MATERIAL:	NEOPRENE
CONTACT MATERIAL:	BRASS
TERMINATION:	SCREW TYPE
TERMINATION RANGE:	16 THROUGH 12 AWG

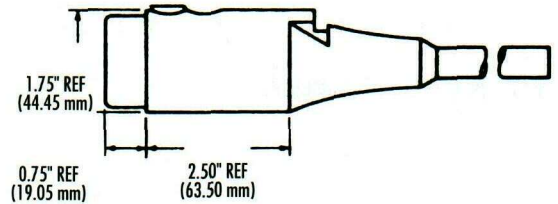
<b>ELECTRICAL</b>	
VOLTAGE RATING:	600V
CURRENT RATING:	10 TO 20A

<b>ENVIRONMENTAL</b>	
AMBIENT OPERATING TEMP:	-20° TO 60°C

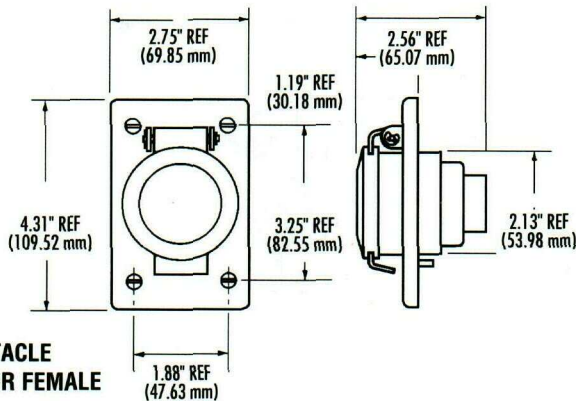
<b>CERTIFICATIONS</b>	
UL:	UL RECOGNIZED, FILE NO. E46237



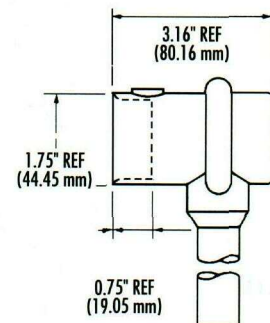
**PORTABLE MALE**



**PORTABLE FEMALE**



**RECEPTACLE MALE OR FEMALE**



**PORTABLE RIGHT ANGLE**

### Interlock Plugs

No. of Poles	Catalog Numbers	PIN Shorting	Chain Length (ft.)	Special Notes
9	34731	2-8, 3-9, 4-6, 5-7	3	PINS 4, 5, 6, & 7 — 1/2in. Long
9	34740	2-8, 3-9, 4-6, 5-7	2	#1/0 Chain
12	35664	2-4, 3-9, 5-10, 6-8, 7-11	3	#1/0 Chain Yellow Body
12	35706	1-12, 2-4, 5-10, 6-8	3	#4 Chain