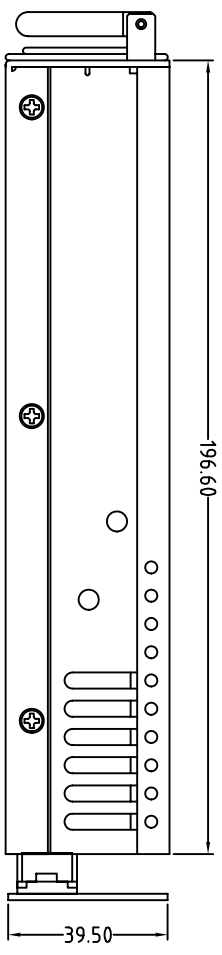
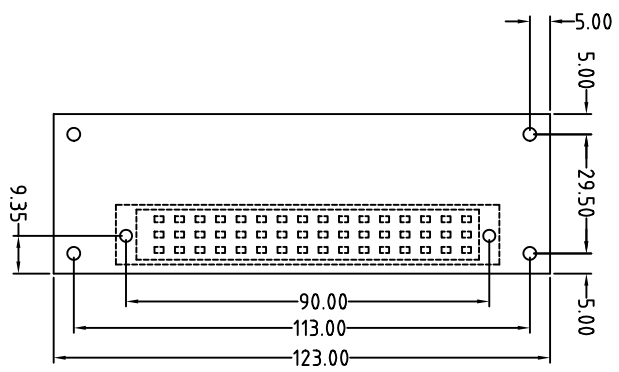
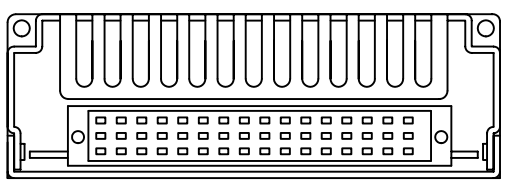
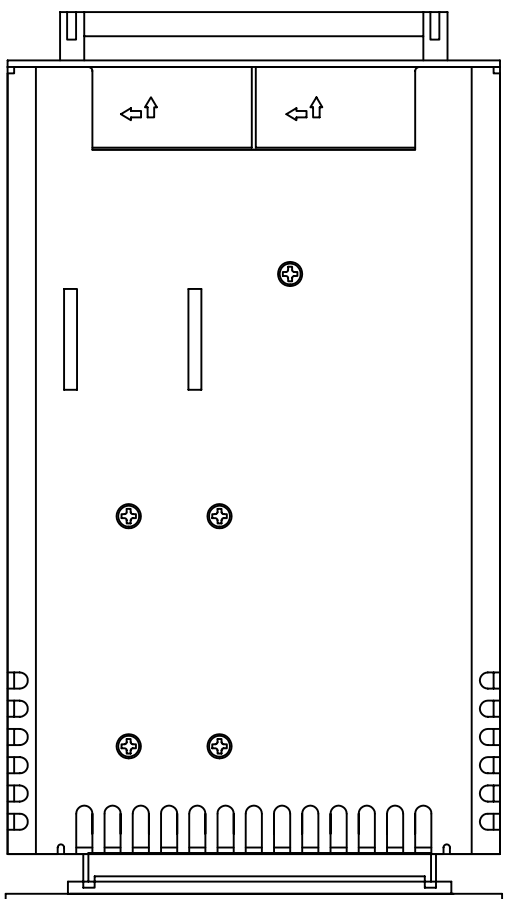
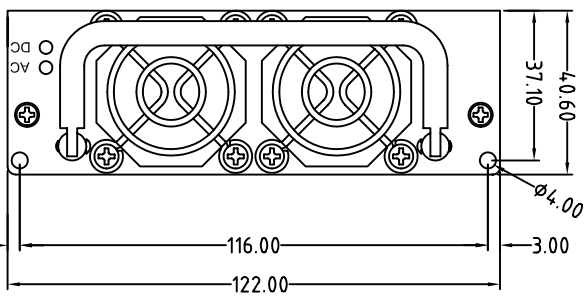


Rev	Revision note	Date	Drawing By	Check By	Approved By
A	NEW DRAWING ISSUE	03/05/2003	STEVEN		



MODEL	NAME	 Power Supply Designer and Manufacturer
EPRP-302A ASSY		
NOTES	MATERIAL	UNIT
1. DRAWING TO BE REVIEWED BY USER		MM
2. FINISH TO BE CONFIRMED BY USER		SCALE
3. DIMENSIONS TO BE CONFIRMED BY USER		1/1
4. TOLERANCES TO BE CONFIRMED BY USER		SHEET
5. OTHER NOTES		1 OF 1
	DRAWING NO.	