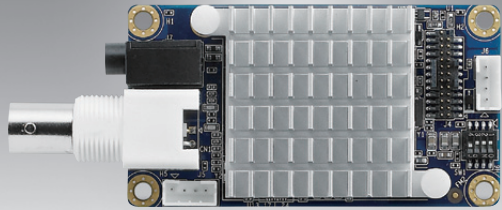


DSPC-8601-USBE

1-ch H.264 USB
Video Capture Module
with SDK

NEW



Features

- Powered by TI TMS320DM365 SoC
- 1 channel composite video input with H.264 hardware compression
- Supports PCM/G.711 hardware audio compression
- 30/25 fps (NTSC/PAL) at full D1 resolution for recording
- High-speed USB 2.0 interface
- SDK with VC++ sample codes



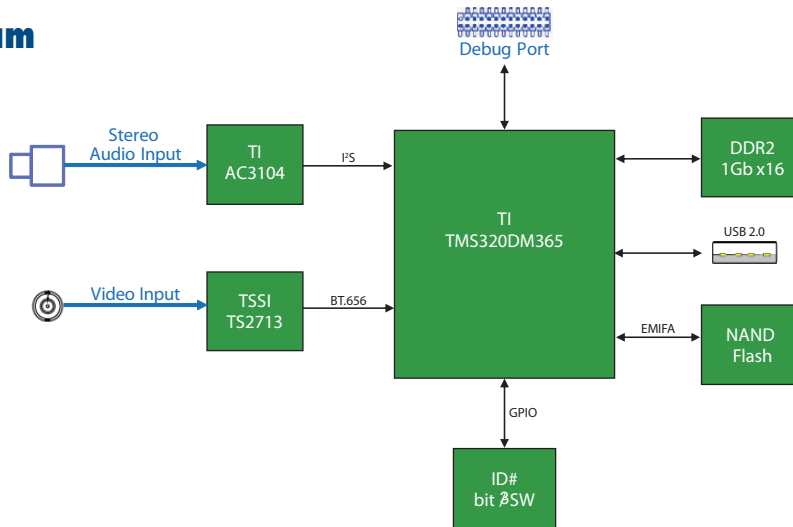
Introduction

DSPC-8601-USBE is a USB 2.0 high-speed video capture module with 1 analog video input and 1 stereo audio input. DSPC-8601-USBE supports H.264 compression formats up to full D1 resolution at real-time frame rate (30/25fps). With an easy-to-use software development kit (SDK), DSPC-8601-USBE is an ideal solution for system integrators to implement versatile video capturing and encoding applications that fulfill a wide variety of customer requirements.

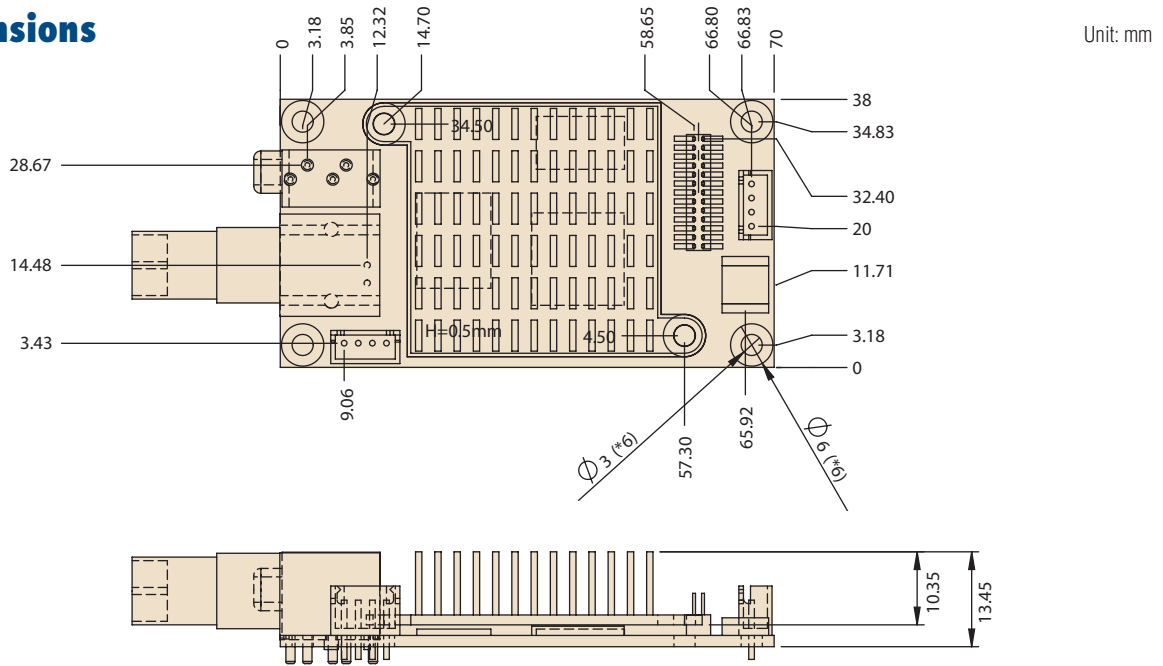
Specifications

Video Input	Channels	1
	Video Inputs	Composite for NTSC/PAL
	Compression	H.264 / RAW
	Dual Streams	Yes
	Frame Rate	Up to 30fps @NTSC / 25fps @PAL (adjustable)
	Bit Rate Control	Supports constant bit rate (CBR) & variable bit rate (VBR)
	OSD	Text OSD
	Connector	BNC, male / 1.0Vp-p, 75ohms
Audio Input	Channels	1 x stereo line-in
	Sampling Rates	Up to 16bit, 48KHz, stereo
	Compression	PCM / G.711
	Connector	Phone jack, female
Physical Characteristics	Host Interface	USB 2.0 High Speed
	Power Input	USB bus power
	Operating Temperature	0 ~ 70° C (32 ~ 158° F) (with air flow) 0 ~ 60° C (32 ~ 140° F) (without air flow)
	Board Dimensions	70 x 38 mm (2.75" x 1.49")
	Safety	CE / FCC
Software	Supported OS by Driver	Windows XP / XPe / Vista / 7
	SDK	User Manual, Programming Guide and VC++ Sample Codes
	Direct X Required	Version 9 or above

Block Diagram



Dimensions



Ordering Information

Part Number	Description
DSPC-8601-USBE	1-ch H.264 USB Video Capture Module with SDK