

IPC-5120/7120

Desktop/Wallmount Chassis for MicroATX/ATX Motherboard with Front I/O Interfaces



IPC-7120



Features

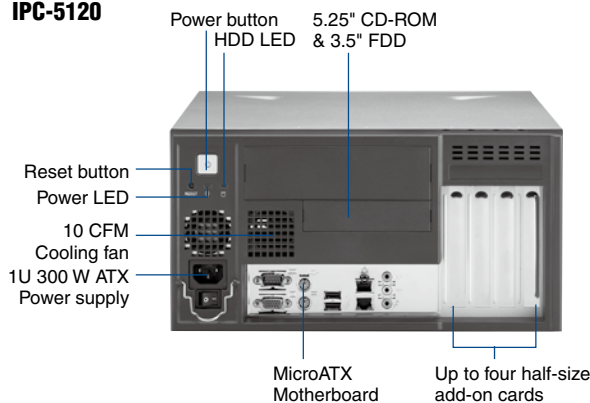
- All I/O interfaces are in the front
- Shock-resistant drive bay to hold one 5.25" and two 3.5" drives
- Supports up to four half-size add-on cards in the front
- LED indicators for power status and HDD activity
- Equipped with 1U, 300 W ATX/PFC power supply
- Easy-to-replace air filter

Specifications

Drive Bay	5.25"	Front-accessible	Internal
	3.5"	1	-
Cooling	Fans	1 (12 cm / 85 CFM) + 1 (6 cm / 10 CFM)	
	Air Filter	Yes	
Miscellaneous	LED Indicators	Power status and HDD activity	
	Control	Power switch and system reset button	
Environment	Temperature	Operating 0 ~ 40° C (32 ~ 104° F)	Non-Operating -20 ~ 60° C (-4 ~ 140° F)
	Humidity	10 ~ 85% @ 40° C, non-condensing	10 ~ 95% @ 40° C, non-condensing
	Vibration (5 ~ 500 Hz)	1 Grms	2 G
	Shock	10 G (with 11 ms duration, half sine wave)	30 G
	Dimensions (W x H x D)	IPC-5120: 320 x 164 x 316.5 mm (12.6" x 6.5" x 12.5") IPC-7120: 380 x 164 x 316.5 mm (15" x 6.5" x 12.5")	
Physical Characteristics	Weight	IPC-5120: 8.0 kg (17.6 lb) IPC-7120: 9.0 kg (19.8 lb)	

Front View

IPC-5120



Inside View



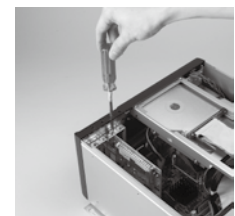
Easy-to-maintain fan filter



Shock-resistant drive bay for holding an internal 3.5" HDD



Plug ring-lock securely fastens the power cord

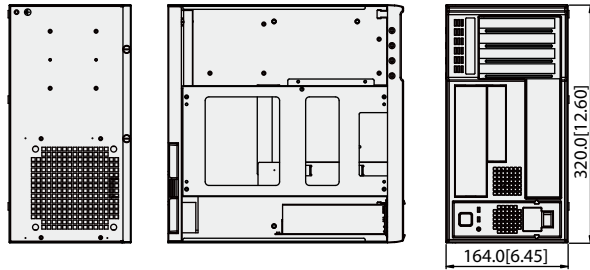


User-friendly mechanical design for installing an add-on card

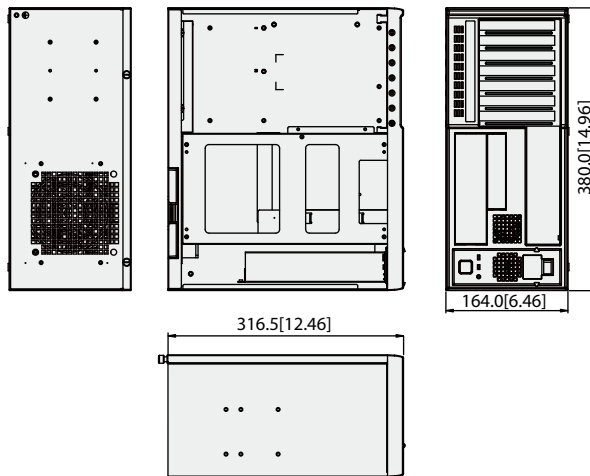
Dimensions

Unit: mm [inch]

IPC-5120



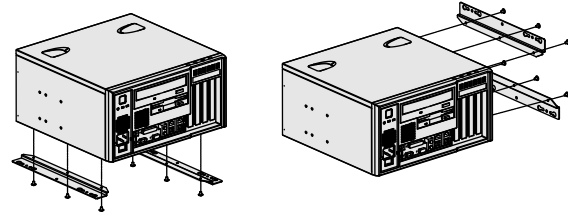
IPC-7120



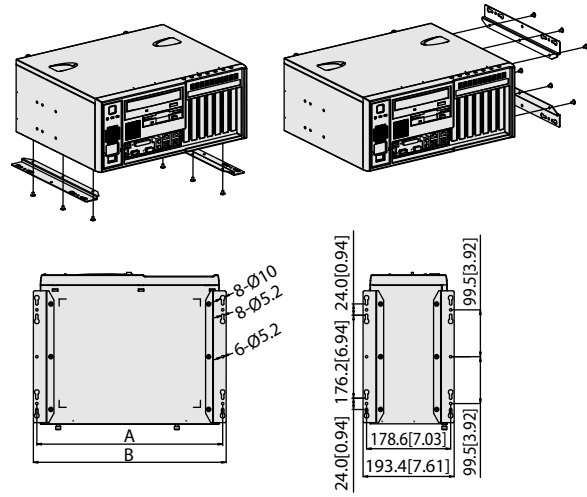
Installation

Unit: mm [inch]

IPC-5120



IPC-7120



Dimensions		
	IPC-5120	IPC-7120
A	334.6 [13.17]	334.6 [13.17]
B	350.0 [13.78]	410.0 [16.14]

Ordering Information

Part Number	Power Supply	Motherboard	Regulation
IPC-5120-25ZBE	1757000557	-	CE
IPC-5120-30ZBE	1757000229G	-	CE
IPC-7120-25ZBE	1757000557	-	CE
IPC-7120-30ZBE	1757000229G	-	CE

Power Supply Options

(For detailed power supply specs, please refer to Chapter 15.)

Part Number	Watts	Input
1757000557 (ATX, PFC)	250 W	AC100-240V (full-range)
1757000229G (ATX, PFC)	300 W	AC100-240V (full-range)