



**Flight
LT
60x25**

(Family)

**CR0624HB-
A70GL**

(Model)

-032710- No

(Part #)

(In
Stock)

Electrical Specifications

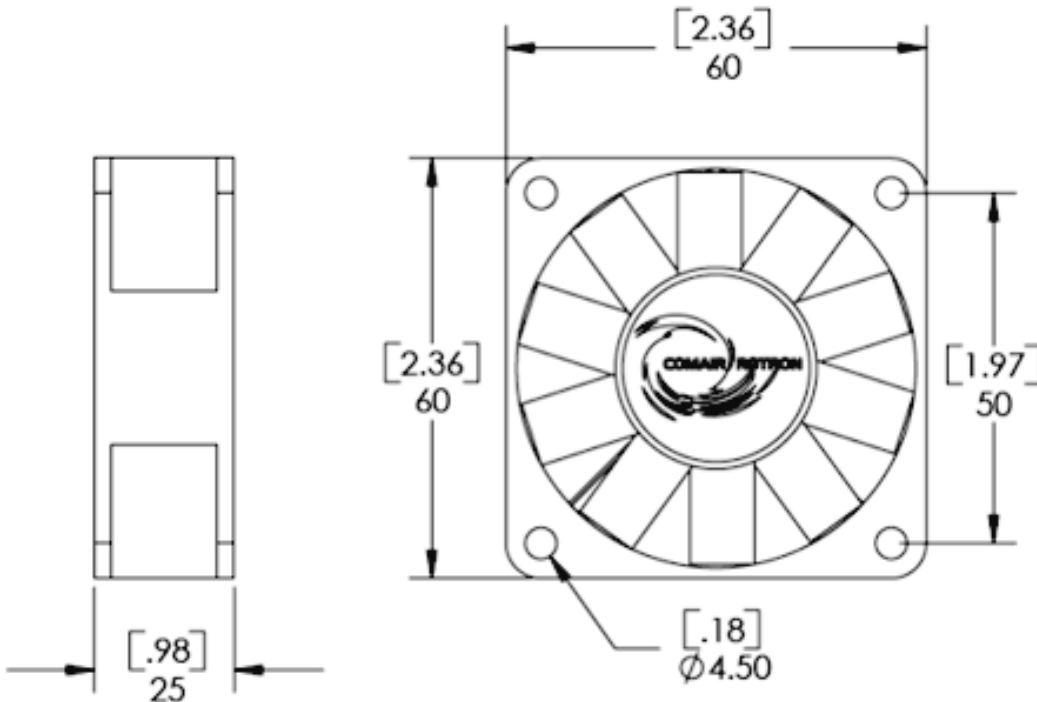
Operating Voltage:	24 Volts
Voltage Range:	21.6 - 26.4 Volts
Power Supply:	3.6 Watts
Line Current:	0.15 Amps
Locked Rotor Current	0.15 Amps
Nominal Speed:	4500 RPM

Mechanical Specifications

Dimensions:	2.4 x 2.4 x 1.0 in
Weight	2.40 oz
Max Airflow @ 0 in H ₂ O	23.0 CFM
Max Pressure @ 0 CFM	0.185 in H ₂ O
Noise	32.3 dBA



Mechanical Drawing



Comair Rotron, Inc.
Phone: 858.348.6200
sales@comairrotron.com

Comair Rotron Europe, Ltd.
Phone: +44.1527.520525
saleseurope@comairrotron.com

Comair Rotron Fan Company Ltd.
Phone: +86.21.52260581
salesasia@comairrotron.com

Print Date: Monday, February 18, 2008 at 08:31:36 - DC Fan Datasheet - Web Version 1.0 Rev. B



Fan Performance Curve

Fan Configuration Options

Flight LT 60x25
(Family)

CR0624HB-A70GL
(Model)

/ 032710
(Part #)

No
(In Stock)

Fan Speed:	4500 RPM	Fan Bearings:	Ball Bearings
Fan Airflow Direction:	Flow R (CCW Rotation)	Fan Termination:	Leads

Fan Monitoring Options: No Fan Monitoring Options Selected

Fan Speed Control Option: No ThermaPro-V Fan Speed Control Options Selected

Environmental Protection Options: No Enviroshield Options Selected

Comair Rotron, Inc.
Phone: 858.348.6200
sales@comairrotron.com

Comair Rotron Europe, Ltd.
Phone: +44.1527.520525
saleseurope@comairrotron.com

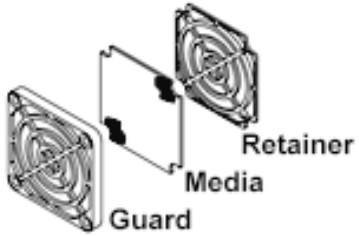
Comair Rotron Fan Company Ltd.
Phone: +86.21.52260581
salesasia@comairrotron.com

Print Date: Monday, February 18, 2008 at 08:31:36 - DC Fan Datasheet - Web Version 1.0 Rev. B

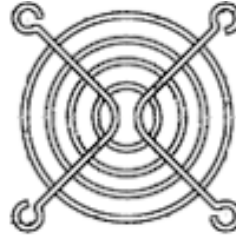


Accessories (Click on part number for detailed drawing.)

557239
Filter Guard Assembly



572621
Finger Guard



Comair Rotron, Inc.
Phone: 858.348.6200
sales@comairrotron.com

Comair Rotron Europe, Ltd.
Phone: +44.1527.520525
saleseurope@comairrotron.com

Comair Rotron Fan Company Ltd.
Phone: +86.21.52260581
salesasia@comairrotron.com

Print Date: Monday, February 18, 2008 at 08:31:36 - DC Fan Datasheet - Web Version 1.0 Rev. B