

DATA SHEET
SPECIFICATIONS

VOLTAGE INPUT:	115/200 VAC 3 PHASE, 400 HZ
POWER FACTOR:	0.9 LAG
OUTPUT:	28 VDC, 200 AMPS
RIPPLE VOLTAGE:	1.5 VOLTS
OVERLOAD:	400 AMPS FOR 1 MIN
EFFICIENCY:	80-85% LOW TO HIGH LOAD
COOLING:	INTERNAL ELECTRIC FAN
AMBIENT:	-55° C TO +85° C
ALTITUDE:	SEA LEVEL - 65,000 FT
WEIGHT:	17 LBS MAX
PROTECTIVE FUNCTIONS:	INTEGRAL THERMAL SENSOR
COMPLIANCE:	MIL-G-7115E CLASS B MS-28132-1 REV H CLASS "C" MIL-STD-810C MIL-STD-461A MIL-STD-462 MIL-STD-704C

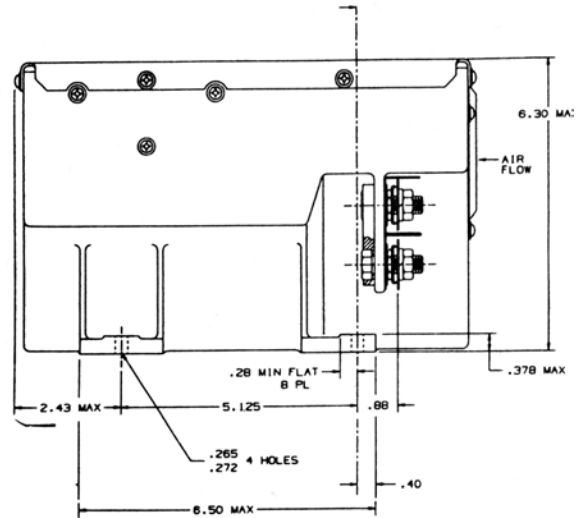
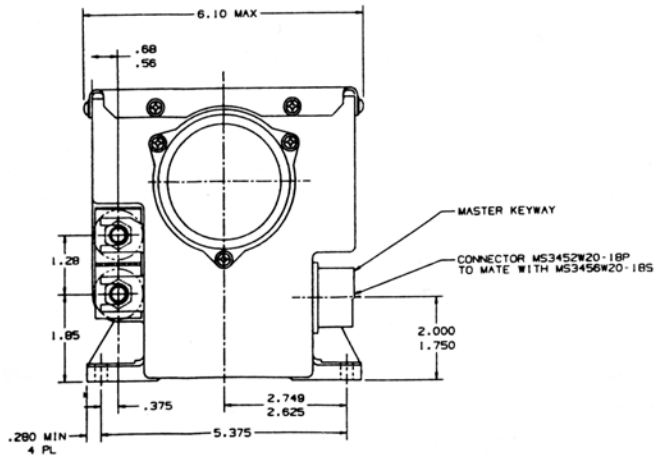
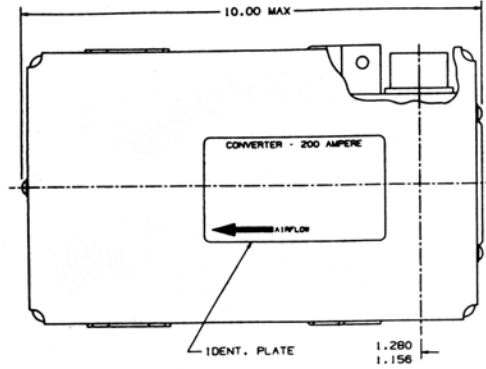
**MODEL #5352
TRANSFORMER RECTIFIER UNIT**

DESCRIPTION

Model 5352 transformer rectifier unit (TRU) converts high voltage AC power to low voltage DC at high efficiencies with no adverse degradation of the input power waveform and minimum harmonic distortion.

This unit is normally mounted in the electronics bay and cooled with a built-in fan. This unit is currently used on the OH-58D helicopter.

OUTLINE DETAILS



TRANSFORMER RECTIFIER UNIT