

ARK-3382

Four LAN, Fanless Embedded Box Computer

NEW



Features

- Four 10/100Base-T Fast Ethernet ports, with LAN bypass support on LAN 2 and LAN 3
- Built-in Intel® Ultra Low Voltage Celeron® or Intel Pentium® M Low Voltage processor
- Sealed fanless construction
- Anti-Vibration to ensure maximum reliability
- Easy integration, easy maintenance, few parts
- Accepts a wide range of DC power sources

Introduction

The ARK-3382 fanless Embedded Box Computer combines four LAN port interfaces and other industrial features into a rugged, compact metal chassis for Gigabit network intensive based applications. The fanless operation provides noise protection when deployed in external environments. The ARK-3382 fanless Embedded Box Computer is perfectly suited for embedded PC applications. All electronics are conveniently protected in a compact sealed housing, ideal for applications in which space and environmental demands are critical.

Specifications

Processor Core Logic System

- **CPU** Intel Ultra low voltage Celeron or Intel Pentium M low voltage processor
ULV Celeron M 1.0 GHz (ARK-3382-1S0A2E)
LV Pentium M 1.4 GHz (ARK-3382-1S4A2E)
- **System Chipset** Intel 852GM GMCH or Intel 855GME chipset
Intel ICH4 chipset, 400 MHz FSB
- **BIOS** 4 Mbit Flash BIOS, supports Plug & Play, APM 1.2
- **System Memory** 1 x 200-pin SODIMM socket
Supports DDR SDRAM up to 1GB

Display

- **Chipset** Integrated graphics built in to Intel 852GM GMCH, or Intel 855GME GMCH, utilizing Intel Graphics 2 technology
- **Display Memory** Dynamic video memory allocation up to 64 MB
- **Display Interface** CRT Interface
36-bit LVDS interface

Ethernet

- **Ethernet Controller** 1 x Intel 82551QM 10/100Base-Tx Fast Ethernet controller supports LAN1
3 x Realtek® RTL8139DL 10/100Base-Tx Ethernet controller support LAN2, LAN 3 and LAN4
LAN Bypass support on LAN 2 and 3

Serial

- **Serial Interface** 1 x RS-232 port and 1 x RS-232/422/485 port
- **USB Interface** 1 x USB port, USB 2.0 Compliant

Other

- **Watchdog Timer** 255 levels timer interval, setup by software
- **Keyboard/Mouse** Supports PS/2 mouse and PS/2 keyboard

Software Options

- Windows XP Embedded, Windows 2000/XP

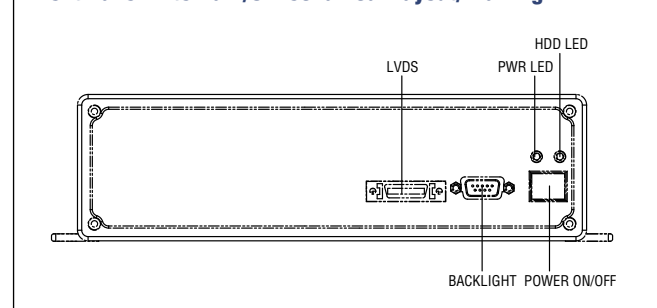
Storage

- Supports drive bay space for 2.5" HDD
- Supports CompactFlash socket for type I/II CompactFlash disk

Front Panel External I/O

- 1 x LVDS Port by D-Sub Connector
- 1 x Backlight On/Off Control Connector
- 1 x ATX Power On/Off Button

Front Panel External I/O Mechanical Layout/Drawing



Mechanical

- **Construction** Aluminum housing
- **Mounting** Din-Rail mounting
Desk/wall-mounting
- **Dimensions (W x H x D)** 264.5 x 69.2 x 137.25 mm (10.41" x 2.72" x 5.4")
- **Weight** 2 kg

Power Supply

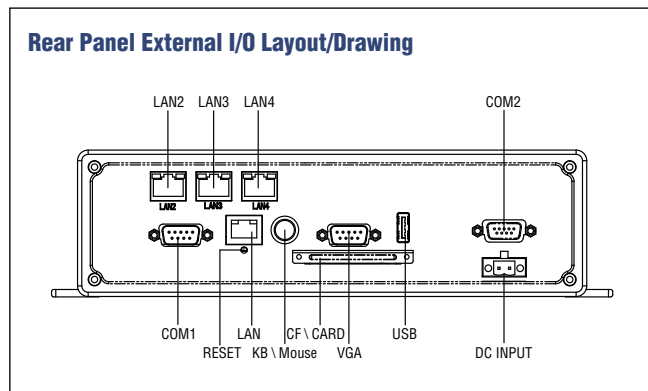
- Output Rating 46 W
- Input Voltage 12 V_{DC} ~ 24 V_{DC}, Typical 12 V_{DC} @ 4.5 A,
16 V_{DC} @ 3.4 A, 19 V_{DC} @ 2.9 A, 24 V_{DC} @ 2.3 A

Environment Specifications

- Operating Temperature** When system is equipped with Industrial Grade CompactFlash disk only: -20 ~ 60° C When system is equipped with 2.5-inch hard disk: 0 ~ 45° C
- Relative Humidity** 95 % @ 40° C (non-condensing)
- Vibration Loading During Operation** When system is equipped with CompactFlash disk only: 5 Grms, IEC 60068-2-64, random, 5 ~ 500 Hz, 1 Oct./min, 1 hr/axis.
When system is equipped with 2.5-inch hard disk: 1 Grms, IEC 60068-2-64, random, 5 ~ 500 Hz, 1 Oct./min, 1 hr/axis.
- Shock During Operation** When system is equipped with CompactFlash disk only: 50 G, IEC 60068-2-27, half sine, 11 ms duration
When system is equipped with hard disk: 20 G, IEC 60068-2-27, half sine, 11 ms duration
- EMC Approved** CE, FCC
- Safety Approved** UL

Rear Panel External I/O

- 1 x RS-232 Serial Port as COM1
- 1 x Serial Port Supports RS-232/422/485 interface as COM2
Note: The default setting of COM2 is RS-232. The RS-422/485 mode of COM2 can be supported by replacing the internal cable and adjusting the jumper inside.
- 4 x RJ45 Ports: Supports Four Fast Ethernet Connectors
- 1 x PS/2 Connector
- 1 x Reset Button
- 1 x VGA/CRT Connector
- 1 x USB 2.0 Connector
- 1 x Phoenix Power Input Connector



Packing List

- 1 x ARK-3382 Unit
- 1 x DIN-Rail Mounting Kit
- 1 x PS2 Keyboard/Mouse Cable (P/N: 1700060202)
- 1 x Utility CD
- 1 x Flat cable for RS-485/422 mode of COM2 (P/N: 1700001967)
- 1 x 2-P Phoenix to DC-Jack power cable (P/N: 1700001394)

Ordering Information

- ARK-3382-1S0A2E** ULV Celeron M 1.0 GHz Embedded Box Computer, with VGA/LVDS, 4 x 10/100Base-T Fast Ethernet
- ARK-3382-1S4A2E** LV Pentium M 1.4 GHz, Embedded Box Computer, with VGA/LVDS, 4 x 10/100Base-T Fast Ethernet

Optional Items

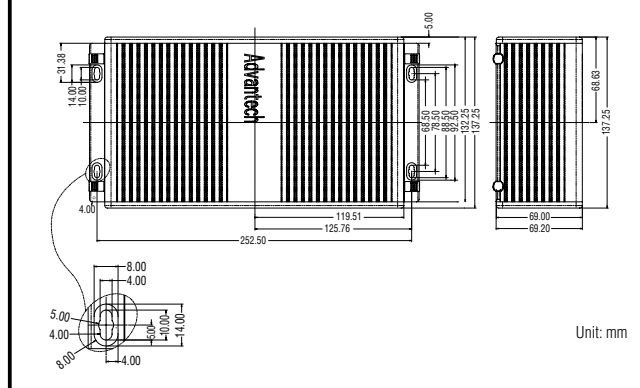
External AC-to-DC Adapter and Power Cable

- 1757000222** AC-to-DC Adapter DC19 V/3.42 A 65 W, with Phoenix Power Plug, 0 ~ 45° C for Home and Office Use
- 1700001947** Power cable 2-pin 180 cm, USA for ARK-338X
- 1700001948** Power cable 2-pin 180 cm, Europe for ARK-338X
- 1700001949** Power cable 2-pin 180 cm, UK for ARK-338X
- 1757000254** AC-TO-DC 60W Adapter, DC19 V/3.15 A with Phoenix Power Plug, with PSE Mark for Japanese Market

Embedded OS (Only available for T-Parts OEM, and CTOS service)

- 2070000636** XPE SP2 OS Image and License for ARK-3380/1/2/9, English Version (600 MB)
- 2070001112** XPE with Feature Pack 2007 OS Image and License for ARK-3380/1/2/3/4/9 English Version (600MB)
- 2070001113** XPE with Feature Pack 2007 OS Image and License for ARK-3380/1/2/3/4/9 Traditional Chinese Version (600MB)
- 2070001114** XPE with Feature Pack 2007 OS Image and License for ARK-3380/1/2/3/4/9 German Version (600MB)
- 2070001115** XPE with Feature Pack 2007 OS Image and License for ARK-3380/1/2/3/4/9 French Version (600MB)
- 2070001116** XPE with Feature Pack 2007 OS Image and License for ARK-3380/1/2/3/4/9 Italian Version (600MB)

Dimensions



Unit: mm

Benefits

Multiple LAN Port Capacity

The four Fast Ethernet ports have a LAN bypass function to prevent network problems when the platform shuts down. These features make the ARK-3382 suitable for security gateway applications.

Highly Robust Casting Construction

- Fanless operation in aluminum sealed construction
- A special cushioned design that absorbs vibration to ensure maximum reliability under harsh conditions

Highly Compact Size

With its maximum mounting height of 69 mm, the ARK-3382 can be used under space critical installation conditions

Optimized Integration

- Few parts, easy integration and easy maintenance for reduced investment
- Systems are supplied "Ready-to-Run"
- Long life cycle support for product continuity

Wide Range of Power Sources

The wide input voltage range of 12 ~ 24 V DC offers flexibility in automation environments

High Computing Performance

Scalable Low Voltage and Ultra Low Voltage Pentium M class processor systems with Ethernet networking capability deliver high computing performance

Applications

ARK-3382 supports intensive networking capability by offering 4 x 10/100 Base-T Ethernet plus LAN bypass function support. This makes the ARK-3382 ideal for industrial and security gateway applications which require intensive LAN communications

- Firewall
- VPN

Application Example

