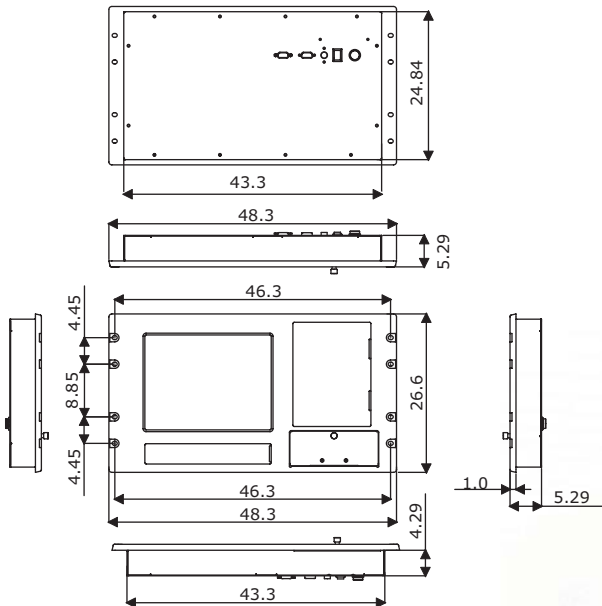


BPD-9010

10.4" Panel Display Module with
keyPad, +5V/+12V DC Adapter

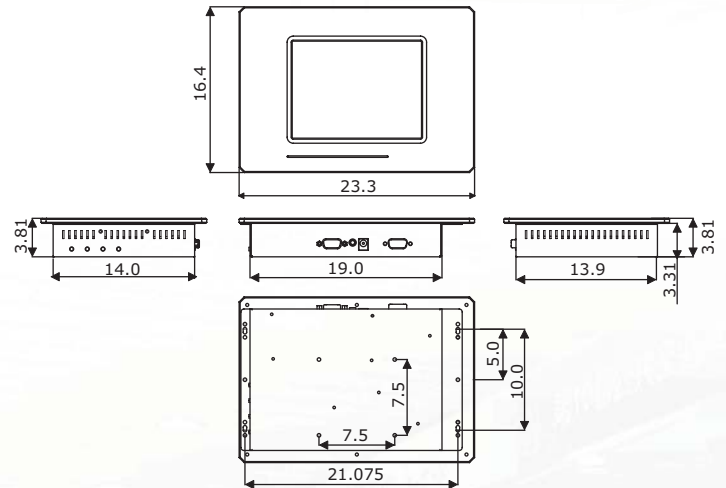
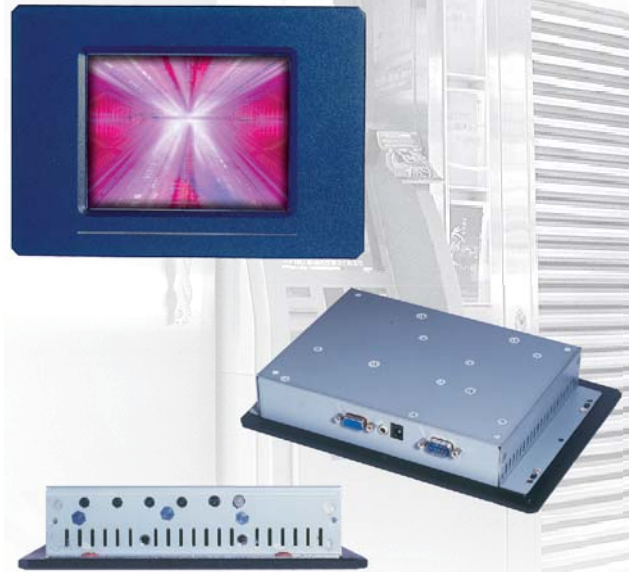


Features

- 10.4" TFT color panel display
- Provides VGA input interface, +5V/+12V DC in 42W adapter
- Membrane Keyboard: 66-keys and 10 Function Keys
- Max Resolution: 800(H) x 600(V) pixels RGB stripes arrangement
- Brightness: 250 cd/m²(Typ.)
- LCD Color: 6-bit, 262,144 colors
- Pixel Pitch: 0.264 x 0.264 mm
- Panel Power Consumption: Total 4Watt
- Dimensions: 48.3(L) x 5.29(W) x 26.6(H) cm
- Cut Out Size (LxH): 43.7 x 25.2 cm

BPD-3006

6.4" Panel Display Module
with 12V DC Adapter



Features

- 6.4" TFT color panel display
- Provides VGA input interface, OSD key, 12V DC in 60W adapter
- Max Resolution: 640 x 480 pixels
- LCD Color: 262,144 colors
- Pixel Pitch: 0.2025 x 0.203 mm
- Dimensions: 23.3(L) x 3.81(W) x 16.4(H) cm
- Cut Out Size (LxH): 19.5 x 14.6 cm

Panel PC

Bare Bone

SBC

Chassis

Power Supply

Backplane