



### Features :

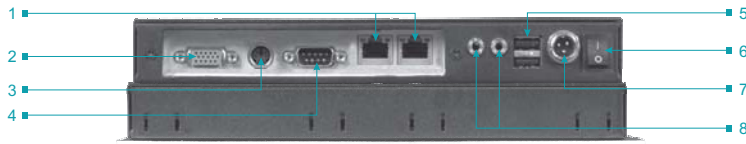
- Fanless Design
- Onboard AMD LX700/800/900 CPU
- 8.4" VGA Color TFT LCD Display
- Slim, Fanless, Rugged Design
- Touch Screen Support
- Windows XP Embedded Support
- 10/100Base-TX Ethernet
- Dual Simultaneous Displays

### Specifications

System	
Processor	AMD LX700/800/900 CPU
System Memory	1x DDR SO-DIMM slot, support DDR 333/400MHz, max. up to 1GB
LCD/CRT Controller	AMD LX700/800/900 integrated
Ethernet	10/100Base-TX Ethernet interface, 2x RJ45
I/O Port	1x RS-232 2x USB 2.0 ports 1x PS/2 mouse and keyboard port LINE-out, MIC-IN
Storage	Type II Compact Flash and 2.5" HDD
OS Support	Windows XP, Windows XP Embedded
System FAN	Fanless
Mechanical	
Construction	Duralumin panel and steel chassis
Color	Front Bezel: Argentate Back Cover: Black
Installation	Mounting, hanging
Dimension (W×H×D)	9.65"×7"×2.36", 245mm×178mm×60mm
Carton Size (W×H×D)	13.2"×10.94"×7.28", 335mm×278mm×185mm
Gross Weight	8.38lb±1lb (3.8kg±0.5kg)
Environment	
Operating Temperature	32°F~104°F (0°C~40°C)
Storage Temperature	-4°F~140°F (-20°C~60°C)
Storage Humidity	10-90%, 40°C, non condensing
Vibration	Random operation 1G,5-500Hz
Shock	15G peak acceleration(11m sec. duration)/operation
EMC	CE/FCC Class A
Power Supply	
AC-DC Input	Input: +5~+18V DC

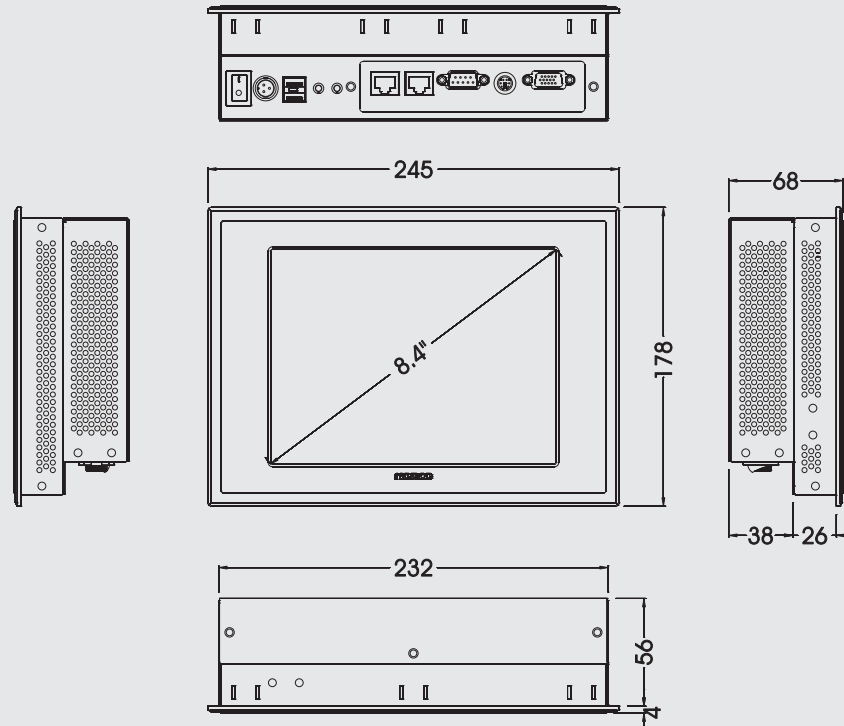
LCD	
Display Type	8.4" color TFT LCD
Max. Resolution	800×600
Active Area	170.4mm(H)×127.8mm (V)
Max. Color	262K
Dot Size	0.213mm×0.213mm
Luminance	220cd/m <sup>2</sup>
Contrast Ratio	500: 1Typ
Touch Screen	
Module	Four-Wire Analog Resistive
Input Method	Stylus Pen or Finger
Hardness of surface	Pencil hardness 3H
Input life	1,000,000 times min (R0.8mm with 250g force)
Notes life	100,000 words min (R8,hardness 60°,250g force)
Operation force	R0.8(≅ 8~50g)
Transparency	≧ 76% (measured by BYK-Gardner)
Controller Interface	RS232, USB

### Port View



- |                    |                   |
|--------------------|-------------------|
| 1、 2x LAN Port     | 5、 2x USB2.0 Port |
| 2、 VGA Port        | 6、 Power Switch   |
| 3、 KB/MS PS/2 Port | 7、 Power Socket   |
| 4、 COM Port        | 8、 Audio Port     |

### Dimensions



### Packing List

- |                           |   |                                      |
|---------------------------|---|--------------------------------------|
| • 1600300409<br>Nut M3    | • 0200000119<br>8.4" Touch screen Driver CD | • 1311205009<br>12V@5A Power adapter |
| • 1000300609<br>PSU Screw | • 0660240019<br>PS/2 Y-Mode KB/MS Cable     | • User's Manual                      |
| • 6500403509<br>Fan Screw | • 0000000039<br>Stylus Pen                  | • Motherboard Driver CD              |
|                           |   | • PPC-3284                           |

### Ordering Information

- **PPC-3284**  
Panel PC, 8.4" TFT touch screen, AT, On board CPU, AMD LX700/800/900, VGA/LVDS, DDR333/400MHz(up to 1GB), 1x CF, 1x Mini-IDE, 2x USB, 1x COM, 2x100Mbps Ethernet, 1x PS/2

### Optional Accessories

- **ACP-112U**  
NORCO USB module
- **Touch Screen**  
8.4" TFT Touch Screen