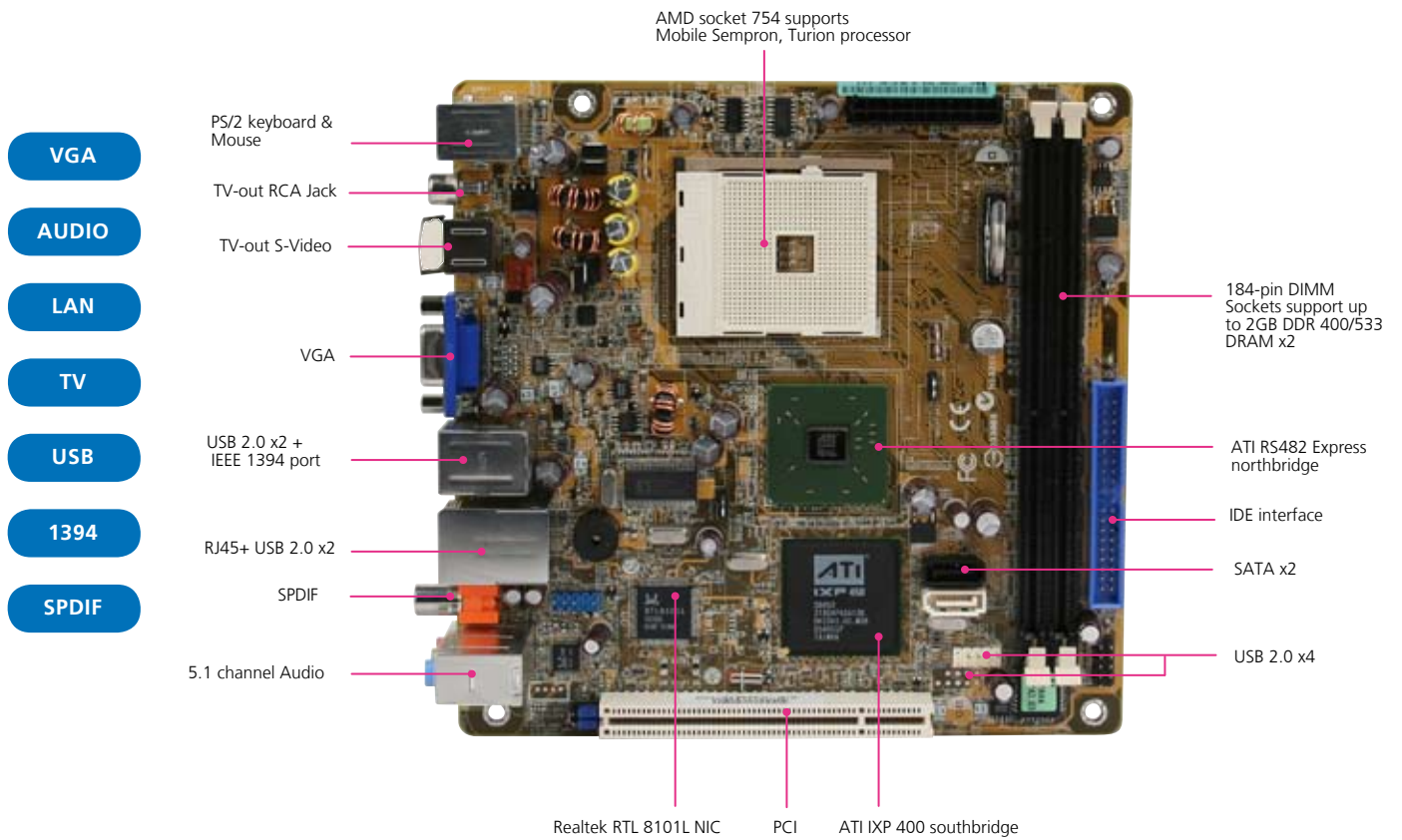


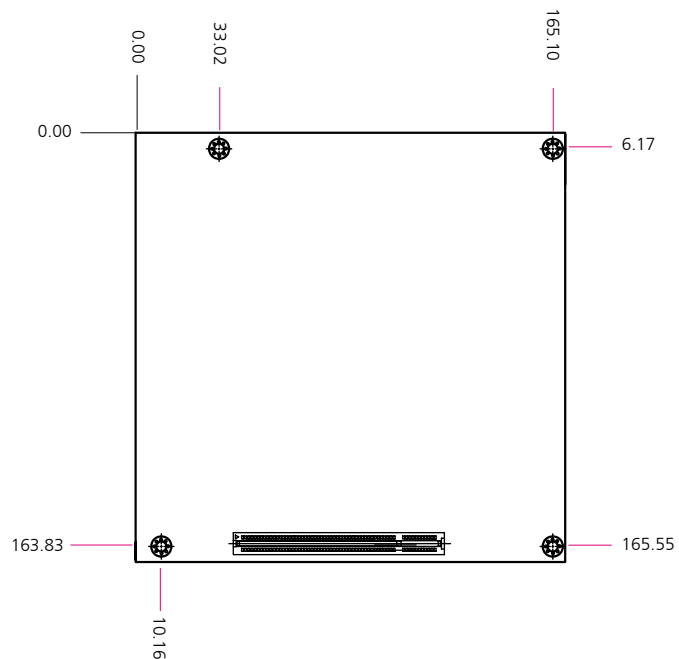
EM-9660

Mini ITX AMD® Socket 754 Mobile Sempron / Turion Motherboard with VGA/ TV-out/ USB/ Firewire/ SPDIF



FEATURES

- Supports AMD Socket 754 Mobile Sempron/ Turion CPU
- ATI RS482 Express Chipset
- Two DIMM up to 2 GB DDR 400/533 SDRAM
- ATI Radeon Xpress 200 Graphics
- 5.1 CH Audio, S/PDIF, TV-out
- Realtek RTL8101L 10/100 Mbps LAN
- Agere LFW322 IEEE 1394 controller
- 2 SATA, 8 USB 2.0

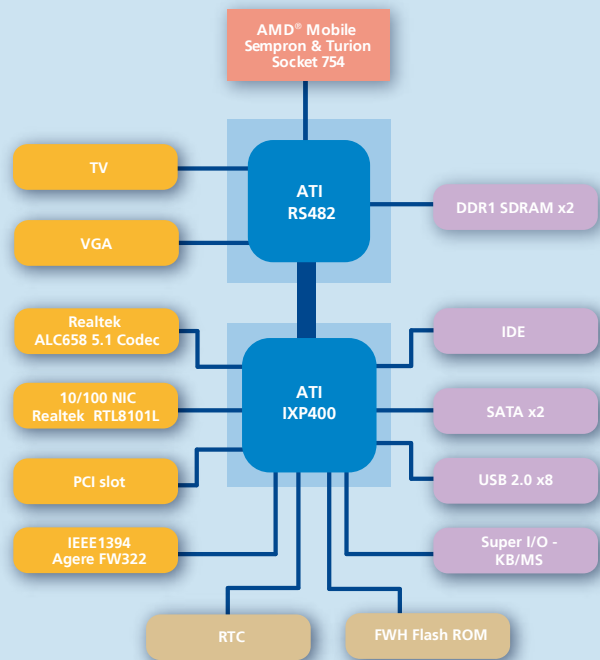


FEATURE
DESCRIPTION

| | | |
|---------------------------------|----------------------------------|--|
| Platform | Form Factor | Mini-ITX |
| | Processor | AMD Sempron, AMD Turion |
| | Chipset | ATI RS482 + IXP 400 |
| | BIOS | Award Flash BIOS |
| | Cache Memory | Processor Built-in |
| System Memory | Technology | DDR 400/533 SDRAM |
| | Max Capacity | 2 GB |
| | Socket | 184-pin DIMM x 2 |
| Storage Interface | IDE Interface | IDE x 1, Serial ATA x 2 |
| | Speed | 10/100 Mbps |
| Networking | I/O | RJ45x1 |
| | Controller | Realtek RTL8101L |
| | Controller | ATI RS482 integrated Radeon Xpress 300 Graphics Engine |
| Display | Shared memory | Support 16/32/64/128/256 MB frame buffer |
| | Output | TV-out |
| | Codec | ATI IXP400 with Realtek ALC658 supports 5.1 CH Audio |
| Audio | I/O | Mic-in, Line-in, CD Audio-in, Line-out, S/PDIF |
| | Universal Serial Bus | 8 (v2.0) |
| I/O Interface | Serial-ATA | 2 |
| | Bus interface | PCI |
| | IR Interface | 115k bps, IrDA 1.0 compliant |
| | IEEE-1394 | 1 |
| | Keyboard | PS/2 |
| | Mouse | PS/2 |
| | Hardware Monitoring | Controller |
| Cooling | | Cooler |
| Expansion | | PCI slot x1 |
| Environmental Parameters | Temperature, ambient operating | 0~60°C (32~140°F) |
| | Humidity (RH), ambient operating | 0%~90% relative humidity, non-condensing |
| | Storage Temperature | -20~70°C (-4~158°F) |
| Physical Dimensions | Dimensions | 170 mm x 170 mm (6.69" x 6.69") |
| | Input | DC +3.3V/+5V/+12V/+5Vsb |
| Power | Form Factor | ATX support |
| | Consumption | +5 V @ 3.34 A, +12 V @ 0.09 A, +3.3 V @ 3.74 A, 5 Vsb @ 0.23 A (with Intel Pentium M 1.8 GHz & 256 MB DDR SDRAM) |
| | Compliance | CE, FCC, RoHS |

ORDERING INFORMATION

EM-9660 AMD Socket 754 Mobile Sempron/Turion with VGA/TV-out/ Audio/LAN/IEEE 1394/PCI/ 8 USB 2.0

PLATFORM ARCHITECTURE

About Lanner

Founded in 1986 and publicly listed (TAIEX 6245) since 2003, Lanner Electronics Inc. is an ISO 9001 certified designer and manufacturer of reliable, frontline security, storage and applied computing platforms and solutions. With headquarters in Taipei, Taiwan and branches in the U.S., India, and China, Lanner is uniquely positioned to deliver custom technical solutions with localized, value-added service.

Contact information

Lanner Electronics Inc
7F, 173, Section 2 Datong road
Sijhih City, Taipei County 221, Taiwan

T +886 2 86926060

F +886 2 86926101

E sales@lannerinc.com

W www.lannerinc.com