

Main Features

- ◆ Support Intel® Embedded SoC Tolapai processor 1200/600 MHz with 256KB L2 cache
- ◆ Intel® Tolapai SoC integrated MCH and ICH only support CRT display
- ◆ 1 x SO-DIMM socket to support DDR2 400/533/667/800 SDRAM
- ◆ XGI Volari Z11 Graphic chipset with DDR2 SDRAM and VGA BIOS auto memory size detection
- ◆ 2 x CAN bus ports via pin-header
- ◆ USB 2.0 x 4, Serial port x 2, SATA x 1
- ◆ 1 x IEEE 1394

Product Overview

The EBC 360 is a 3.5" embedded board with an on-board Intel® System-on-Chip Tolapai processor 1200/600MHz with 256KB L2 cache. The EBC 360 features CAN bus to apply around at so many fields, like Factory Automation, Car Industry, Marine control, Medical System, Photo-copiers and Aircraft Control as well. The integrated MCH provides two GbE LAN ports and integrated XGI Volari Z11 Graphic chipset for CRT display.

The EBC 360 is featuring a CAN bus single computer board to reduce versatile converter board and less cabling on all controller area network applications.

Specifications

CPU Support

- ◆ Support Intel® Embedded SoC Tolapai processor 1200/600 MHz with 256KB L2 cache

Main Memory

- ◆ 1 x 200-pin SO-DIMM socket, support up to 1 GB non-ECC 400/533/667/800 DDR2 SDRAM

Note: DDR2 800 is only supported by processor 1200 MHz

Chipset

- ◆ Intel® Integrated SoC MCH
- ◆ Intel® Integrated SoC ICH

BIOS

- ◆ Award system BIOS
- ◆ Plug & Play support
- ◆ Advanced Power Management
- ◆ Advanced Configuration & Power Interface
- ◆ 8M bits SPI ROM

On-board LAN

- ◆ Embedded Marvell PHY Controller 88E1111 single port x 2 via pin header
- ◆ Support Wake on LAN (When 5Vsb power available)

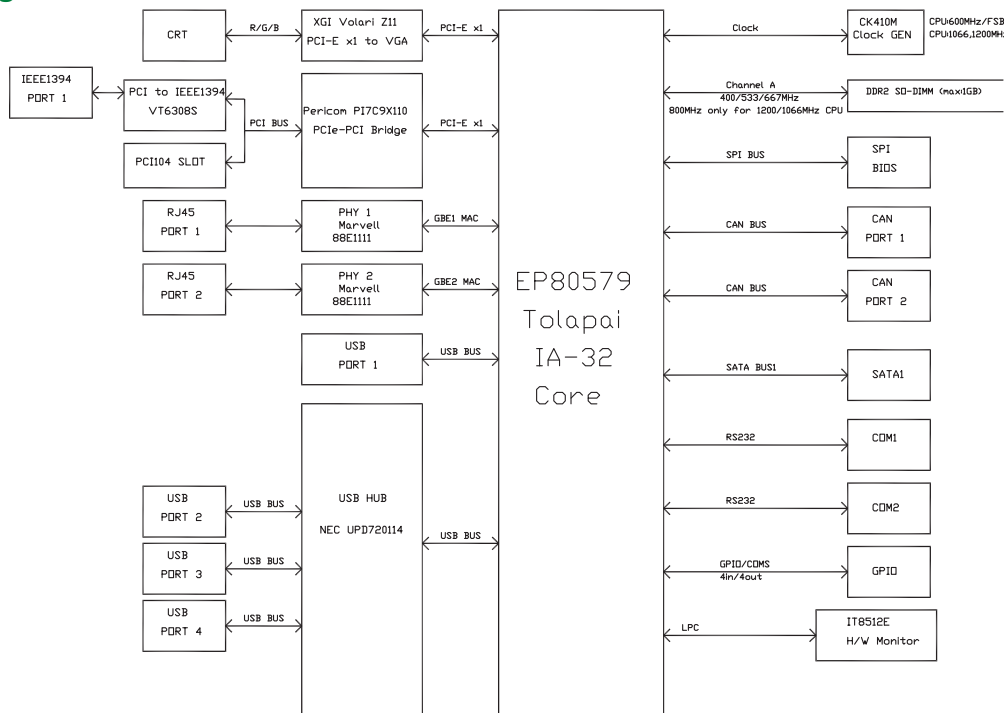
Display

- ◆ Integrated graphic engine by XGI Volari Z11 GPU with DDR2 SDRAM through PCIe 1x Interface
- ◆ 230MHz pixel clock support CRT display up to 1600x1200@70Hz 16M colors

Expansion

- ◆ 1 x PCI104 slot

Block Diagram



I/O Interface

- 2 x CAN bus ports, pin-header
- Serial port: 2 port, 2x5 2.0mm Box header, RS232 only
- USB 2.0: 4 ports, 2 ports edge connector, 2 ports by JST connector
- 8 GPIO lines via header (GPI 0~3 and GPO 0~3), CMOS Level (0/+3.3V)
- On-board Power LED and HDD Active LED Pin Header
- 1 x 3-pin fan connector (for CPU or System)
- 1 x PS/2 Keyboard/Mouse via pin header
- On board Buzzer / SMBus2.0 /Power SW/Reset SW
- IEEE1394 via pin header

Watchdog Timer

- Watchdog timeout can be programmable by Software from 1 sec to 10 mins (Tolerance 15% under room temp. 25°C) from Tolapai

Storage

- SATA: 1 x Serial ATA Ports

System Monitor

- Monitoring of 3 Voltages, 2 Temperature and 1 Fans Speed (From IT8512E)
- 3 Voltage (For +3.3V, +5V, Vcore)
- 2 Temperatures (CPU, System)
- 2 Fan speed (CPU or System Fan.)

On-board RTC

- On-chip RTC with battery backup
- 1 x External Li-Ion battery

Power Requirements

- Support both AT/ATX Mode
- +12V/+5V/+5Vsb Power In

Power Type (Voltage)	+12V	+5V	+5Vsb
Currents (Ampere)	3.5A	17.06A	1.05A

Dimensions

- 3.5" form factor
- 146 mm (L) x 105 mm (W) (5.7"x4.1")

Environment

- Operating temperatures: 0°C to 60°C
- Storage temperature: -20°C to 85°C
- Relative humidity: Operating 10%~90%, non-condensing

Certifications

- CE approval
- FCC Class A

Ordering Information

• EBC 360-600 (P/N: 10E0003600X0)

Embedded Board with Intel® SoC Tolapai processor 600 MHz with 256KB L2 cache and integrated Graphic engine by XGI Volari Z11 GPU w/VGA/ 2 x CAN Bus/4 x USB2.0/2 x COMs/2 x PCIe Gigabit LAN

• EBC 360-1200 (P/N: 10E00036001X0)

Embedded Board with Intel® SoC Tolapai processor 1200 MHz with 256KB L2 cache and integrated Graphic engine by XGI Volari Z11 GPU w/VGA/ 2 x CAN Bus/4 x USB2.0/2 x COMs/2 x PCIe Gigabit LAN