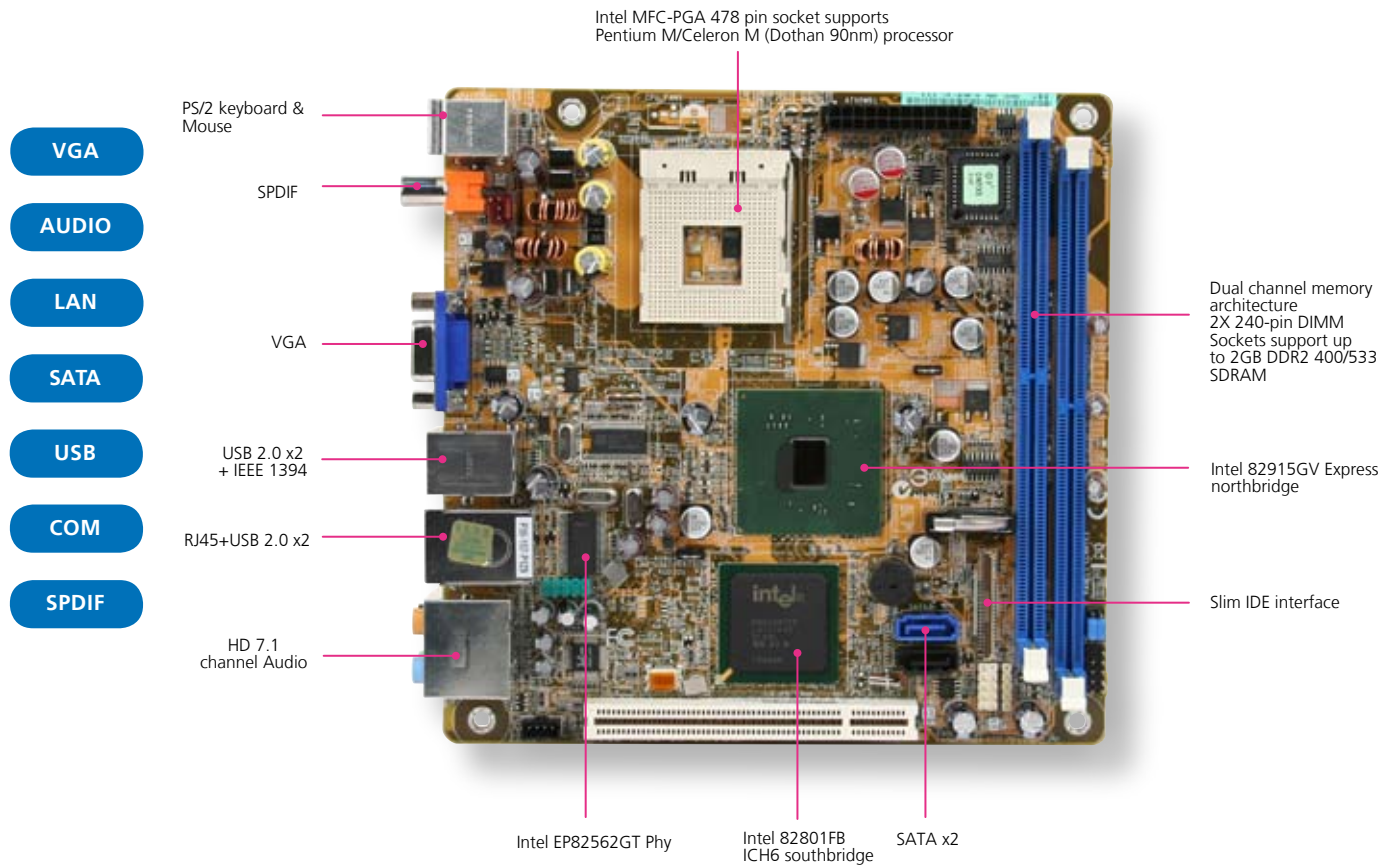


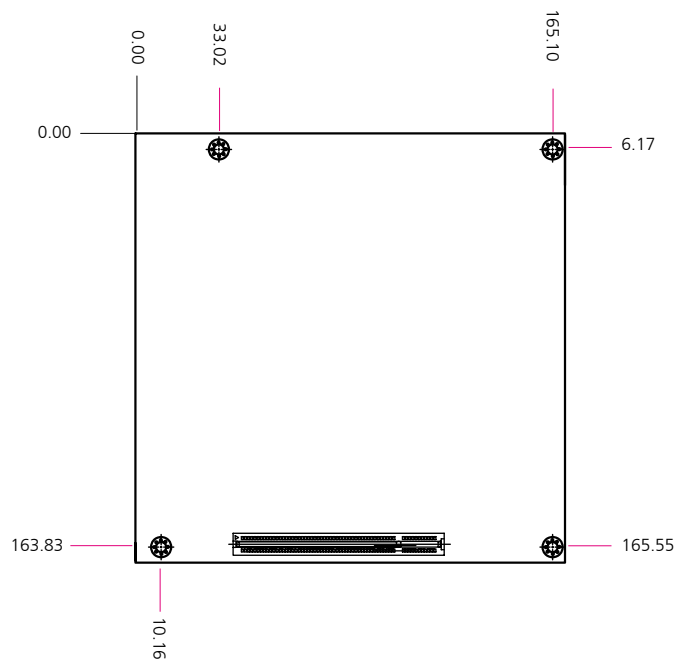
EM-9661

Mini-ITX Intel® 915GV μ FC-PGA 478 Pentium® M/ Celeron® M motherboard with VGA/ 7.1 Audio/ SPDIF/ LAN



FEATURES

- Supports 90nm Intel μ FC-PGA 478 / μ FC-BGA 479 Pentium M / Celeron M CPU
- Intel 82915GV Express Chipset
- Two DIMM up to 2 GB Dual Channel DDR2 400/533 SDRAM
- Intel Graphics Media Accelerator 900
- Intel HD 7.1 CH Audio, S/PDIF
- Intel integrated 10/100 Mbps LAN
- Agere LFW3226 IEEE 1394 controller
- 2 SATA, 8 USB 2.0
- Mini ITX from factor

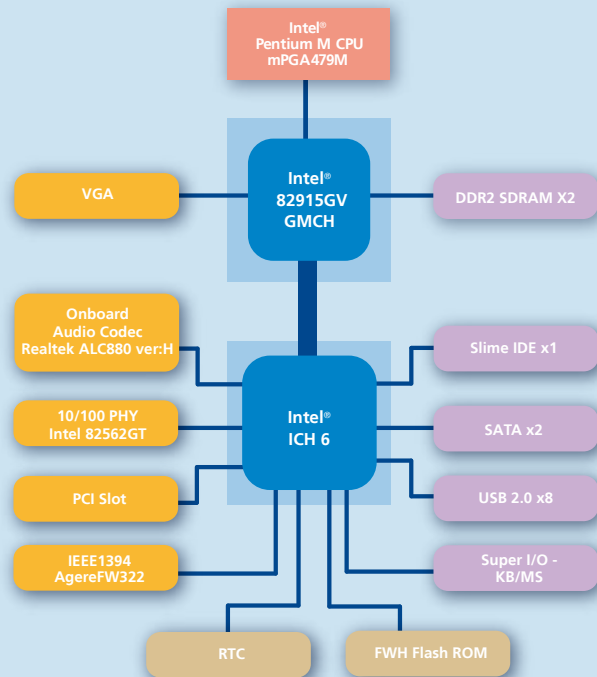


FEATURE
DESCRIPTION

Platform	Form Factor	Mini-ITX
	Processor	Intel Pentium M , Intel Celeron M
	Chipset	Intel 82915GV GMCH + ICH6
	BIOS	Award Flash BIOS
	Cache Memory	Processor Built-in
System Memory	Technology	DDR2 400/533 SDRAM
	Max Capacity	2 GB
	Socket	240-pin DIMM x 2
Storage Interface	IDE Interface	Slim IDE x 1, Serial ATA x 2
	Speed	10/100 Mbps
Networking	I/O	RJ45x1
	Controller	Intel EP82562GT Phy
	Controller	Intel 82915GV GMCH integrated Graphics Media Accelerator
Display	Shared memory	Support 16/32/64/128 MB frame buffer
	Codec	Intel 82801FB ICH6 with Realtek ALC880 supports 7.1 CH Audio
Audio	I/O	Mic-in, Line-in, CD Audio-in, Line-out, S/PDIF
	Universal Serial Bus	8 (v2.0)
I/O Interface	Serial-ATA	2
	Bus interface	PCI
	IR Interface	115k bps, IrDA 1.0 compliant
	IEEE-1394	1
	Keyboard	PS/2
	Mouse	PS/2
	Super I/O	KB/MS
Hardware Monitoring	Controller	Super I/O integrated Hardware monitor function
Cooling		Heatsink & Fan
Expansion		PCI slot x1
Environmental Parameters	Temperature, ambient operating	0~60°C (32~140°F)
	Humidity (RH), ambient operating	0%~90% relative humidity, non-condensing
	Storage Temperature	-20~70°C (-4~158°F)
Physical Dimensions	Dimensions	170 mm x 170 mm (6.69" x 6.69")
	Input	DC +3.3V/+5V/+12V/+5Vsb
Power	Form Factor	ATX support
	Consumption	+5 V @ 3.34 A, +12 V @ 0.09 A, +3.3 V @ 3.74 A, 5 Vsb @ 0.23 A (with Intel Pentium M 1.8 GHz & 256 MB DDR SDRAM)
	Compliance	CE, FCC, RoHS

ORDERING INFORMATION

EM-9661 Intel mFC-PGA 478 Pentium/Celeron M with VGA, Audio, LAN, IEEE 1394, PCI, & 8 USB 2.0

PLATFORM ARCHITECTURE

About Lanner

Founded in 1986 and publicly listed (TAIEX 6245) since 2003, Lanner Electronics Inc. is an ISO 9001 certified designer and manufacturer of reliable, frontline security, storage and applied computing platforms and solutions. With headquarters in Taipei, Taiwan and branches in the U.S., India, and China, Lanner is uniquely positioned to deliver custom technical solutions with localized, value-added service.

Contact information

Lanner Electronics Inc
7F, 173, Section 2 Datong road
Sijhih City, Taipei County 221, Taiwan

T +886 2 86926060

F +886 2 86926101

E sales@lannerinc.com

W www.lannerinc.com