

INPUT CHARACTERISTICS:**ARD / I – 2/4/6300F**

- VOLTAGE: 90 – 132 VAC / 180 ~ 264 VAC SWITCHABLE
- FREQUENCY : 47 ~ 63 Hz
- INPUT CURRENT: 5.0 / 2.5A FOR 115 / 230 VAC PER POWER MODULE (PARALLEL)
- INRUSH CURRENT: 50A / 100A MAX. FOR 115 / 230 VAC

OUTPUT CHARACTERISTICS:

OUTPUT VOLTAGE	OUTPUT CURRENT			REGULATION		OUTPUT RIPPLE & NOISE MAX. [P-P]
	MIN.[A]	MAX.[A]	PEAK(A)	LOAD	LINE	
5V**	7.0	20~36	40	± 5%	± 1%	60mV
12V**	2.5	17	20	± 8%	± 1%	120mV
-5V***	0	0.8	1	±10%	± 1%	120mV
-12V***	0	0.8	1	-10%~+10%	± 1%	150mV
3.3V*	3.0	0~25	30	± 5%	± 1%	60mV
+5VSB	0	1.0	1.2	± 5%	± 1%	50mV

* MANUFACTURER SET AT 3.45 V

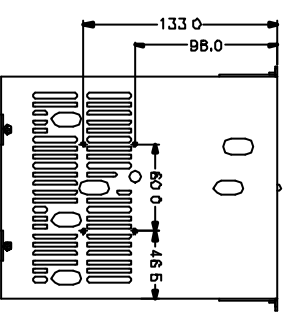
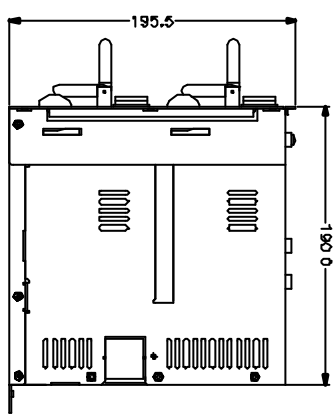
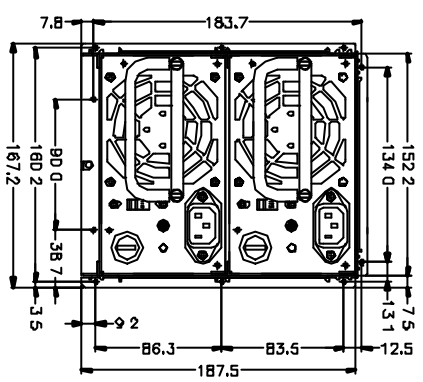
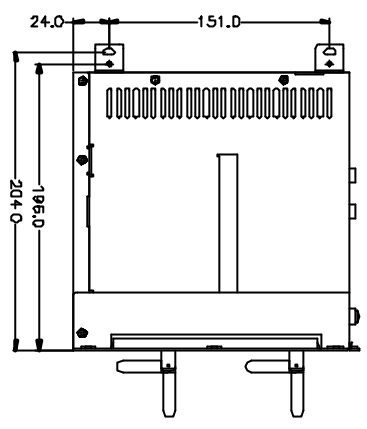
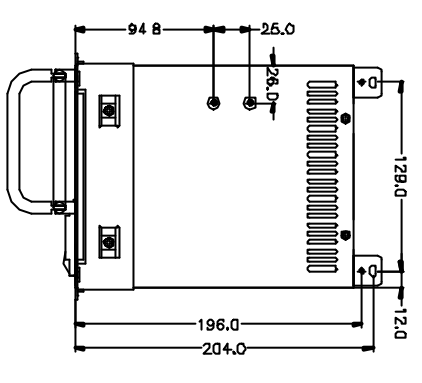
*TOTAL OUTPUT OF +5V AND + 3.3V NOT EXCEED 180 W

** For ARD/I / H – 2300F ; **&*** For ARD/ I / H – 4300F

Total output max:300W

- TEMPERATURE RANGE: OPERATING 0 --- 40
- HOLD UP TIME: 16 ms MINIMUM AT FULL LOAD & NORMAL INPUT VOLTAGE
- DIELECTRIC WITHSTAND: INPUT / OUTPUT 1500 VAC FOR 1 SECOND
INPUT TO FRAME GROUND 1500 VAC FOR 1 SECOND
- EFFICIENCY: 65% TYPICAL, AT FULL LOAD
- POWER GOOD SIGNAL: ON DELAY 100 ms TO 500 ms, OFF DELAY 1 ms
- OVER LOAD PROTECTION: 130 +/- 20%
- OVER VOLTAGE PROTECTION:
+5V → 6.0V ~ 7V, 3.3V → 4.0 ~ 4.5V, (EACH POWER MODULE)
- OVER CURRENT PROTECTION : SHORT CIRCUIT
- EMI NOISE FILTER: FCC CLASS B, CISPR22 CLASS B
- SAFETY: UL 1950, CSA 22.2 NO/ 950, TÜV IEC 950
- REMOTE ON / OFF CONTROL
THE UNIT SHALL ACCEPT A LOGIC OPEN COLLECTOR LEVEL WHICH WILL DISABLE / ENABLE ALL THE OUTPUT VOLTAGE (EXCLUDE +5V STANDBY), AS LOGIC LEVEL IS LOW, OUTPUTS VOLTAGE WERE ENABLE, AS LOGIC LEVEL IS HIGH, OUTPUTS VOLTAGE WERE DISABLE.
- HOT-SWAPPABLE / HOT-PLUGGABLE REDUNDANCY FUNCTION
- BALANCE LOAD SHARING DESIGN
- REMOTE SENSING DESIGN
- ISOLATION: BUILT-IN IN THE POWER MODULE
- PASSIVE BACKPLANE DESIGN
- DIMENSION: **ARD: 153(W) x 212(H) x 190(D); ARI: 167(W) x 189(H) x 190 (D);**
- CONNECTION: 48 PINS CONNECTOR (EPT PART NO. 109-40064 OR EQUIVALENT)
6 PINS CONNECTOR (POSITRONIC PART NO. PLB06M8000 OR EQUIVALENT) OPTIONAL FOR INPUT SOURCE FROM REAR SIDE
- I²C COMMUNICATION ABILITY (OPTIONAL)

REV	DESCRIPTION	DATE



容差公差: TOLERANCES:	XXX ±0.25
	.XX ±1.00
	.X ±1.250
投影法: PROJECTION:	第三角法

核准者: APPROVE BY:	日期: DATE:
製圖者: DRAWN BY:	日期: DATE:
檢查者: CHECK BY:	日期: DATE:

品名: MODEL NO:	圖號: PART NO:
新巨企業股份有限公司 ZIPPY TECHNOLOGY CORP. POWER DIVISION	圖號: DRAWING NO:
ARI1 外觀尺寸圖 1	圖號: FILE NO:
	圖號: SPEC:
	圖號: SHEET:
	圖號: OF:



ARI1 外觀尺寸圖 1