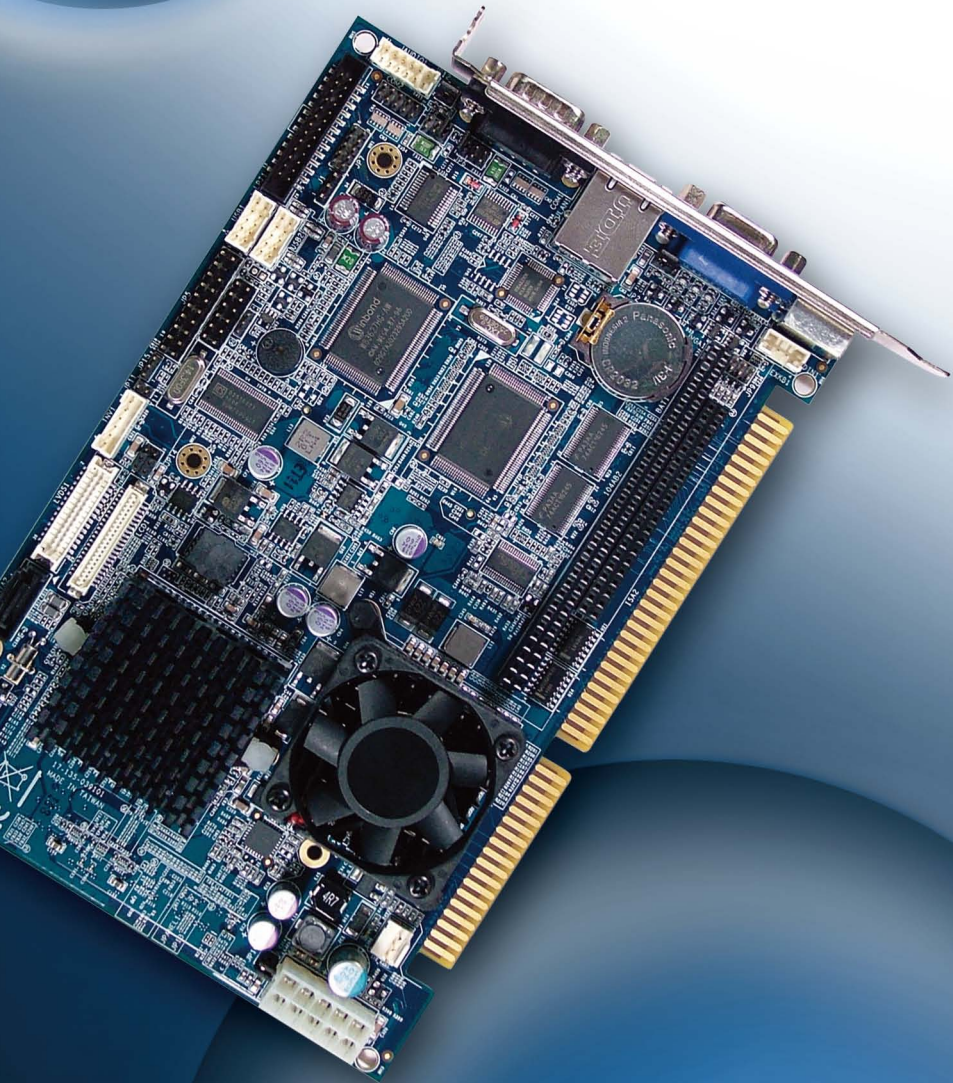


# SBC



## ISA-391LF

ISA VIA Nano/ULV Eden  
CPU Card w/VGA/SATA/  
CF/FDD/LAN

### Features :

- Support VIA Nano 1.3G/Eden ULV 500MHz
- Memory Support DDR2 667/533/400MHz SDRAM up to 2GB
- Support one 10/100M Ethernet Optional Giga Ethernet
- Supports 2 x SATA, 4 x USB 2.0 Port and 2 x Serial port
- Expansion Slots for one PC104 slot



### Protech Systems Co., Ltd.

No. 24, Lane 365, Yang Goang Street, Nei Hu District Taipei 114, Taiwan  
TEL: +886-2-8751-1111 FAX: +886-2-8751-1199  
E-mail: [sales@protech.com.tw](mailto:sales@protech.com.tw)  
<http://www.protech.com.tw>

### Protech Technologies Inc.

950 Fee Ana St, Suite B Placentia, CA 92870  
TEL: +1-714- 996-7200 FAX: +1-714- 996-7300  
Sales: [sales@protech-usa.net](mailto:sales@protech-usa.net)  
<http://www.protech-usa.net>

### Protech Japan Co., Ltd.

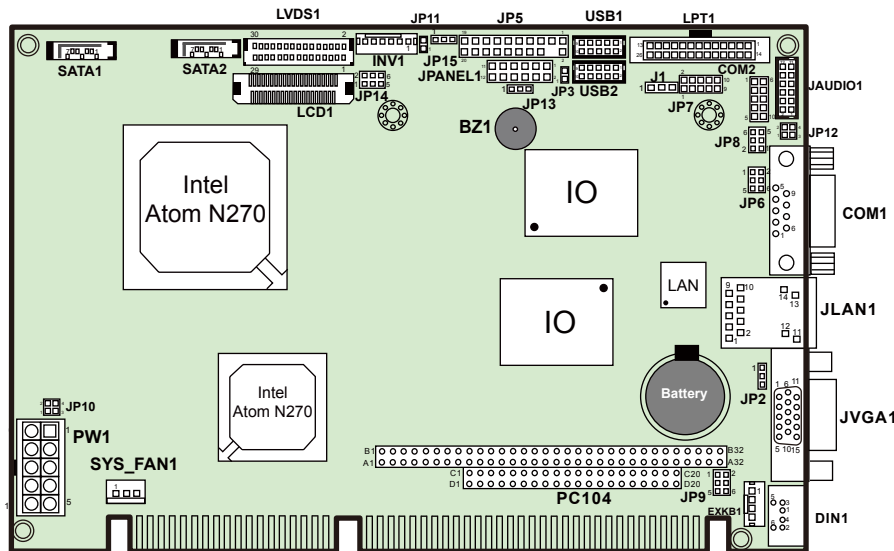
OSK Bldg, 6F, 6-25-14, Minami-ohi Shinagawa-ku, Tokyo, 140-0013  
TEL: +81-3-5753-8411 FAX: +81-3-3763-9282  
E-mail: [sam@protech-j.com](mailto:sam@protech-j.com)  
<http://www.protech-j.com>



ISO CERTIFIED  
9001 14001

# ISA-391LF

ISA VIA Nano/ULV Eden CPU Card w/VGA/SATA/CF/  
FDD/LAN



## Specifications

System	
<b>CPU Support</b>	VIA Nano 1.3G/Eden ULV 500MHz
<b>CPU Frequency</b>	Nano 1.3G/Eden ULV 500MHz
<b>Chipset</b>	VIA VX800
<b>DRAM</b>	2 x 200Pin DDR2 SO-DIMM to support 667/533/400MHz up to 2GB
<b>BIOS</b>	AMI BIOS
<b>Watchdog</b>	1~255 secs Watchdog timer selectable
<b>Power Supply</b>	Support AT/ATX Power
<b>Power Requirement</b>	+5V, +12V
<b>Power Consumption</b>	+5V : 9.66A /+12V : 1.67A (Nano1.3G)
<b>Dimension</b>	185mm x 122mm (7.28" x 4.8")
<b>Certificate</b>	FCC / CE

## I/O Chipset

<b>SATA Interface</b>	2 x S-ATA II connector
<b>SSD</b>	1 x compact flash slot (IDE)
<b>FDD Interface</b>	1 x FDD Silm type connector on board
<b>Expansion BUS</b>	1 x PC104
<b>Serial Port</b>	2 x COM port, COM 1 for RS-232, COM 2 for RS-232/422/485 1 x LPC Pin header onboard
<b>Parallel Port</b>	1 x Parallel Port (SPP / EPP / ECP)

<b>Keyboard</b>	PS/2 Connector, with mini DIN connector
<b>Mouse</b>	PS/2 Connector, with mini DIN connector
<b>LAN</b>	Realtek 8111DL (10/100/1000Mbps) E500M support Realek 8103E (10/100Mbps) Support Wake-on-LAN with ATX Power
<b>Audio</b>	Onboard HD Line-in pin header
<b>USB</b>	4 x USB 2.0

## Display

<b>Graphic</b>	Built-in VX800, share system memory (VX800 supports Direct X9); Supports VGA, LVDS, TTL
<b>LCD Interface</b>	18bit LVDS/TTL

## Environment

<b>OperationTemp.</b>	0°~60°C (32°~140°F)
<b>Storage Temp.</b>	-40°~85°C (-40°~185°F)
<b>Humidity</b>	Operation humidity 20~90%, Storage humidity 20~95%

## Ordering Information

<b>ISA-39 1LF-N1.3G</b>	ISA VIA Nano 1.3 CPU Card w/VGA/2COM/Giga LAN/SATA/CF
<b>ISA-391LF-E500M</b>	ISA VIA Eden ULV 500MHz CPU Card w/VGA/2COM/FDD/LAN/SATA/CF

All of trademarks and brand names are the property of their owners. Trademark "Protech" is the property of Protech Systems Co., Ltd. All information contained in this document is subject to change without any prior notice. This catalog is copyrighted in Sep. 2010.