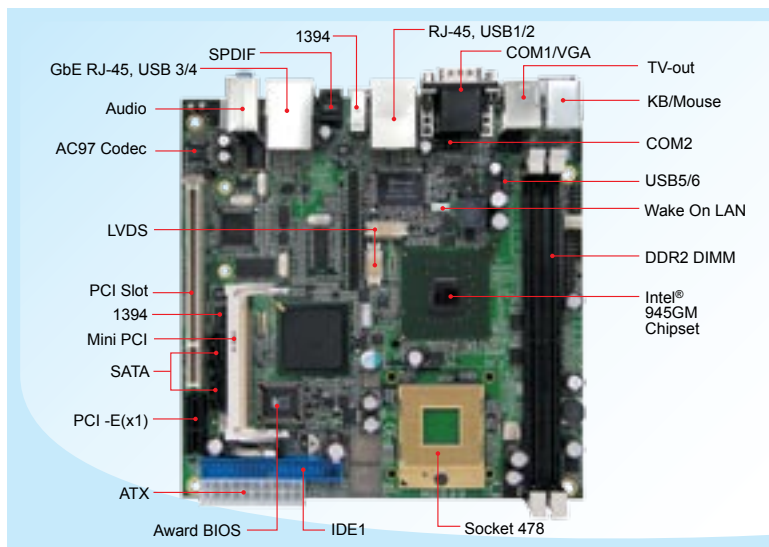


IPC Motherboards MB899

Socket 478 Intel® Core™2 Duo Mini-ITX Motherboard w/ Mobile Intel® 945GM Express Chipset

Intel® Core™2 Duo-Based



Features

- Supports Intel® Core™2 Duo processors
Up to 2.33GHz, 533MHz/667MHz FSB
- DDR2 DIMM x 2, Max. 4GB
- Supports CRT, LVDS, optional TV-out or DVI
- 10/100 BaseT and PCI Express Gigabit Ethernet
- Watchdog timer, 6 x USB 2.0 ports
- 2 x SATA, 6 x USB 2.0, Digital I/O, Watchdog timer
- 1 x PCI, 1 x PCI-E (x1), 1 x Mini PCI, Optional 1 x MiniPCle

System

CPU	Socket 478 Intel® Core™2 Duo / Core™ Duo / Solo processors, up to 2.33GHz
System Memory	DDR2 DIMM x 2, Max. 4GB
System Chipset	Mobile Intel® 945GM Express + ICH7M, 533MHz/667MHz FSB
BIOS	Award
Watchdog Timer	256 levels
SSD	Optional CF socket
H/W Monitor	Yes
Expansion Slot	1 PCI, 1 PCI-E (x1), 1 Mini PCI, Optional 1 Mini PCle

Graphics

VGA Controller	Intel® Graphics Media Accelerator 950 (GMA 950), supports CRT, RCA, S-Video and HDTV
VGA Memory	Supports DVMT 3.0; Max. shared memory - 224MB
LCD Interface	Supports 18+18 bits, single or dual channel LVDS

Ethernet

Controller	ICH7M integrated 10/100Mbps + PHY 82562ET Marvell 88E8053 PCI-E Gigabit LAN
Connector	Two RJ-45 on board

Multi I/O

Chipset	ICH7M, Winbond W83627EHF 1x IDE (UDMA33/66/100), 1x FDD, 1x KB, 1x Mouse 2x RS-232, 2x SATA
USB	6 ports on board (USB 2.0)
Audio	Built-in audio + AC97 codec, SPDIF-OUT + NS LM4950 amplifier
Others	IrDA, 1394, Digital I/O (4-in/4-out)

Mechanical and Environmental

Dimensions	170mm x 170mm (6.7" x 6.7")
Max. Power Requirement	Core™ Duo 2.0GHz w/ 1GB DDR2 x 2 +3.3V: 3.02A +5V: 2.81A +12V: 1.76A
Operating Temperature	0°C~60°C (32°F~140°F)
Storage Temperature	-20°C~80°C (-68°F~176°F)
Relative Humidity	10%~90% (non-condensing)

Ordering Information

MB899-R	Socket 478 Mobile Intel® 945GM Express Mini-ITX motherboard w/ VGA and 10/100 Ethernet (RoHS compliant)
MB899F-R	Socket 478 Mobile Intel® 945GM Express Mini-ITX motherboard w/ VGA, 1394, CF socket, 10/100 and Gigabit Ethernet (RoHS compliant)
ID390(C)-R	SDVO card with Chrontel 7308, 24+24 bit single/dual channel LVDS and Chrontel 7021 for CRT (RoHS compliant)
ID391-R	DVI card with Chrontel 7307C, DVI single or dual channel LVDS (RoHS compliant)

Remarks:

* Specifications are subject to change without prior notice.

For user's manual & datasheet download, visit www.ibase.com.tw