

SBC

PSB-511LF

Socket 478 Pentium® M
CPU Card w / VGA /
Audio / 2LAN

Features :

- Support Pentium® M / Celeron® M CPU up to 2.06GHz
- Equipped with Intel® 915GM Chipset with FSB 533MHz
- Memory Supports DDR 533 SDRAM up to 2GB
- Support Compact Flash
- Support 2 Gigabit LAN ports with Wake-on-LAN with ATX power

Intel®
Communications.
Alliance
Affiliate Member
BRONZE

 **PROTECH SYSTEMS**
It's a right choice

No. 24, Lane 365, Yang Guang St., Nei Hu District, Taipei 114, Taiwan, R.O.C.

Tel: +886-2-8751-1111

Fax: +886-2-8751-1199

Email: sales@protech.com.tw

<http://www.protech.com.tw>

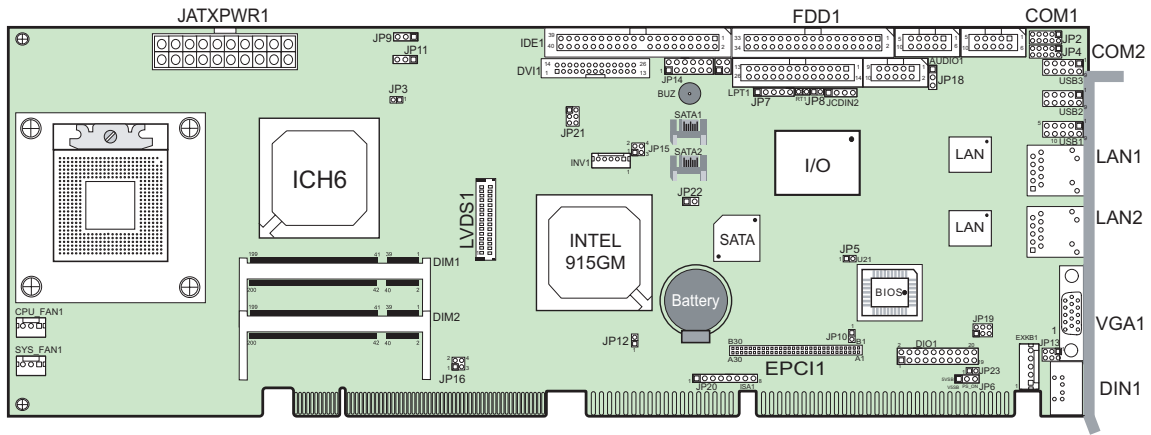


ISO CERTIFIED

9001 14001

PSB-511LF

Socket 478 Pentium® M CPU Card w / VGA / Audio / 2LAN



Specifications

System	
CPU Type	Intel® Pentium® M / Celeron® M processor
CPU Frequency	1.3~2.06GHz
Chipset	Intel® 915GME + ICH6M (FSB : 400/533MHz)
DRAM	2 x 200-pin DDR SO-DIMM, Support DDR2 533 SDRAM up to 2GB
BIOS	Phoenix-Award PnP BIOS, with VGA BIOS
Watchdog	1~255 secs Watchdog timer selectable w / Reset / NMI
Power Supply	Supports AT / ATX power
Power Requirement	+5V, +12V, -12V
Dimension	338.5mm x 122mm (13.33" x 4.8")

I/O Chipset	
IDE Interface	1 x 40-pin IDE (UDMA 33/66/100)
S-ATA Interface	2
CF	1 x compact flash slot (IDE)
Bus Interface	EPCI BUS
Serial Port	2 x COM ports, COM1 for RS232, COM2 for RS232/422/485 (for 16550 compatible type of UART)
IrDA	1 (SIR)

Keyboard	Mini DIN connector or external connector
Mouse	Mini DIN connector (selectable w / KB) or Y-cable
LAN	LAN 1 : Marvell 8052 (10/100/1000Mbps) LAN 2 : Marvell 8052 (10/100/1000Mbps) Support Wake-on-LAN with ATX power
Audio	AC '97 Codec, Realtek ALC202A with Line-in / Line-out / MIC
USB	6 x USB 2.0

Display	
Graphic	Built-in Intel® 915GM, share system memory, Support CRT, LVDS, DVI
LCD Interface	18/36-bit LVDS

Environment	
OperationTemp.	0°~60°C(32°~140°F)
Storage Temp.	-40°~85°C(-40°~185°F)
Humidity	Operation humidity 20~90%, Storage humidity 20~95%

Ordering Information	
PSB-511LF	PICMG P-M S478 VGA / Audio / 2COM / LAN (10/100/1000Mbps) (RoHS version)
Certificate: CE, FCC, CLASS A	

All of trademarks and brand names are the property of their owners. Trademark "Protech" is the property of Protech Systems Co., Ltd. All information contained in this document is subject to change without any prior notice. This catalog is copyrighted in May, 2006.