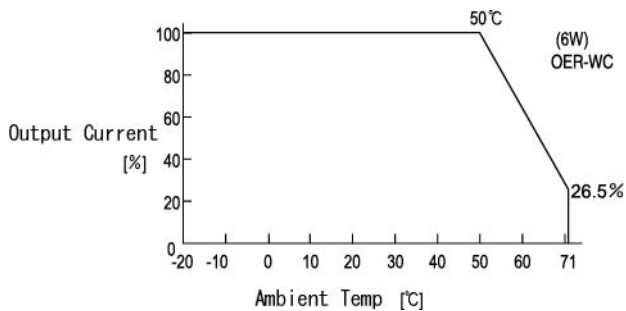


# 6 WATT DC-DC CONVERTER

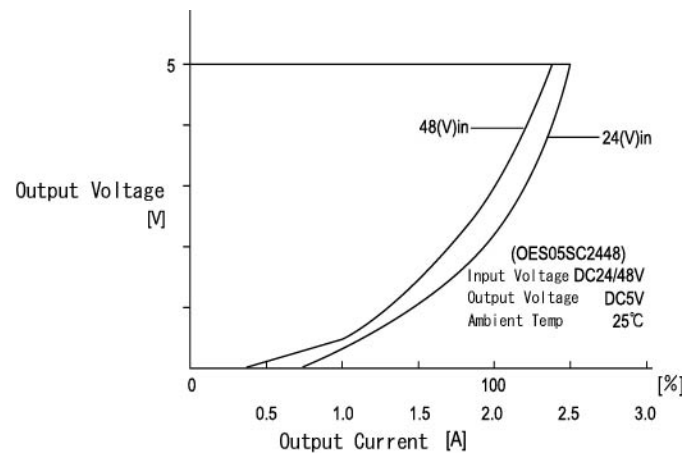
OER- SC / WC 2448  
SINGLE/ DUAL CHANNEL

Specifications OER**SC/WC2448 6WATTS/SINGLE/2 OUTPUT	Model											
	OER05SC2448	OER12SC2448	OER15SC2448	OER24SC2448	OER22WC2448	OER23WC2448						
<b>Input Characteristic</b>												
Input Voltage DC[V]	24	48	24	48	24	48	24	48	24	48	24	48
Input Range DC[V]	18-72											
Inrush Current [A]	Not specified											
Input Range												
at no load [mA](typical)	11	13	14	16	14	16	16	17	17	18	18	18
at full load[mA](typical)	261	133	306	155	302	153	309	154	323	161	303	153
Line Back Noise [mVp-p](typical)	500	300	500	300	500	300	500	300	500	300	500	300
Efficiency [%] (typical) *1	79	78	81	80	82	81	84	83	80	80	82	82

### Derating Curve

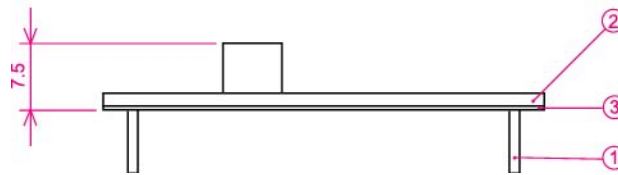
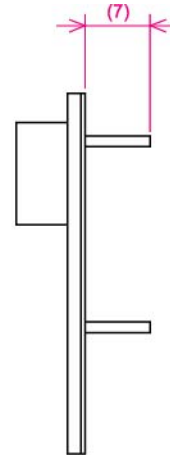
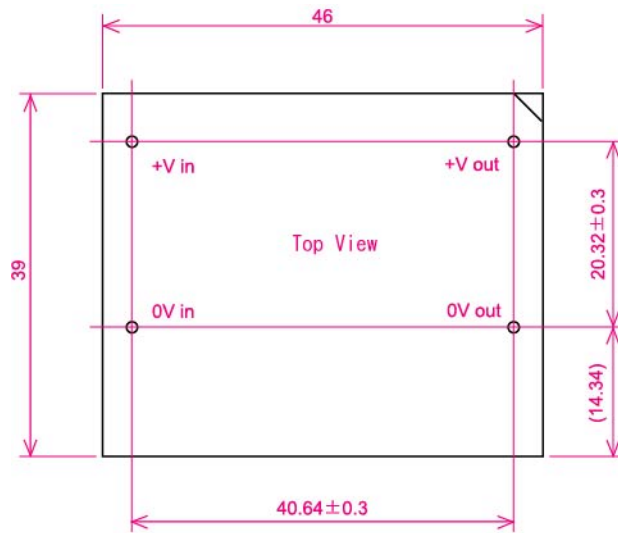


### OCP Curve



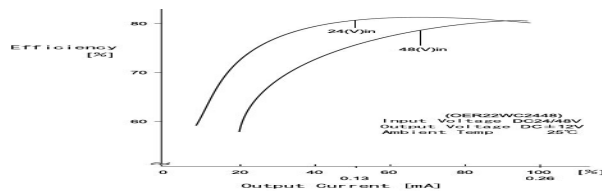
Specifications OER**SC/WC2448 6WATTS/SINGLE/2 OUTPUT	Model							
	OER05SC2448	OER12SC2448	OER15SC2448	OER24SC2448	OER22WC2448		OER23WC2448	
Output Voltage [V]	5	12	15	24	+12	-12	+15	-15
Output Current [A]	1	0.50	0.40	0.26	0.026-0.26		0.020-0.20	
Voltage Tolerance +/-[mV](maximum) *2	100	240	300	480	240	240	300	300
Ripple and Noise [mVp-p](maximum) *3	100							
<b>Regulation</b>								
a.Static Line Regulation [mV](maximum)	25	60	75	120	60	60	75	75
b.Dynamic Line Regulation +/-[mV](maximum) *4	200	480	600	960	480	480	600	600
c.Static Load Regulation +/-[mV](maximum) *5	25	60	75	120	1200	1200	1500	1500
+/-[mV](maximum) *6					480	480	600	600
+/-[mV](maximum) *7					60	60	75	75
d.Temperature Coefficient *8	0.03% °C ( maximum)							
e.Drift[mV](maximum) *9	40	75	90	135	75	75	90	90
f.Dynamic Load Regulation +/- [mV](maximum) *10	200	480	600	960	480	480	600	600
g.Recovery Time *4,*10	20mS(typical)							
Rise up time	10ms(maximum) at rated input/output							
Hold up time	Not specified							
<b>Functions</b>								
Overcurrent Protection	Current Limiting with automatic recovery at discontinuous short circuit conditions							
>=110% of Rated Output Current [A]	1.1	0.55	0.44	0.286	0.286	0.286	0.22	0.22
Overvoltage Protection	Not available							
Remote Sense	Not available							
Trimming of output voltage[mV]	Not available							
Input Fuse	Installed							
<b>Environmental</b>								
Operating Temperature								
(derating)	3.5%°C (50°C to 71°C) ( out of warranty > 71°C )							
Operating Humidity	20-90%/RH(non-condensing)							
Storage Temperature								
Storage Humidity	20 to 90%/RH(non-condensing)							
Withstanding Voltage	Primary-Secondary AC500V for 1minute							
Isolation Resistance	Primary-Secondary 50MΩ(minimum) by DC500V insulation tester							
Capacitance(input-output) [pF](typical)	2200							
Vibration	5-10Hz:10mm double amplitude,10-55Hz:2G,20minutes' period for 60minutes each along X,Y,Z axes(non-operating)							
Shock	30G							
Cooling	Convection							
Weight (typical)	open board type:7g							

## Dimension Diagram



- ① 1.0DIA PIN Material:BsB 2700 1/2H  
Copper Plating 1~3 $\mu$ m  
Solder Plating 3~8 $\mu$ m
  - ② Double-sided PCB FR4t=1.0
  - ③ t=0.5 Insulator V0
- \* Tolerance  $\pm 0.5$

## Efficiency Curve



Efficiency Curve/0ER22W02248