



Features

- ULV or standard voltage Intel® Celeron® M with FSB 400 MHz
- Maximum 1 GB DDR-266 SDRAM
- Intel® Extreme Graphics 2, dual channel LVDS
- IDE, Ethernet, USB 2.0, IrDA, KB/MS, AC'97
- Serial Console, EEPROM CMOS backup, USB boot/legacy, PXE™ support

Specifications

Core System

CPU	BGA type Intel® Celeron® M, 1.0 GHz, with zero L2 cache Intel® Celeron® M, 600 MHz, with 512 L2 cache
Memory	Single SODIMM socket for up to 1 GB DDR at 266 MHz
Chipset	Intel® 852GM and Intel® 82801DB I/O Control Hub 4
BIOS	Phoenix® AWARD PnP 4 Mb Flash with console redirection and CMOS EEPROM backup; USB boot/legacy and PXE support
Hardware Monitor	Supply voltages and CPU and system temperature
Watchdog Timer	Software programmable 1-255 sec, generates system reset
Expansion Busses	32-bit PCI rev. 2.2 and ISA

Video

Chipset	Intel® Extreme Graphics 2 (Intel® 852GM chipset)
CRT Interface	Analog VGA support up to QXGA 2048 x 1536 resolution
LVDS Interface	Dual channel 18-bit up to 1600 x 1200 resolution

Audio

Chipset	Integrated in Intel® 82801DB Southbridge
Audio Codec	VIA VT1616 AC'97 ver. 2.0 compatible

LAN

Chipset	ICH4 integrated Intel® 82562 compatible 32-bit PCI LAN controller
Interface	10/100 Mbps with Wake-on-LAN and Alert on LAN support

Multi I/O

HDD	Dual channel IDE with UDMA 33 support
USB	Four USB 2.0 ports
Serial	Two high speed RS-232C ports (COM1/COM2)
IrDA	Supports SIR IrDA 1.1 compliant
Parallel	SPP, EPP, and ECP mode (pin out shared with FDD)
FDD	One drive (pin out shared with LPT)
Keyboard & Mouse	One PS/2 keyboard and one PS/2 mouse

Power Specifications

Input Power	AT mode (5 V only) and ATX mode (5 V and 5 Vsb)
Power States	Support S0, S1, S4, S5
Power Consumption	12 W typical (with Intel® Celeron® M 1 Ghz zero cache and 512 MB DDR)

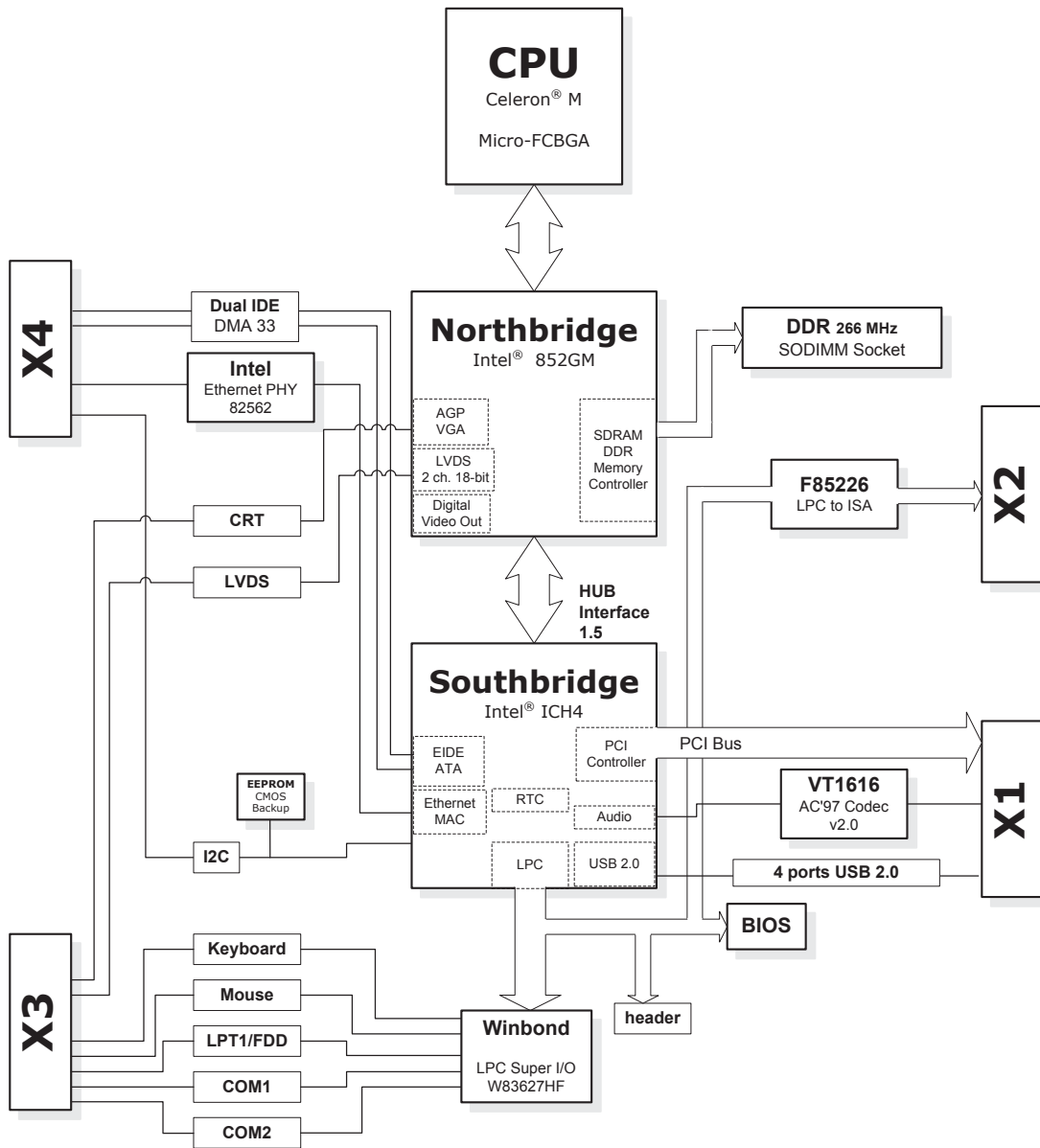
Mechanical and Environmental

Operating Temp.	0° to 60°C
Storage Temp.	-20°C to 80°C
Humidity	5% to 95% relative humidity, non-condensing
Shock	15G peak-to-peak, 11ms duration, non-operation
Vibration	Non-operation: 1.88 Grms, 5-500 Hz, each axis Operation: 0.5 Grms, 5-500 Hz, each axis
Form Factor	ETX® rev 2.7, size 95 mm x 114 mm
Certifications	CE, FCC

Operating Systems

Standard Support	Windows® XP 32-bit
	Windows® NT 4.0
	Windows® NT 2K
	Linux® 2.6.x
Extended Support	Embedded XP BSP
	Windows® CE 5.0/6.0 BSP
	Linux® 2.6.x BSP
	Vxworks 5.5 BSP
	AIDI I²C Library for Win32, WinCE and Linux®

Functional Diagram



Ordering Information

Modules

Model Number	Description/Configuration
ETX-IM266-C0600	ETX® Module with Intel® Celeron® M processor at 600 MHz with 512 MB L2 cache
ETX-IM266-C100Z	ETX® Module with Intel® Celeron® M processor at 1 GHz with zero L2 cache

Accessories

Model Number	Description/Configuration
Heat Spreader	
HTS-IM333-B	Heatspreader for ETX-IM266 (for LV and ULV BGA CPU) with threaded standoffs
Passive Heatsinks	
THS-IM333	Low Profile Heatsink for ETX-IM266 (BGA CPU) with threaded standoffs