

4U Type N+1 Redundant Power Supply

EFRP-3250/3300

ATX12V

500+250 watts Output Power
600+300 watts Output Power
N+1 Redundant Configuration
Meet 4U Rackmount System



Dimensions: 150(W) x 86(H) x 290(D) mm

Features:

- ⦿ Compact size Module Design
- ⦿ PSII size Compatibilities
- ⦿ Quick Removable Application
- ⦿ Active power Factor Correction
- ⦿ Universal Power Input
- ⦿ Current Sharing on +5V, +3.3V & +12V
- ⦿ Remote DC Sense on +5V and +3.3V
- ⦿ Power Fault Alarm Signals
- ⦿ Front panel LED to Indicate Power Status
- ⦿ Over Voltage Protection
- ⦿ Over Current Protection
- ⦿ Over Power Protection
- ⦿ Short Circuit Protection
- ⦿ MTBF >100,000 Hours

General Specifications:

- ⦿ Input Range: 100 to 240 VAC, +/-10%
- ⦿ Power Factor: 0.95 minimum
- ⦿ Efficiency: 65% minimum, at full load
- ⦿ Hold up Time: 20mS minimum, at full load
- ⦿ PSON (Remote ON/OFF): TTL compatible signal
- ⦿ Power Good: 100 to 500 ms, TTL compatible signal
- ⦿ Cooling Fan: 40x40x28 mm (SANYO)
- ⦿ Operating Temperature: 3250: 0 to 50 degree
3300: 0 to 40 degree
- ⦿ Operating Humidity: 20 to 90 %

Agency Requirements:

- ⦿ Harmonic: Meet EN61000-3-2 standards
- ⦿ EMI/RFI: CE, FCC class B and CISPR class B
- ⦿ Safety: UL, cUL, CB, TUV

Electrical Specifications:

Regulation, Ripple & Noise:

Output	+5V	+3.3V	+12V	-5V	-12V	5Vsb
Load Regulation	± 5%	± 5%	± 5%	± 5%	± 5%	± 5%
Cross Regulation	± 5%	± 5%	± 5%	± 5%	± 5%	± 5%
Line Regulation	± 1%	± 1%	± 1%	± 1%	± 1%	± 1%
Ripple & Noise	60mV	60mV	120mV	100mV	120mV	70mV

Input and Output Ratings:

Model No	Input				Load	Output					
	Voltage	Frequency	Current	Watt		+5V	+3.3V	+12V	-5V	-12V	5Vsb
EFRP-3250	100 - 240 VAC	47-63 Hz	10A max	500W	Max Load	40A	35A	32A	0.5A	1A	3A
					Min Load	3A	2A	2A	0A	0A	0A
EFRP-3300	100 - 240 VAC	47-63 Hz	12A max	600W	Max Load	50A	40A	34A	0.5A	1A	3A
					Min Load	3A	2A	2A	0A	0A	0A

Note: 1. The +5 & +3.3 Volt combine total output shall not exceed 340W for EFRP-3250 and 370W for EFRP-3300.

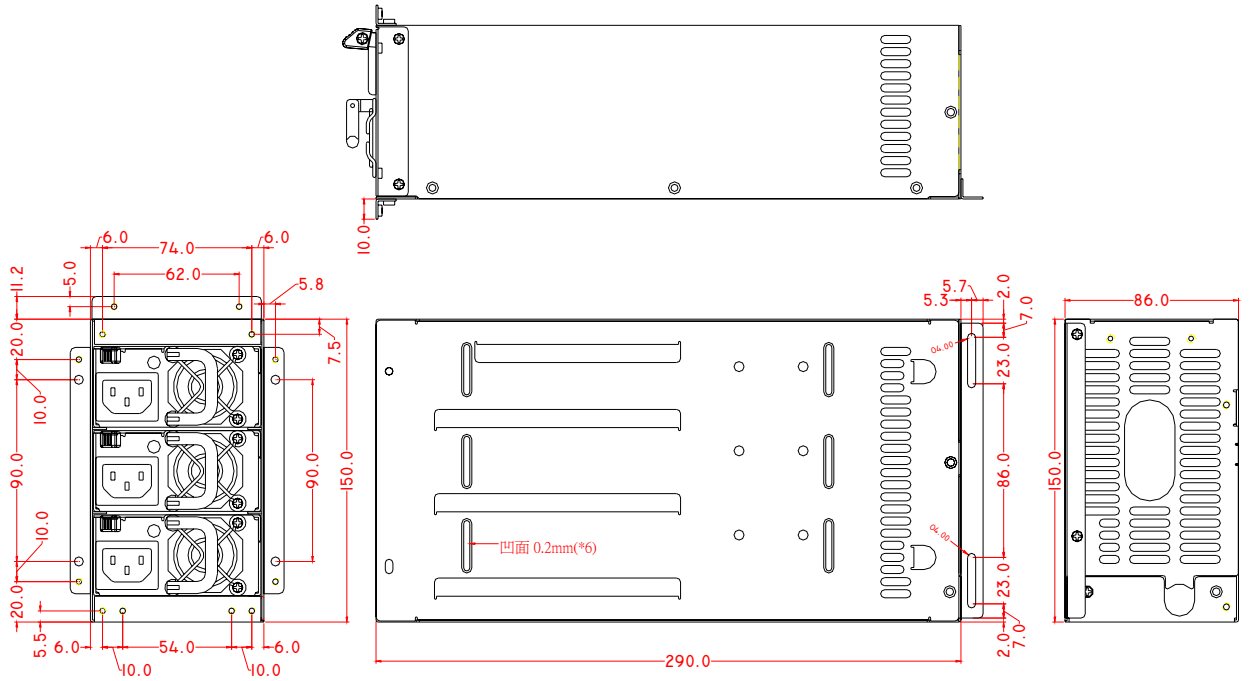
2. The +5, +3.3 and +12 Volt combine total output shall not exceed 480W for EFRP-3250 and 580W for EFRP-3300.

3: Noise bandwidth is from DC to 20 MHz.

4U Type N+1 Redundant Power Supply

EFRP-3250/3300

Dimensions (Unit: mm):



Rev 1.2 May. 29, 03