

# IAC-F849

Full-Size PICMG 1.3 SBC, Intel Core 2 Duo, Dual Core Pentium 4 LGA775 with VGA/ SATA/ LAN/ USB/ CF/ COM/ Mini-PCI and optional Audio

VGA

SATA

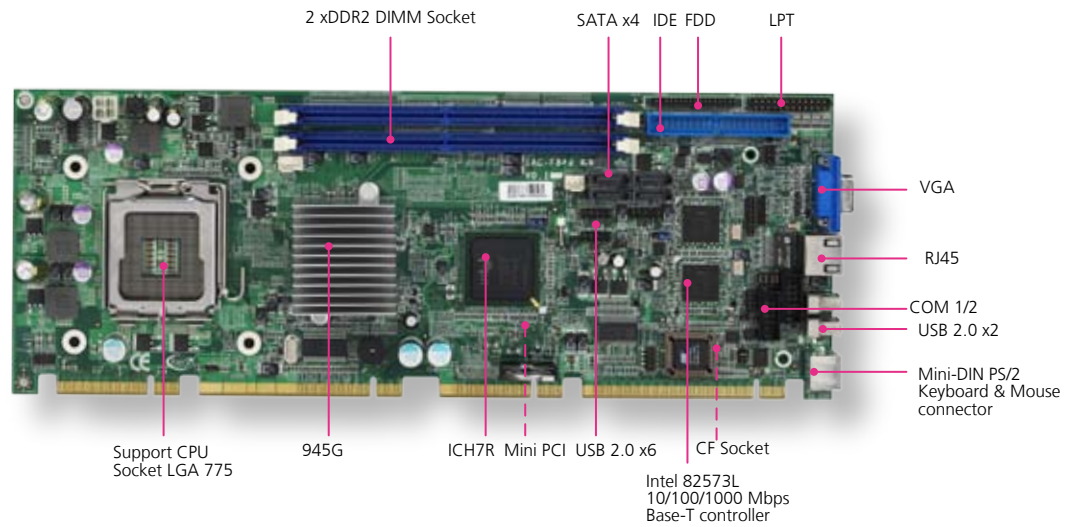
Gb LAN

USB

CF

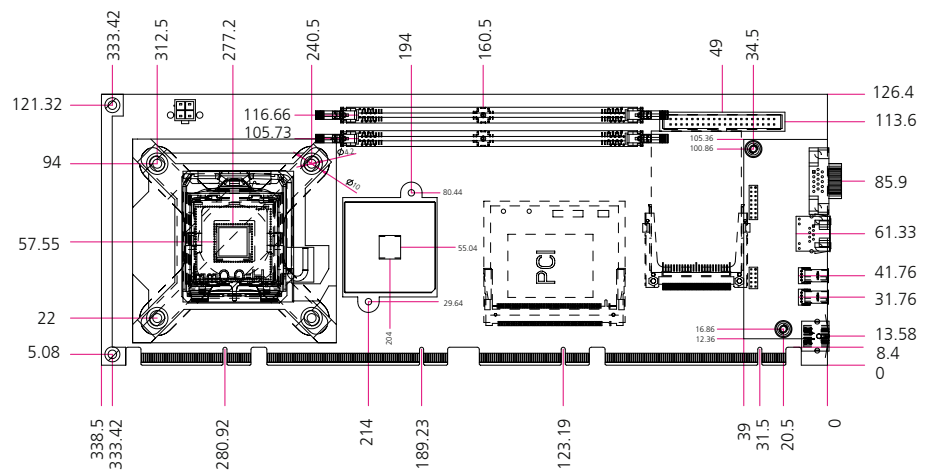
COM

Audio



## FEATURES

- Support Intel Core 2 Duo, Dual Core Pentium 4/D , LGA775
- Intel 82945G chipset with FSB 533/800/1066MHz supports Hyper-Threading Technology
- Two DIMM up to 2GB DDR2 400/533/667 Non-ECC SDRAM
- Dual Intel 82573L 10/100/1000Mbps LAN
- Type II CF, Mini-PCI socket
- PICMG 1.3 Compliant



**FEATURE DESCRIPTION**

<b>Platform</b>	Form Factor	Full-size, PICMG 1.3
	Processor	Supports LGA775 Intel Core 2 Duo, Dual Core Pentium 4/D with 533/800/1066MHz FSB
	Chipset	Intel® 82945G / 82801GB ICH7R
	BIOS	Award Flash BIOS
	Cache Memory	Processor Built-in
<b>System Memory</b>	Technology	DDR2 400/533/667 SDRAM, Dual-Channel
	Max Capacity	2GB
	Socket	240-pin DIMM x2
<b>Storage Interface</b>	Hard Drive Interface	IDE x1, Serial ATA II x4
	SSD (CF Socket)	Compact Flash II x1
<b>Networking</b>	Speed	10/100/1000 Mbps
	I/O	RJ45 x1 , Option RJ45 x1 on Bracket
	Controller	Intel 82573L x2
<b>Display</b>	Controller	Intel® 82945G GMCH integrated Graphic Media Accelerator 950 built-in high quality 2D/3D engine and High definition streams for MPEG playback
	Shared memory	DVMT(UMA )mode, 1MB/8MB of memory Pre-allocated
	Output	VGA
<b>Audio</b>	Codec	Realtek ALC203 AC97 audio codec
	I/O	Mic-in, Line-in, Speaker-out via add on bracket Module
<b>I/O Interface</b>	Floppy Drive Interface	FDD header 2.0mm x 1
	Serial Port	RS-232 x1, RS-232/422/485 x1
	Parallel Port	LPT Pin Header 2.54mm x 1
	Universal Serial Bus	6 (v 2.0) Pin headers, 2 ports
	Serial ATA	4
	Digital I/O	4bit Digital I/O with pin-header (4 in/4 out)
	Bus interface	PCI-E/ PCI /ISA
	IR Interface	115k bps, IrDA 1.0 compliant with pin-header connector
<b>Hardware Monitoring</b>	Keyboard & Mouse	Mini-DIN PS/2 x1
	Controller	iTE8712F-S Super I/O including CPU temperature, Voltage and FAN Monitoring
	RTC	RTC with Li-Battery
Watchdog timer	256-level time-out intervals	
<b>Cooling</b>	Heatsink & Fan	
<b>Expansion</b>	Mini-PCI x1	
<b>Environmental Parameters</b>	Temperature, ambient operating	0~60°C (32~140°F)
	Humidity (RH), ambient operating	5~95% relative humidity, non-condensing
	Storage Temperature	-20~70°C (-4~158°F)
<b>Physical Dimensions</b>	Dimensions	338x122mm (13.3" x 4.8")
<b>Power</b>	Input	+12V ,+5V,-12V power input
	Form Factor	ATX support
<b>Compliance</b>	CE, RoHS	

**ORDERING INFORMATION**

<b>IAC-F849A</b>	2 x Gb LAN + GMA950 VGA + Audio module
<b>IAC-F849B</b>	1 x Gb LAN + GMA950 VGA
<b>IAC-SL01</b>	Audio and Gb LAN module

**OPTIONAL ACCESSORIES**

ITEM	DESCRIPTION	PART NUMBER
<b>IAC-SL01</b>	RJ45 x1, AC97 audio Line-out, Line-in and Mic-in by Phone-jack	

**About Lanner**

Founded in 1986 and publicly listed (TAIEX 6245) since 2003, Lanner Electronics Inc. is an ISO 9001 certified designer and manufacturer of reliable, frontline security, storage and applied computing platforms and solutions. With headquarters in Taipei, Taiwan and branches in the U.S., India, and China, Lanner is uniquely positioned to deliver custom technical solutions with localized, value-added service.

**Contact information**

Lanner Electronics Inc  
7F, 173, Section 2 Datong road  
Sijhih City, Taipei County 221, Taiwan

**T** +886 2 86926060

**F** +886 2 86926101

**E** sales@lannerinc.com

**W** www.lannerinc.com