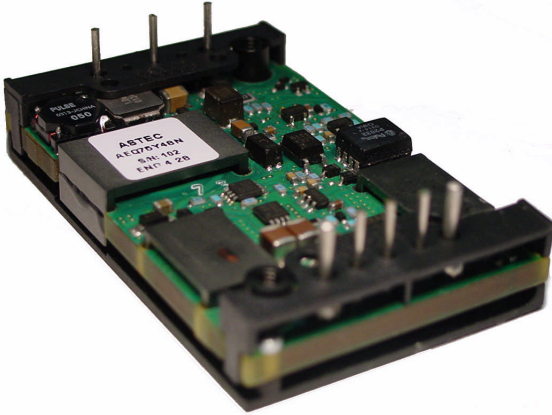


75 Amps AEQ75Y48

High Efficiency Quarter Brick



Total Power: 135W
Input Voltages: 48V
No. of Outputs: Single

Electrical Specs

Input

Input Range 36 to 75 VDC
Input Surge 100V /100ms
Efficiency 89% typical

Output

Output Current 75A max
Line/Load Regulation <0.15%Vo typical
Noise/Ripple 25mV typical
Remote sense Up to 10% of Vo
Transient Response 4% deviation typical
50% to 75% Load change
0.1A/μs Slew Rate
100μs recovery

Overvoltage Protection 120% Vo (autorecovery)
Current Limit 110% Io (autorecovery)
Switching Frequency 500kHz

Control

Voltage Adjust 90 to 110% Vo
Enable TTL compatible
(Positive or Negative Logic options)

Special Features

- High Efficiency
- Baseplate construction
- -40°C to +85°C Ambient Air or up to +100°C Baseplate Operating Temperature Range
- Industry standard package 1.45" x 2.30"
- Redundant output power pins
- Startup and stable operation at high capacitive load
- Remote sense compensation
- Regulation to zero load
- Fixed frequency switching
- Basic insulation

Environmental

Operating temperature range:
-40°C to +105°C Baseplate
Storage temperature: -40°C to +125°C
Overtemperature protection: 115°C PCB temperature (Typical)
MTBF: > 1 million hours

Safety

UL, cUL 60950

TUV EN60950

AMERICAS

5810 Van Allen Way
 Carlsbad, CA 92008
 Telephone: 760-930-4600
 Facsimile: 760-930-0698

EUROPE

Astec House, Waterfront Business Park
 Merry Hill, Dudley
 West Midlands, DY5 1LX, UK
 Telephone: 44 (1384) 842-211
 Facsimile: 44 (1384) 843-355

ASIA

Units 2111-2116, Level 21
 Tower1, Metroplaza
 223, Hing Fong Road
 Fwai Fong, New Territories
 Hong Kong
 Telephone: 852-2437-9662
 Facsimile: 852-2402-4426



AEQ75Y48

Ordering Information

Input Voltage	Output Voltage	Output Current	Efficiency	Model Number
36V to 75V	1.8V	75A	89% Typ	AEQ75Y48(N) - (6)(3)

OPTIONS

- suffix "N" = Negative Logic Enable (without suffix "N" designates Positive Logic Enable)
- suffix "-3" = single pair of output pins (Pins 4 and 10 unstuffed)
- without suffix "-3" = double pair of output pins (Pins 4, 5, 9, 10 are present)

Pin Assignments

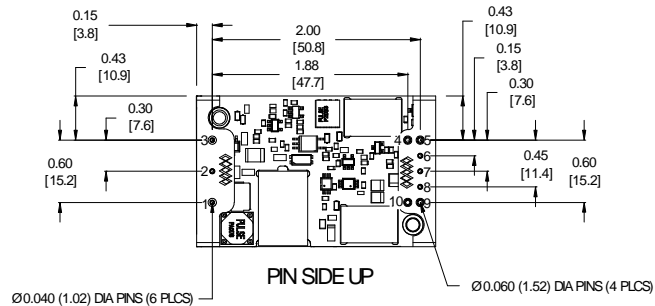
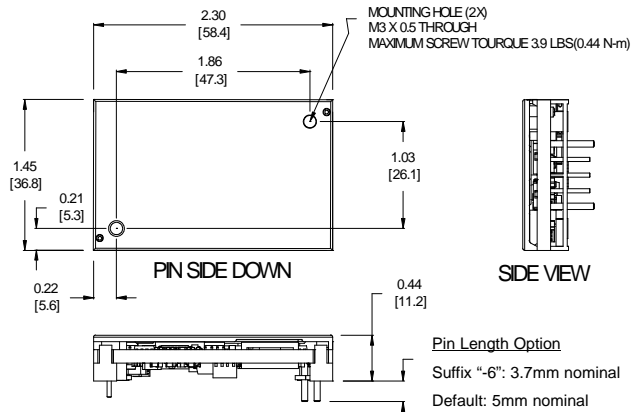
Single Output

1. +Vin
2. Enable
3. - Vin
4. Common (OPTIONAL)
5. Common
6. - Sense
7. Trim
8. + Sense
9. + Vout
10. + Vout (OPTIONAL)

Notes:

1. Nominal values apply with sense pins connected to +Vout and Ground Return with other control pins unconnected.
2. Consult the Technical Reference Notes for more detailed information.
3. Dimensions provided in the mechanical outline are nominal values.
4. Specifications subject to change without notice.
5. 1 Year warranty

* Astec reserves the right to make changes to the information contained herein without notice and assumes no liability as a result of its use or application. (REV01: JULY 22, 2005)



Astec Industry Standard