



## Air moving solutions made simple



AC Fans  
DC Fans



AC Blowers  
DC Blowers



AC Impellers  
DC Impellers



AC  
Motors



Accessories

### Search

Part/Model #  
Stock Check  
Cross-Reference  
Keyword

Phone: 858.348.6200 FAX: 858.566.4577

Distributors

Find a Rep

Contact Us

**Galaxy - GL24B4X - 032921 - No**  
(Family) (Model) (Part #) (In Stock)

### Electrical Specifications

Operating Voltage:	24 Volts
Voltage Range:	12 - 28 Volts
Power Supply:	15.0 Watts
Line Current:	0.62 Amps
Locked Rotor Current	1.35 Amps
Nominal Speed:	3200 RPM

### Mechanical Specifications

Dimensions:	5.0 x 5.0 x 1.5 in
Weight	21.9 oz
Max Airflow @ 0 in H <sub>2</sub> O	150.0 CFM
Max Pressure @ 0 CFM	0.486 in H <sub>2</sub> O
Noise	53.6 dBA



Detailed Drawing

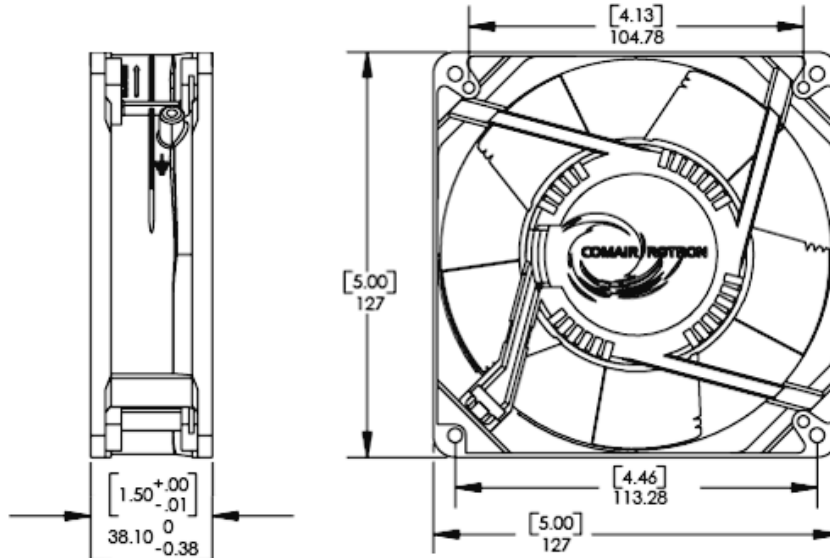


Printer-Friendly Datasheet

- More Products
- Heat Sinks
- Fan Accessories
- Engineering Tools
- Airflow Calculator
- Thermal Calculator
- Unit Conversions
- Application Notes
- Custom Solutions
- Company Info
- Contact Info
- Technical Capability
- Certifications
- Terms & Conditions
- Employment Ops

Gateway Online

### Mechanical Drawing



## Fan Performance Curve

## Fan Configuration Options

Galaxy (Family)	-	GL24B4X (Model)	-	032921 (Part #)	-	No (In Stock)
Fan Speed Options		Fan Bearing Options		Fan Airflow Direction Options		Fan Termination Options
Extra-High Speed (4100 RPM)		Ball Bearings		Flow L (CW Rotation)		Leads
High Speed (3800 RPM)		Sleeve Bearings		Flow R (CCW Rotation)		Terminals
Full Speed (3200 RPM)						
7/8 Speed (2700 RPM)						
3/4 Speed (2400 RPM)						

## Fan Monitoring Options

**No Fan Monitoring Options Required**

**Add Tachometer (2 pulses per revolution.)**

**Add Fan Performance Sensor (FPS)**

**Fan Speed Control Options**

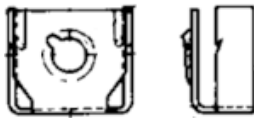
**Add ThermaPro-V Fan Speed Control**

**Environmental Protection Options**

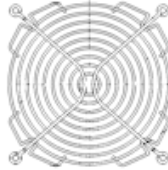
**Add Enviroshield Environmental Protection**

**Accessories** ([Click on part number for detailed drawing.](#))

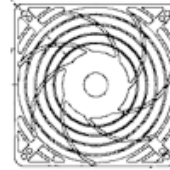
**550113**  
**Mounting Clip**



**557216**  
**Finger Guard**



**550651**  
**Finger Guard**



**Comair Rotron, Inc.**

Phone: 858.348.6200

FAX: 858.566.4577

[sales@comairrotron.com](mailto:sales@comairrotron.com)

**ThermaFlo, Inc.**

Phone: 972.312.8609

FAX: 972.312.8617

[info@thermaflo.com](mailto:info@thermaflo.com)

**Comair Rotron Europe, Ltd.**

Phone: +44.1527.520525

FAX: +44.1527.520565

[saleseurope@comairrotron.com](mailto:saleseurope@comairrotron.com)

**Comair Rotron Fan Company Ltd.**

Phone: +86.21.52260581

FAX: +86.21.52260597

[salesasia@comairrotron.com](mailto:salesasia@comairrotron.com)