

Main Features

- ◆ Supports Intel® Pentium® M/Celeron® M Processors with FSB 400MHz
- ◆ Intel® 852GM + Intel® 82801DB (ICH-4) Chipset
- ◆ Dual Realtek RTL8110SC Gigabit Ethernet
- ◆ Various Display I/O via VGA/LVDS
- ◆ One PCI-slot expansion
- ◆ 6x USB, 4x COMs and Dual CF sockets

Product Overview

NEX 602 is designed based on Mini-ITX main-board form factor (170mm x 170mm) and derived from NEX 600. The simplified specification of NEX 602 provides the cost-effective embedded board solution for system integrators. NEX 602 also supports Intel® Pentium® M / Celeron® M series processors by Intel® 852GM/ICH4 system chipset designed.

Specifications

CPU Support

- ◆ Intel® Pentium® M / Celeron® M processor with 400MHz FSB
- ◆ Intel® Embedded Processor List (Intel® Longevity CPU):
Celeron® M Processor (320 & 370)
Pentium® M Processor (745))
Pentium® M Processor 1.6GHz
- ◆ 400 MHz FSB support

Main Memory

- ◆ 1 x 184-pin DIMM, Support Non-ECC / Non-Register DDR memory up to 1 GB

Chipset

- ◆ Intel® 852GM Graphics Memory Controller Hub (GMCH)
- ◆ Intel® ICH4 I/O Controller Hub

BIOS

- ◆ Award System BIOS
- ◆ 4M-bit flash ROM
- ◆ Supports Soft off, Wake on LAN, RTC Alarm Power On and Power on after power failure

On-board LAN

- ◆ 2 x Realtek® RTL8110SC Gigabit Ethernet

- ◆ Supports Boot from LAN (PXE) and Wake on LAN (When 5Vsb power available)
- ◆ 2 x RJ-45 Jack with LED

Display

- ◆ Intel® 852GM GMCH Integrated, Max 64 MB of DVMT for graphics memory allocation
- ◆ Analog VGA interface:
1x DB15 VGA port
- ◆ Resolution up to 1600x1200 at 85 Hz, 1920 x 1400 at 60Hz
- ◆ LVDS interface: 1 x DF13 20-pin LVDS connector for internal connection Single (18bit) LVDS panel support
- ◆ CCFL interface: 1x7-pin JST (2.54mm) for LCD Panel Backlight Inverter Power

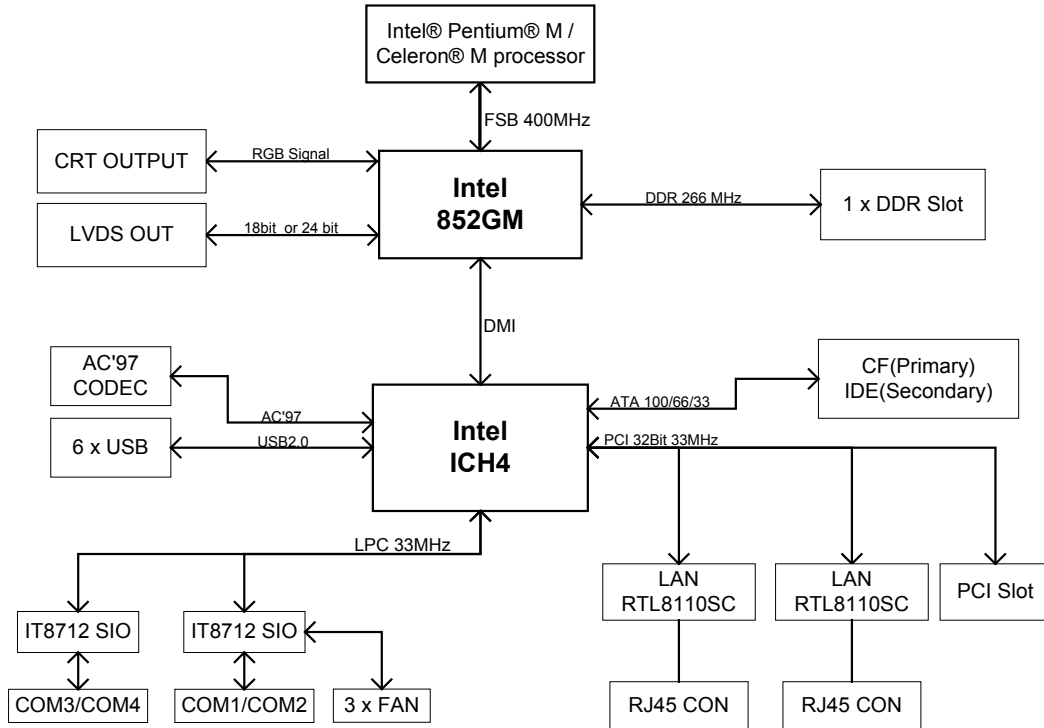
Audio

- ◆ VIA VT1613 AC97 Codec
- ◆ Support Line-out, Line-in, Mic-in

I/O Interface

- ◆ USB 2.0: 6 ports
- ◆ Serial port: 4 RS-232 ports, COM1-3 with DB9, COM4 with 2x5-pin box header (COM3 support RS-232/422/485)
- ◆ Parallel port: 1 port, with 26-pin box header (2.0 mm) , Bi-directional, EPP/ECP
- ◆ GPIO: Support 8 sets general purpose I/O each with TTL level (0V/5V) interface

Block Diagram



- FAN : 3 x fan JST (1x for CPU cooler, 2 x for System)
- 1 x 5-pin header for IrDA Tx / Rx
- 1 x on-board buzzer
- 1 x 2-pin power on switch
- 1 x 2-pin header for reset
- 1 x 2-pin header for power LED
- 1 x 2-pin header for HDD LED

Storage

- CF: 2 x Internal CompactFlash socket Support One Type I & II Compact Flash Card
- IDE: 1 x 44-pin IDE connector, support Ultra ATA100/66/33

Expansion

- 1 x PCI slot

Watchdog Timer

- Watchdog Timer is programmable by software from 1 second to 255 seconds (Tolerance 15% under room temperature 25°C)

On-board RTC

- On-chip RTC with battery backup
- 1 x External Li-Ion battery

System Monitor

- 4 voltages: +3.3V, +5V, +12V, Vcore
- 3 temperature: CPU, two external Temperature Sensors
- 3 fans Speed: CPU and System FANS

Dimensions

- Mini-ITX
170 mm (L) x 170mm(W)

Power Input

- Supports ATX / AT Mode (Default setting: ATX mode)

Environment

- Board level operating temperature: 0°C to 60°C
- Storage temperature: -20°C to 85°C
- Relative humidity:
Operating 10%~90%, non-condensing
Non-operating 5%~95%, non-condensing

Certifications

- CE approval
- FCC Class A

Ordering Information

- **NEX 602-SKT (P/N: 10G00060200X0)** RoHS Compliant
Mini-ITX Embedded Board with Intel® 852GM Chipset, support µFC-PGA Socket type Pentium® M / Celeron® M Processor, Realtek GbE x2 / 2x CF socket/ PCI
- **NEX 602-C65 (P/N: 10G00060201X0)** RoHS Compliant
Mini-ITX Embedded Board with Intel® 852GM Chipset, with Celeron® M 600MHz 512KB L2 ULV Processor Realtek GbE x2/ 2x CF socket/ PCI