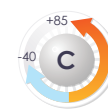
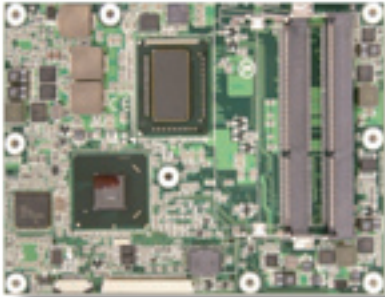


# COM-873E



**COM Express**

## Wide-Range Temperature Intel® 2nd Gen. Core™ i7/ Celeron® COM Express Basic Type 2 CPU Module



### Features

- Soldered Onboard 2nd Gen. Intel® Core™ i7/ Celeron® Processor
- Integrated Gigabit Ethernet
- Dual Channels 24-bit LVDS, Analog RGB, and DDI Port
- Support Dual Independent Displays
- **Wide Range Operating Temp.: -40 ~ 85°C**

### System

<b>CPU</b>	Soldered onboard Intel® Core™ i7-2610UE 1.5GHz or Celeron® 827E 1.4GHz processor
<b>Memory</b>	2 x DDR3 SO-DIMM sockets, supporting SDRAM up to 16GB
<b>Chipset</b>	Intel® PCH QM67 for COM-873E-2610UE Intel® PCH HM65 for COM-873E-827E
<b>BIOS</b>	AMI UEFI BIOS
<b>Watchdog Timer</b>	1~255 levels reset

### I/O

<b>USB Port</b>	8 x USB 2.0 ports
<b>Digital I/O</b>	8-bit programmable Digital Input/Output
<b>Expansion Bus</b>	1 x PCIe x16 lanes 5 x PCIe x1 lanes 4 x PCI masters LPC (Low Pin Count) interface
<b>Storage</b>	4 x Serial ATA ports: - 2 ports with 600MB/s HDD transfer rate - 2 ports with 300MB/s HDD transfer rate
<b>Ethernet Chipset</b>	1 x Intel® 82583V PCIe GbE controller
<b>Audio</b>	HD Audio Link

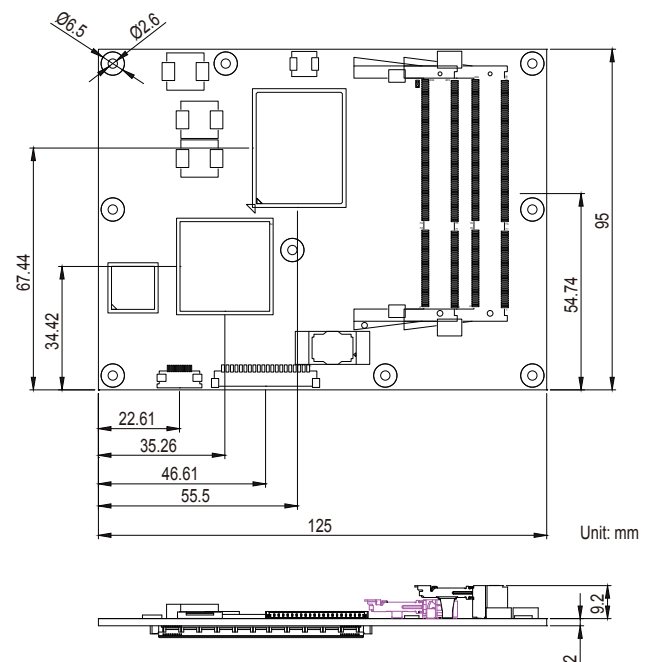
### Display

<b>Graphics Chipset</b>	Integrated Intel® HD Graphics 3000
<b>Graphics Interface</b>	Analog RGB supports resolution up to 2048 x 1536 @60Hz LCD: Dual Channels 24-bit LVDS, resolution up to 1920 x 1600 Support Dual Independent Displays 1 x DDI connector (optional)

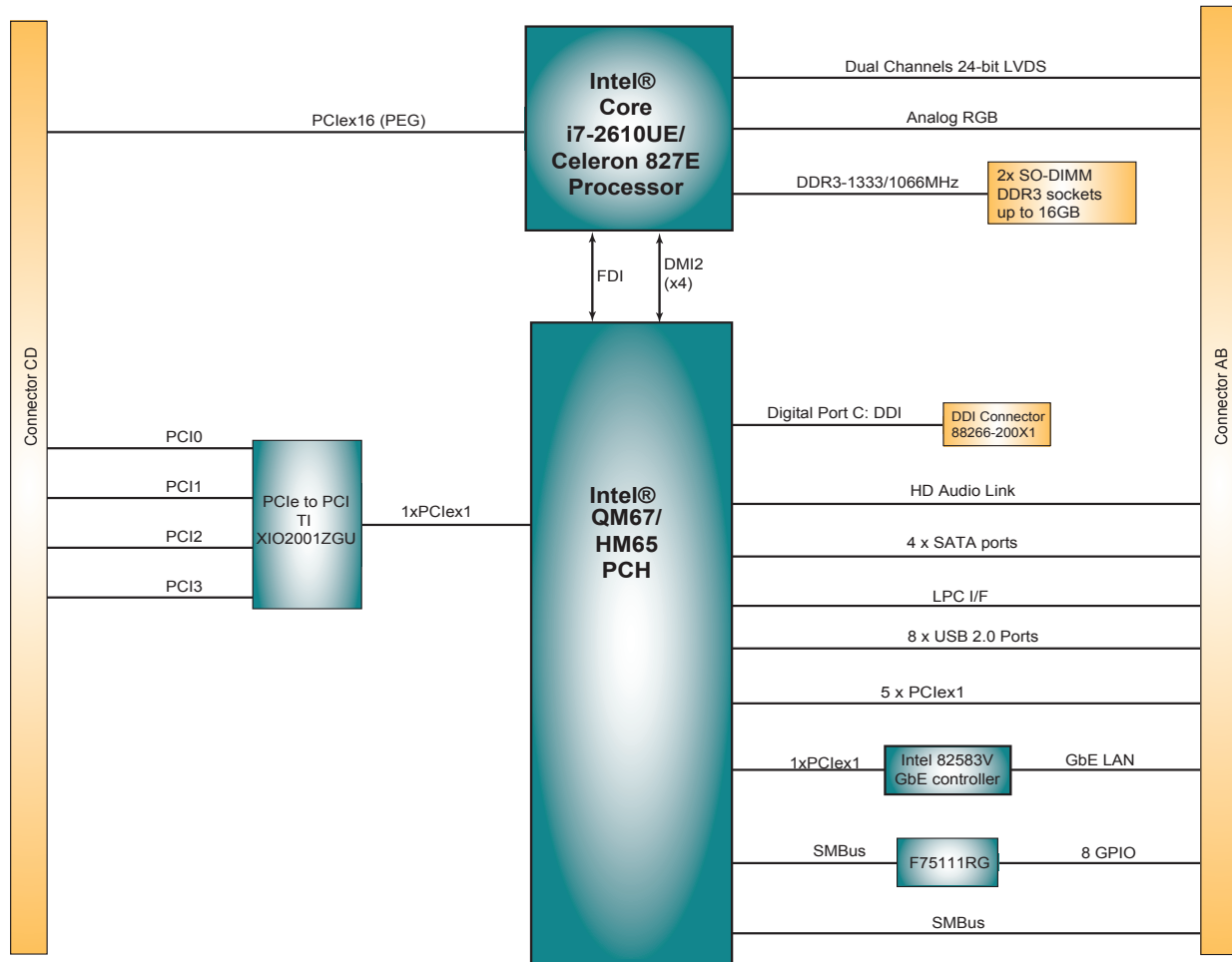
### Mechanical & Environmental

<b>Power Requirement</b>	+12V, 5VSB
<b>Power Consumption</b>	2.12A@+12V with Celeron® 827E (Typical)
<b>Operating Temp.</b>	-40 ~ 85°C (-40 ~ 185°F)
<b>Operating Humidity</b>	10 ~ 95% @ 85°C (non-condensing)
<b>Dimension (L x W)</b>	125 x 95 mm (4.9" x 3.7")

### Dimensions



## Block Diagram



## Ordering Information

**COM-873E-2610UE** Intel® Core™ i7-2610UE/ PCH QM67 WT COM Express CPU module

**COM-873E-827E** Intel® Celeron® 827E/ PCH HM65 WT COM Express CPU module

## Optional Accessories

**HS-67M1-F2** Heat spreader (125x95x11mm)

**HS-0000-W4** Universal evaluation heatsink kit w/ thermal pad (dimension: 125x95x22mm, only used on a flat type heatspreader)

**FCDB-1424** DisplayPort daughter board

See page 70

**PBE-1700-W R1.3** COM Express type 2 evaluation board in ATX form factor w/ W83627 Super IO

See page 66

**CBK-04-1700-00** Cable kit

- 1 x SATA cable
- 1 x COM port cable
- 1 x FDD cable
- 1 x IDE cable