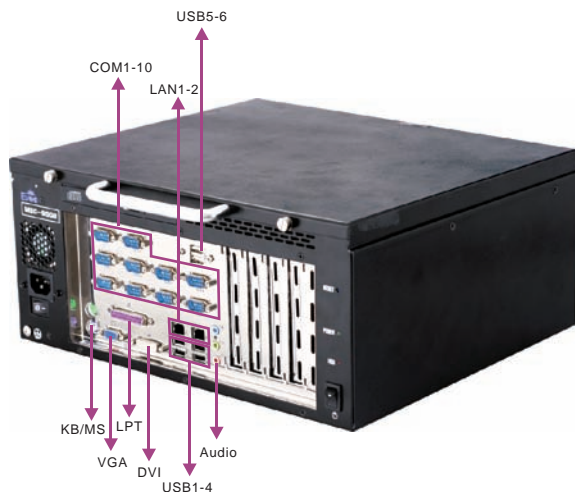
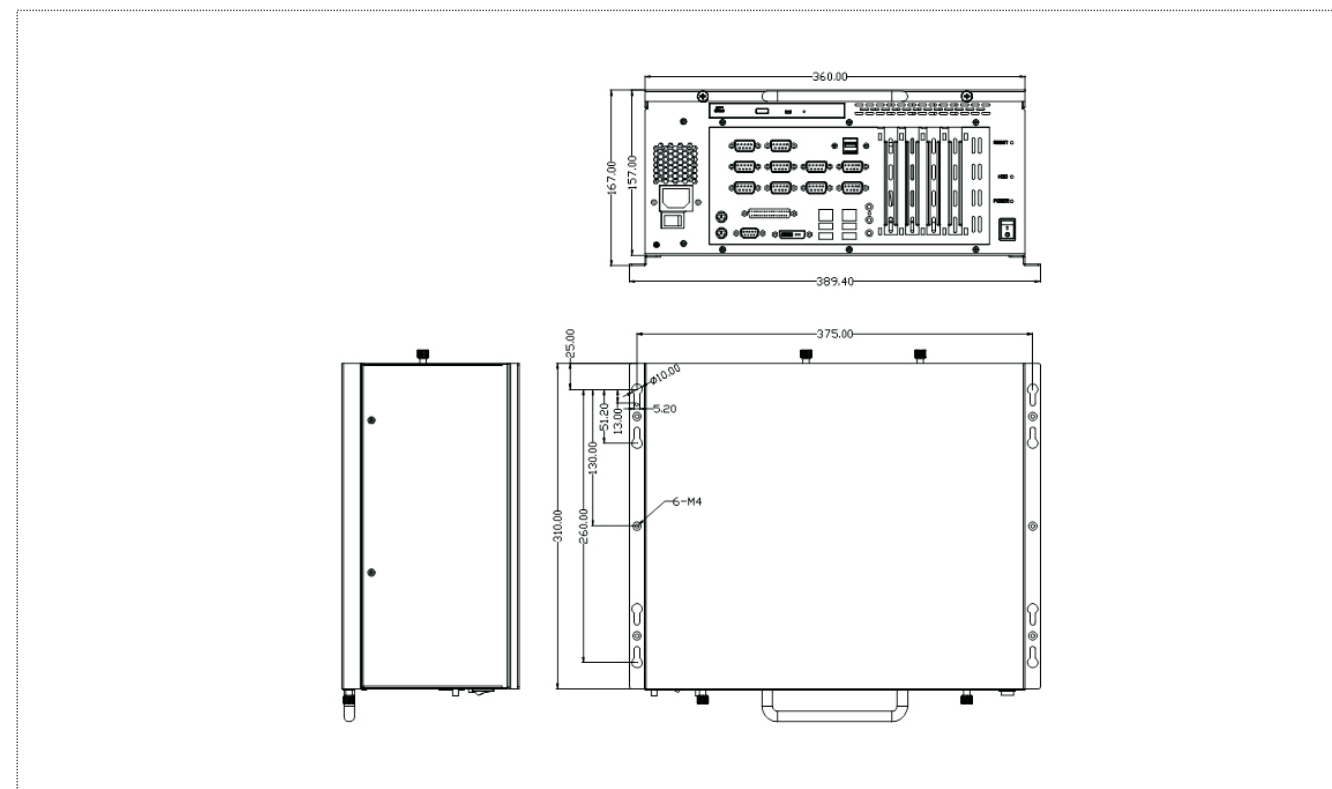


MEC-9002

Industrial Compact wallmount PC



Dimensions



Features

- Supports Intel® 533/667/800 FSB Core™ 2 Duo and Pentium® D processor
- 2 x 240-pin DIMM, up to 4GB DDR2 533/667/800
- 10 x RS-232, COM1 supports RS-232/422/485
- VGA+DVI, dual-display
- 1 x PCI-Ex1, 3 x PCI

Specifications

System

Processor	Supports Intel® 533/667/800 FSB Core™ 2 Duo and Pentium® D processor
Chipset	Intel® 945G + ICH7 chipset
Memory	2 x 240-pin DIMM, DDR2 533/800 up to 4GB
Expansion Interface	3 x PCI, 1 x PCI-E x1

Storage

IDE	1 x IDE
Serial ATA	4 x Serial ATA 150MB/S interface
Floppy	N/A
CF	1 x Compact Flash Socket Type I/II (optional)
DOC/DOM	N/A

I/O Interface

USB	6 x USB2.0
Serial Port	9 x RS-232, 1 x RS232/422/485(COM1)
Parallel Port	1 x LPT
IrDA	N/A
GPIO	N/A
Audio	Line-in, Speaker-out and Mic-in

Display

Chipset	Intel® 945G integrated
Memory	128MB shared memory
Resolution	VGA mode up to 2048 x 1536@75Hz, DVI mode up to 1600 x 1200@75Hz
Dual Display	Supports VGA + DVI independent dual-display

Ethernet

Chipset	REALTEK RTL8111C
Speed	2 x 10/100/1000Mbps
Connector	2 x RJ45

Mechanical and Environmental

Dimensions	360mm(W) x 310mm(D) x 167mm(H)
Reliability	MTBF ≥ 50000h; MTTR ≤ 0.5h
Operating Temperature	-10°C ~ 55°C
Storage Temperature	-40°C ~ 60°C
Operating Humidity	RH=93%, 40°C non-condensing

Power

Power Supply	ATX 300W high-reliability power supply
Power consumption	N/A

Operating System

Windows OS	Windows 2000/ Windows XP
Embedded OS	Linux/XP Embedded/Window CE

Test

Vibration	5 ~ 19Hz duration/1.2mm amplitude? 19 ~ 200Hz/1.2g acceleration
Shock	15g peak acceleration(11ms duration)
EMC/EMI	GB9254-1998 Class B

Optional Accessories

Part Number	Name	Description	Qty.
	AC power cable/RoHS	Length: 1500mm/USA standard/821	1
2192-011721	Driver CD/Protective film/RoHS	MEC-9002/ Long March series	1

Ordering Information

Part Number	Model Number	Description
0010-002680	MEC-9002-02/1.8G	Complete PC: Core? 2 Duo E4300 1.8G/2G/160G/EC9-1811VD2NA/ATX 300W/MEC-9002

1

PICMG

2

EPIC/EBX /XTX

3

BoxPC

4

HMI

1

PICMG

2

EPIC/EBX /XTX

3

BoxPC

4

HMI